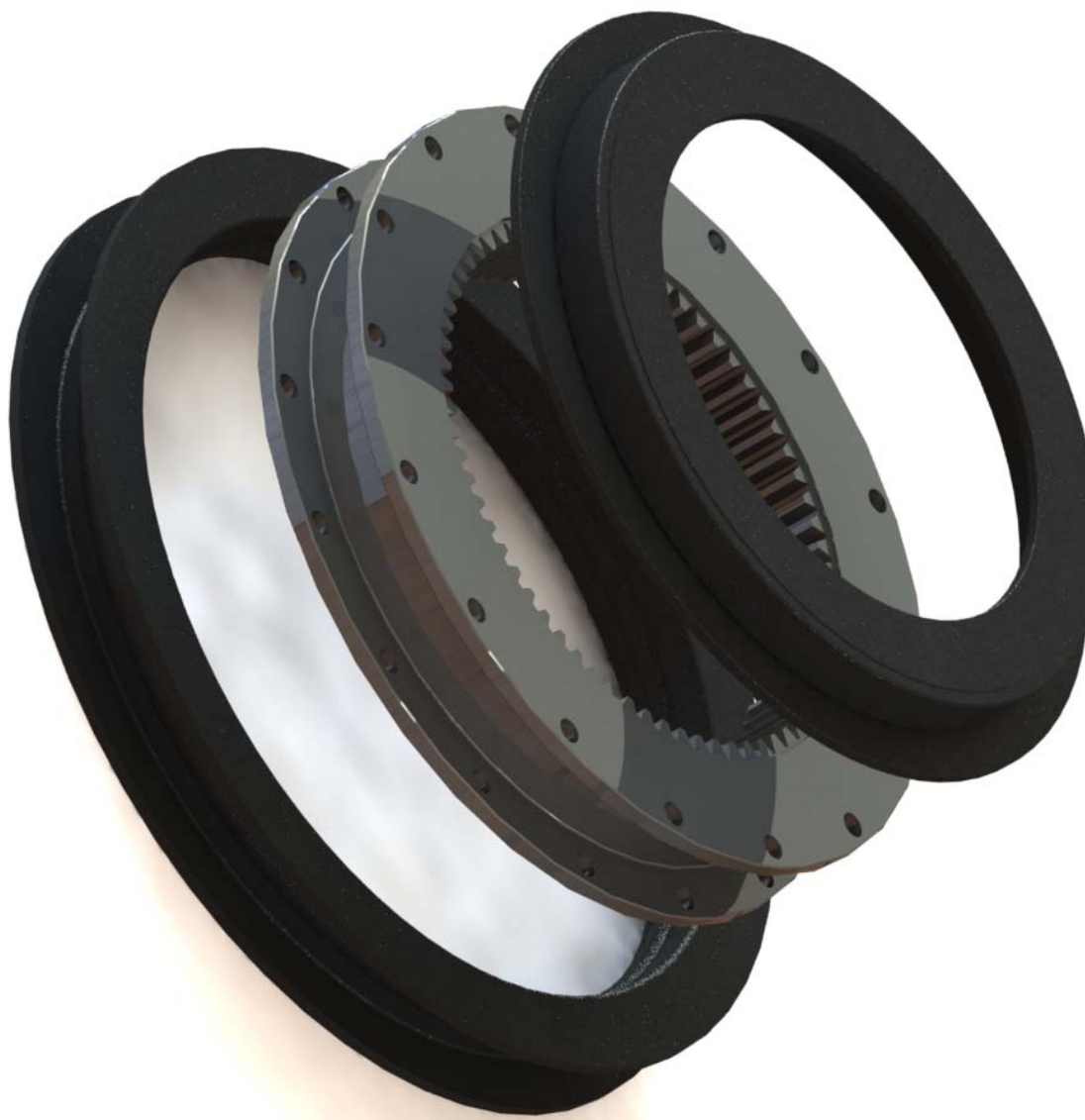
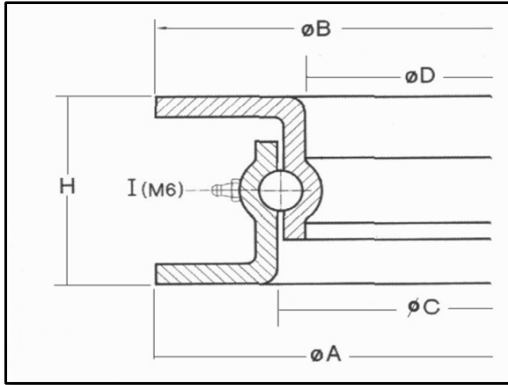




Trailer rings



U Series trailer rings



Series U trailer rings are suitable for heavy farm vehicle or light truck trailer applications (e.g. irrigation systems or airport luggage trailers) limited to speeds < 40 km/h (subject to load conditions).

Although greased during assembly, they should be greased again during installation with a lithium or lithium-calcium EP2 bearing grease.

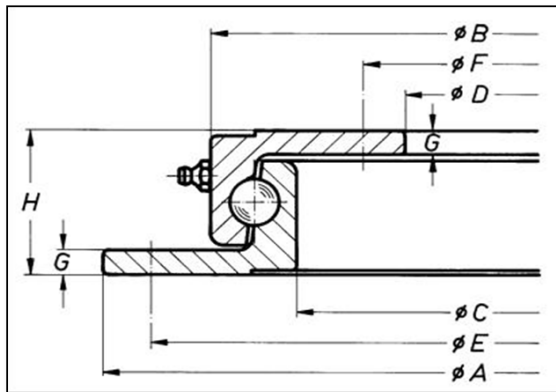
Trailer rings are supplied undrilled. Support at least 50% of the flange area on flat, stiff supports and fix with Grade 8.8 bolts. Tabs to accommodate radial loads can be welded to the support structure.

Maintenance consists of monthly lubricant and bolt tightness checks.

NBC ref	Dimensions					Grease points	Ball ϕ (mm)	Mass (kg)	Axial load ^{*1} KN	Min no bolts/ Size
	H (mm)	A (mm)	B (mm)	C (mm)	D (mm)					
U01L030	55	298	293	220	200	1	12	5	5	4/ M12
U01L040	55	400	400	320	300	1	12	8	7.5	
U01L050	55	500	500	420	400	1	12	10	10	
U01N060	65	600	600	516	490	2	14	18	17	6/ M12 or M14
U01N065	65	650	650	568	543	2	14	20	17	
U01N070	65	700	700	620	594	2	14	22	22	
U01N075	65	750	750	668	640	2	14	24	22	
U01N080	65	800	800	718	690	2	14	26	25	6/ M14 or M16
U01N085	65	850	850	767	742	2	14	28	30	
U01N090	65	900	900	820	793	2	14	30	35	
U01N095	65	950	950	870	843	2	14	31	35	
U01N100	65	1000	1000	920	895	2	14	33	40	
U01N105	65	1050	1050	970	945	2	14	35	45	
U01N110	65	1100	1100	1010	988	2	14	40	45	
U01P090	80	890	895	795	766	2	16	36	50	6/ M14 or M16
U01P100	80	1010	1015	916	888	2	16	42	60	
U01P110	80	1100	1105	1005	976	2	16	45	65	
U01T100	90	1000	1008	889	856	2	20	60	80	8/ M14 or M16
U01T110	90	1100	1100	980	948	2	20	65	100	

Notes ^{*1} Loads applicable at speeds up to 25 km/h only
At faster speeds load capacity decreases

Z Series trailer rings



Series Z / L suitable for farm trailers at speeds < 30 km/h

Series Z / N suitable for farm trailers at speeds in excess of 30 km/h

Although greased during assembly, they should be greased again during installation with a lithium or lithium-calcium EP2 bearing grease.

Trailer rings are supplied undrilled. Support at least 50% of the flange area on flat, stiff supports and fix with Grade 8.8 bolts. Tabs to accommodate radial loads can be welded to the support structure.

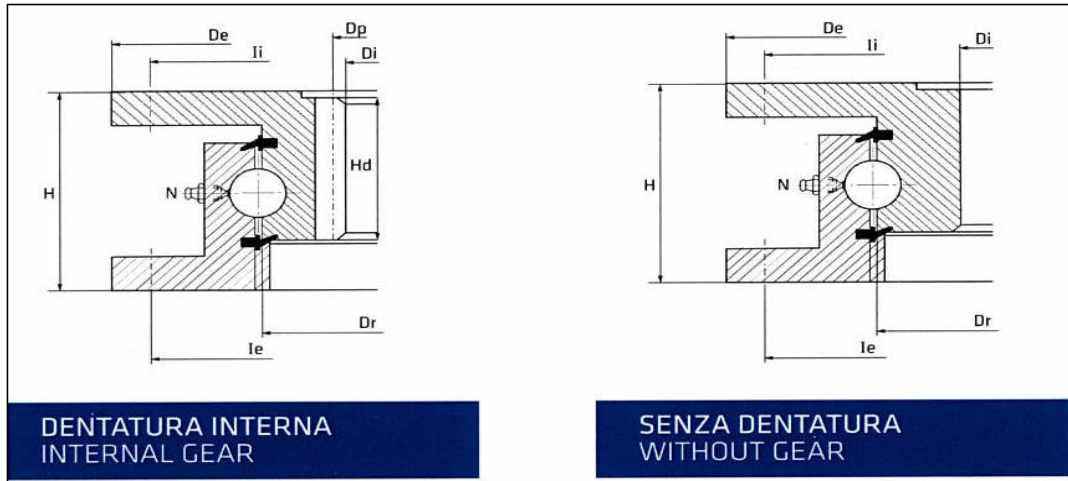
Maintenance consists of monthly lubricant and bolt tightness checks.

NBC Stock code	Dimensions								Weight (kg)	Axial load (kN)
	A (mm)	B (mm)	C (mm)	D (mm)	E (mm)	F (mm)	G (mm)	H ^{*1} (mm)		
400L	400	342	292	230	375	260	8	45	11	7.5
500L	500	442	392	330	475	360			15	9
650L	650	592	542	480	625	510			20	15
750L	750	692	642	580	725	610			23	18
850L	850	792	742	680	825	710			27	25
950L	950	892	842	780	925	810			30	30
1050L	1050	992	942	880	1025	910			34	35
400N	400	338	281	215	375	260	8	52	15	14
500N	500	437	384	315	475	340			19	18
650N	650	587	534	465	625	490			25	25
750N	750	687	634	565	725	590			30	30
850N	850	787	734	665	825	690			35	35
950N	950	887	834	765	925	790			40	40
1050N	1050	987	934	865	1025	890			50	45

Notes ^{*1} The height tolerance is +/- 3mm - these are NOT precision units!

Trailer rings are not suited for long life and continuously rotating applications

UH Series trailer rings



NBC Stock code	De	Di	H	Dr	le	li	ne / ni	Bolt size	Mass
	mm	mm	mm	mm	mm	mm			
FUN 498 20 01 CC LM	498	331	82	392	470	470	16	M16	40
FUN 700 20 01 CC LM	700	530	82	593	670	670	24	M16	63
FUN 804 20 01 CC LM	804	636	82	700	774	774	30	M16	73
FUN 880 20 01 CC LM	880	708	82	774	850	850	36	M16	82
FUN 1000 20 01 CC LM	1000	830	82	895	970	970	36	M16	94

Internally geared units same dimensions as ungeared units. Gear data below.

NBC Stock code	m	z	xm	km	Dp	Hd	Fnor	Fmax	Mass
	mm		mm	mm	mm	mm	KN	KN	kg
FIG 498 20 01 CC LM	5	68	0	0.5	340	59	11.3	22.6	38
FIG 700 20 01 CC LM	5	108	0	0	540	59	11.3	22.6	59
FIG 804 20 01 CC LM	6	108	1	1	646	59	16.3	32.6	67
FIG 880 20 01 CC LM	6	120	0	0	720	59	16.3	32.6	75
FIG 1000 20 01 CC LM	6	140	-1	0	842	59	16.3	32.6	86

A range of flanged trailer rings manufactured by **La Leonessa** of Italy

Construction

Full complement ball bearings with 2 external flanges

Sealed

Drilled to standard drilling patterns noted. Undrilled units available to order.



LA LEONESSA