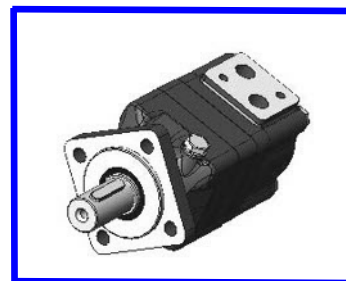
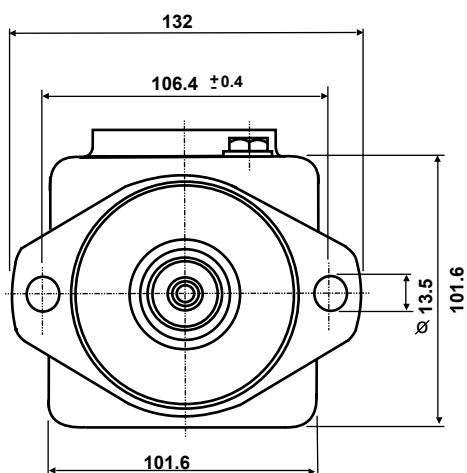
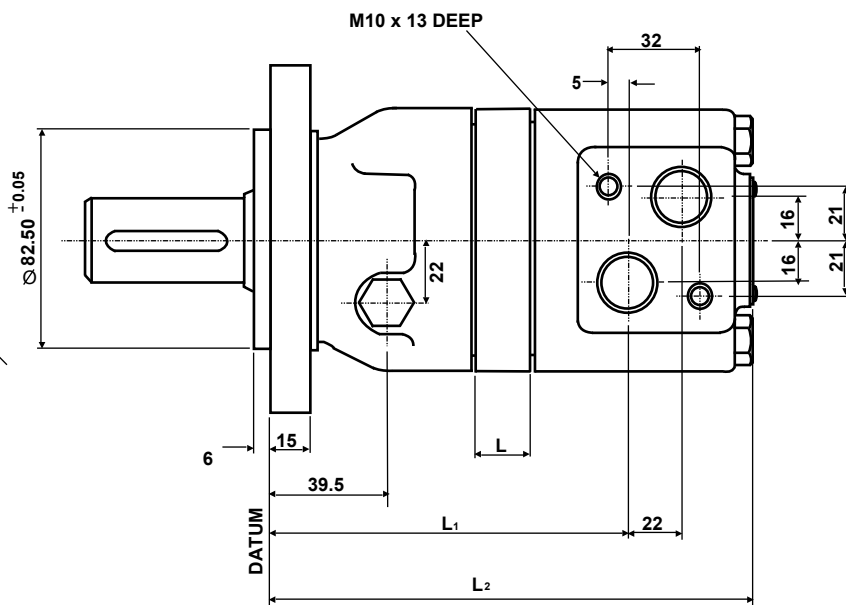
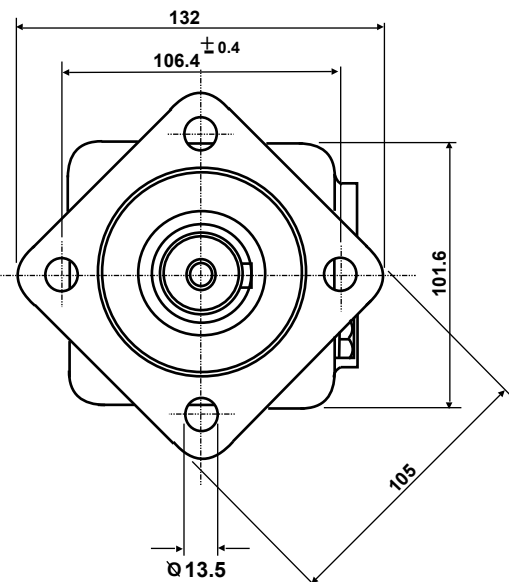


MSA

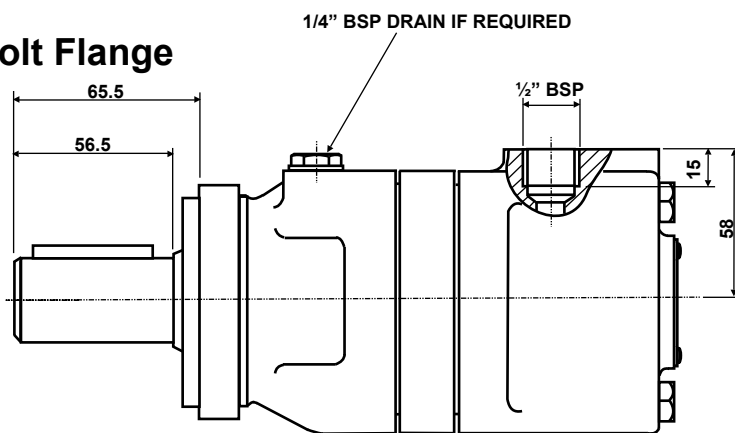
**HYDRAULIC MOTOR
HIGH TORQUE - LOW SPEED**



4 Bolt Flange



2 Bolt Flange



For shaft details see MS shaft variants

For performance graphs see MS performance sheets

MSA SERIES	75	100	125	150	200	250	300	400
DIM L mm	8	11	16	22	29	38	49	64
DIM L 1 mm	124	127	131	137	144	153	164	179
DIM L 2 mm	174	177	181	187	194	203	214	229
WEIGHT kg	11.0	11.2	11.2	12.0	12.5	13.0	13.7	14.5

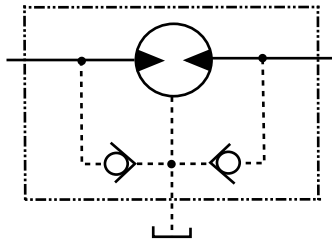
CONSTRUCTION FEATURES

- Fully reversible
- High efficiency disc valve
- Substantial shaft bearings
- High pressure shaft seal
- Integral check valves

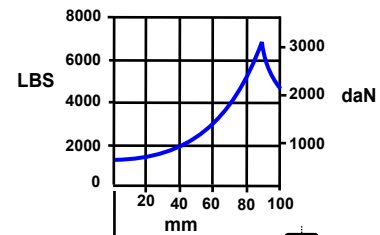
ALSO AVAILABLE

- Integral brake
- Shaft options
- Tacho drive

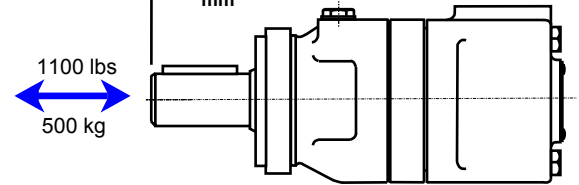
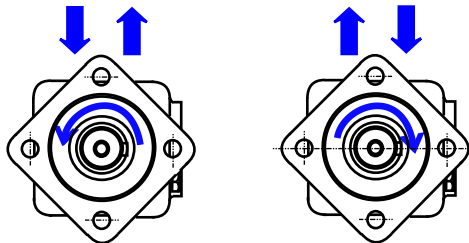
SYMBOL



SHAFT LOADING



SHAFT ROTATION



MSA SIZE	DISPLACEMENT		MAXIMUM PRESSURE DROP								MAXIMUM SPEED rpm	
			Shaft Types P,U,S,D,T				Shaft Types E,M,6S					
			cont.		int.		cont.		int.			
			lbf/in ²	bar	lbf/in ²	bar	lbf/in ²	bar	lbf/in ²	bar		
75	81.8	4.91	3050	210	3990	275	3050	210	3990	275	810	1000
100	101.3	5.00	3050	210	3990	275	3050	210	3630	250	750	900
125	126.3	7.72	3050	210	3990	275	2540	175	3480	240	600	720
150	161.0	9.85	3050	210	3770	260	2030	140	2540	175	470	560
200	201.2	12.31	3050	210	3630	250	1520	105	2030	140	375	450
250	251.2	15.36	2900	200	3630	250	1350	90	1450	100	300	360
300	315.9	19.32	2900	200	3480	240	1020	70	1350	90	240	285
400	400.4	24.49	2030	140	2540	175	795	55	1015	70	155	185

Maximum inlet pressure 4350 psi - 300 bar

High pressure shaft seal drain line not required for most applications.

Maximum pressure drop and speed must not be reached simultaneously.

Intermittent operation = 10% Operation of every minute.

At speeds lower than 10 rpm please consult our Technical Department.

Mineral based hydraulic fluids with anti-wear additives are recommended, with a viscosity of 35 mm²/s at a temperature of 50°

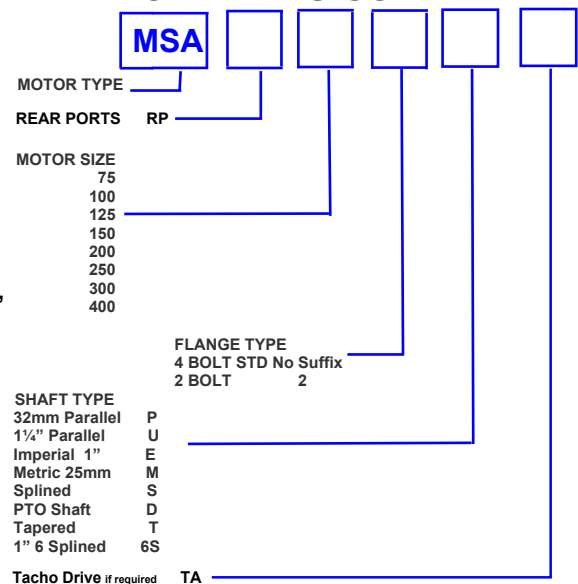
Where non-flammable fluids are to be used it is advisable to consult our Technical Department.

Normal operating temperature 30° to 60° C.

Minimum operating temperature -30° C.

Maximum operating temperature + 85° C.

ORDERING CODE



The policy of Adan Limited is one of continual development and the right is reserved to alter specifications without notice.



ADAN LIMITED

RIVERSIDE IND. ESTATE BOSTON LINCOLNSHIRE ENGLAND

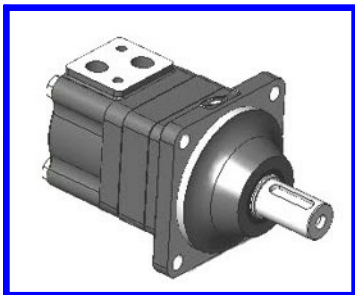
Tel: +44 (01205) 311500

Fax: +44 (01205) 358013

email: sales@adanltd.co.uk

website: www.adanltd.co.uk

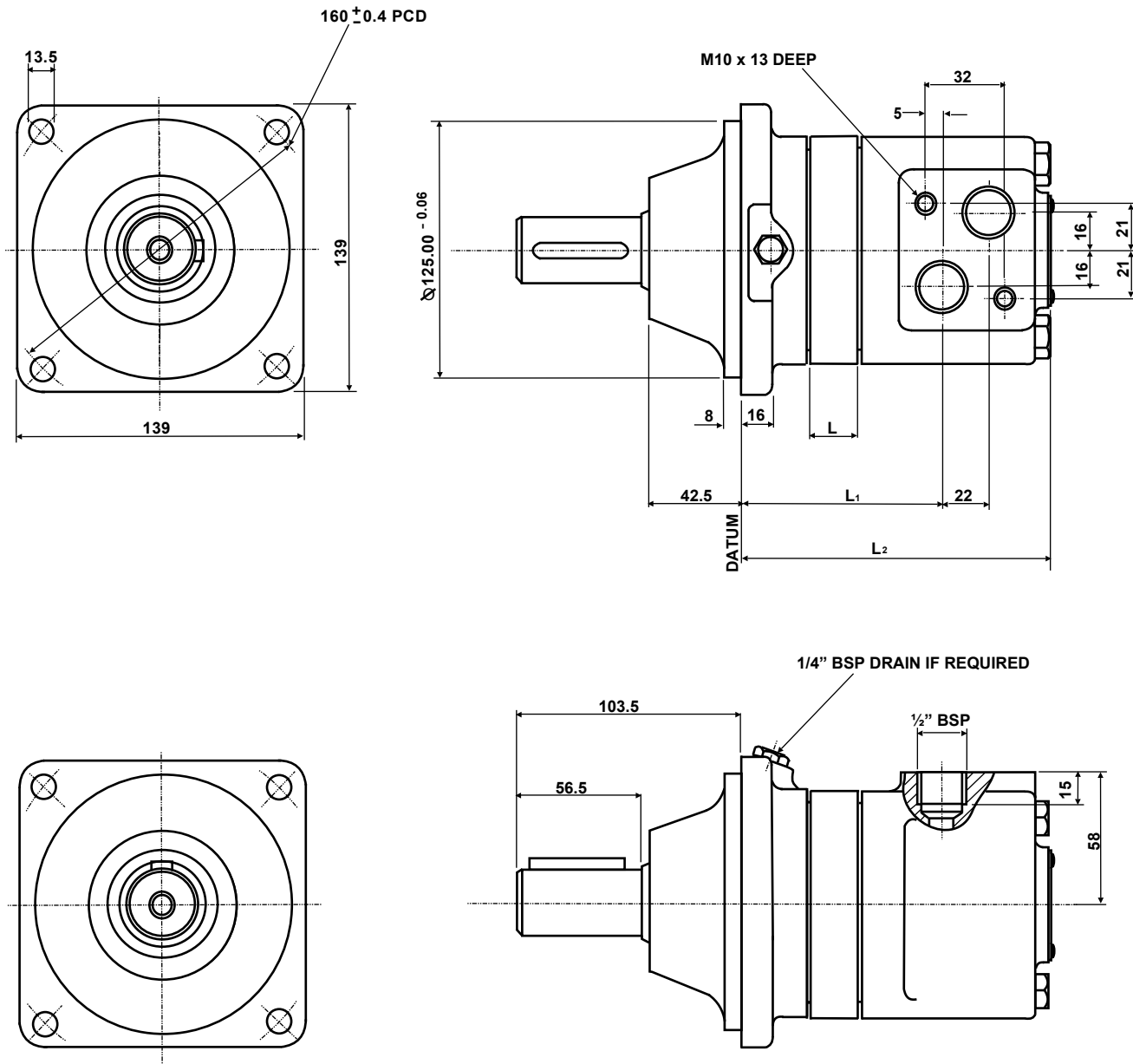




MSW

HYDRAULIC MOTOR

HIGH TORQUE - LOW SPEED



For performance graphs see MS performance sheets

For shaft details see MS shaft variants

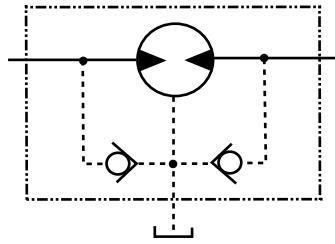
MSW SERIES	75	100	125	150	200	250	300	400
DIM L mm	8	11	16	22	29	38	49	64
DIM L ₁ mm	85.7	90	94	100	107	116	127	142
DIM L ₂ mm	135	139.5	144	150	157	165.7	177	191.7
WEIGHT kg	11.4	11.6	11.9	12.3	12.8	13.4	14.1	15.0

CONSTRUCTION FEATURES

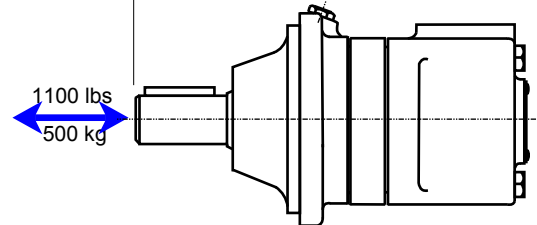
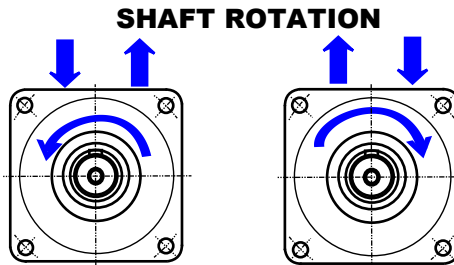
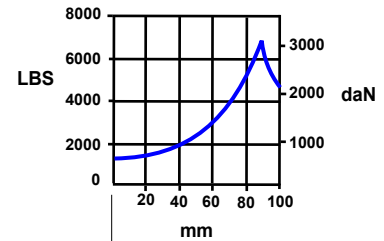
- Fully reversible
- High efficiency disc valve
- Substantial shaft bearings
- High pressure shaft seal
- Integral check valves

ALSO AVAILABLE

- Integral brake
- Shaft options
- Tacho drive



SHAFT LOADING



MSW SIZE	DISPLACEMENT		MAXIMUM PRESSURE DROP								MAXIMUM SPEED rpm	
			Shaft Types P,U,S,D,T				Shaft Types E,M,6S					
	cc/rev	cu.in/rev	cont.		int.		cont.		int.		cont.	int.
			lbf/in ²	bar	lbf/in ²	bar	lbf/in ²	bar	lbf/in ²	bar		
75	81.8	4.91	3050	210	3990	275	3050	210	3990	275	810	1000
100	101.3	5.00	3050	210	3990	275	3050	210	3630	250	750	900
125	126.3	7.72	3050	210	3990	275	2540	175	3480	240	600	720
150	161.0	9.85	3050	210	3770	260	2030	140	2540	175	470	560
200	201.2	12.31	3050	210	3630	250	1520	105	2030	140	375	450
250	251.2	15.36	2900	200	3630	250	1350	90	1450	100	300	360
300	315.9	19.32	2900	200	3480	240	1020	70	1350	90	240	285
400	400.4	24.49	2030	140	2540	175	795	55	1015	70	155	185

Maximum inlet pressure 4350 psi - 300 bar

High pressure shaft seal drain line not required for most applications.

Maximum pressure drop and speed must not be reached simultaneously.

Intermittent operation = 10% Operation of every minute.

At speeds lower than 10 rpm please consult our Technical Department.

Mineral based hydraulic fluids with anti-wear additives are recommended, with a viscosity of 35 mm²/s at a temperature of 50°

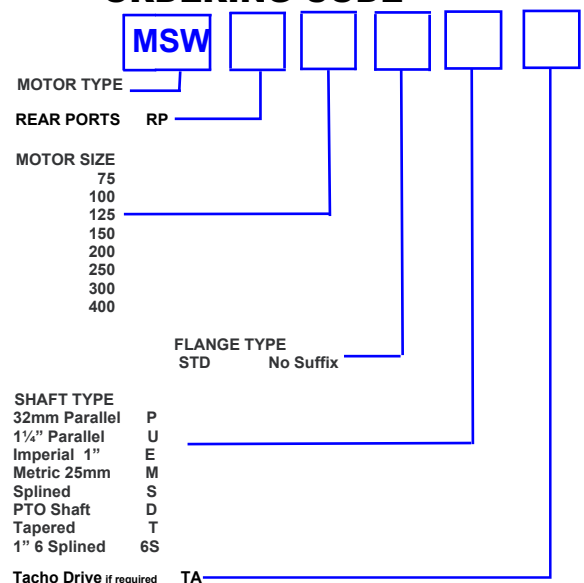
Where non-flammable fluids are to be used it is advisable to consult our Technical Department.

Normal operating temperature 30° to 60° C.

Minimum operating temperature -30° C.

Maximum operating temperature + 85° C.

ORDERING CODE



The policy of Adan Limited is one of continual development and the right is reserved to alter specifications without notice.



ADAN LIMITED

RIVERSIDE IND. ESTATE BOSTON LINCOLNSHIRE ENGLAND

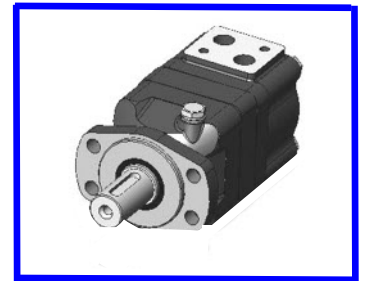
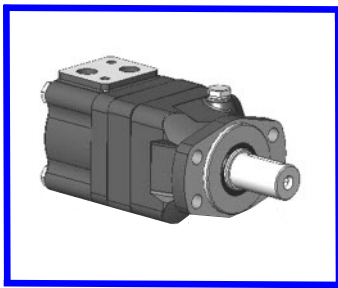
Tel: +44 (01205) 311500

Fax: +44 (01205) 358013

email: sales@adanltd.co.uk

website: www.adanltd.co.uk

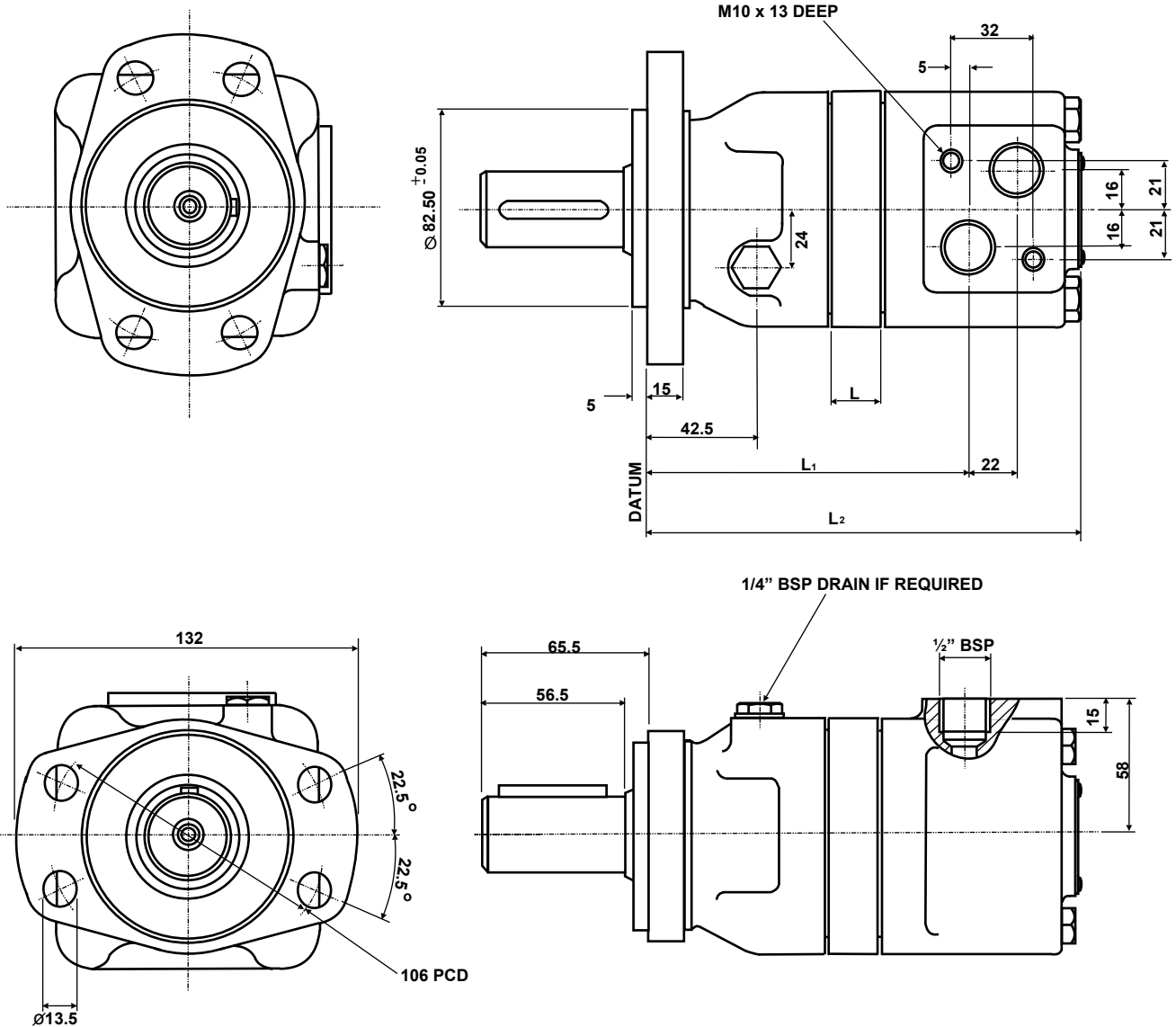




MSAM

HYDRAULIC MOTOR

HIGH TORQUE - LOW SPEED



For shaft details see MS shaft variants
For performance graphs see MS performance sheets

MSAM SERIES	75	100	125	150	200	250	300	400
DIM L mm	8	11	16	22	29	38	49	64
DIM L 1 mm	124	127	131	137	144	153	164	179
DIM L 2 mm	174	177	181	187	194	203	214	229
WEIGHT kg	11.2	11.4	11.5	12.2	12.7	13.2	13.7	14.7

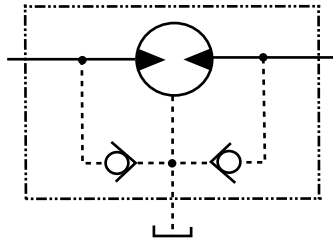
CONSTRUCTION FEATURES

- Fully reversible
- High efficiency disc valve
- Substantial shaft bearings
- High pressure shaft seal
- Integral check valves

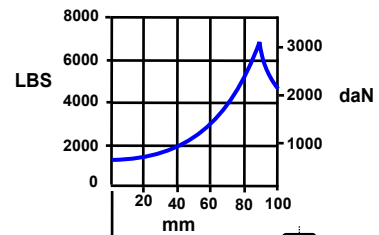
ALSO AVAILABLE

- Integral brake
- Shaft options
- Tacho drive

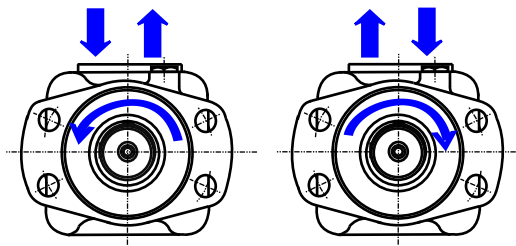
SYMBOL



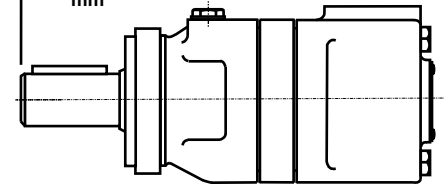
SHAFT LOADING



SHAFT ROTATION



1100 lbs
500 kg



MSAM SIZE	DISPLACEMENT		MAXIMUM PRESSURE DROP								MAXIMUM SPEED rpm	
			Shaft Types P,U,S,D,T				Shaft Types E,M,6S					
	cc/rev	cu.in/rev	cont.		int.		cont.		int.		cont.	int.
			lbf/in ²	bar	lbf/in ²	bar	lbf/in ²	bar	lbf/in ²	bar		
75	81.8	4.91	3050	210	3990	275	3050	210	3990	275	810	1000
100	101.3	5.00	3050	210	3990	275	3050	210	3630	250	750	900
125	126.3	7.72	3050	210	3990	275	2540	175	3480	240	600	720
150	161.0	9.85	3050	210	3770	260	2030	140	2540	175	470	560
200	201.2	12.31	3050	210	3630	250	1520	105	2030	140	375	450
250	251.2	15.36	2900	200	3630	250	1350	90	1450	100	300	360
300	315.9	19.32	2900	200	3480	240	1020	70	1350	90	240	285
400	400.4	24.49	2030	140	2540	175	795	55	1015	70	155	185

Maximum inlet pressure 4350 psi - 300 bar

High pressure shaft seal drain line not required for most applications.

Maximum pressure drop and speed must not be reached simultaneously.

Intermittent operation = 10% Operation of every minute.

At speeds lower than 10 rpm please consult our Technical Department.

Mineral based hydraulic fluids with anti-wear additives are recommended, with a viscosity of 35 mm²/s at a temperature of 50°

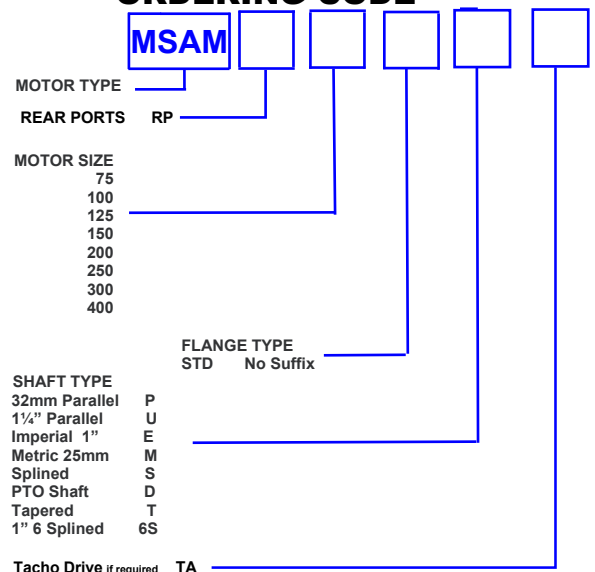
Where non-flammable fluids are to be used it is advisable to consult our Technical Department.

Normal operating temperature 30° to 60° C.

Minimum operating temperature -30° C.

Maximum operating temperature + 85° C.

ORDERING CODE



The policy of Adan Limited is one of continual development and the right is reserved to alter specifications without notice.



ADAN LIMITED

RIVERSIDE IND. ESTATE BOSTON LINCOLNSHIRE ENGLAND

Tel: +44 (01205) 311500

email: sales@adanltd.co.uk

Fax: +44 (01205) 358013

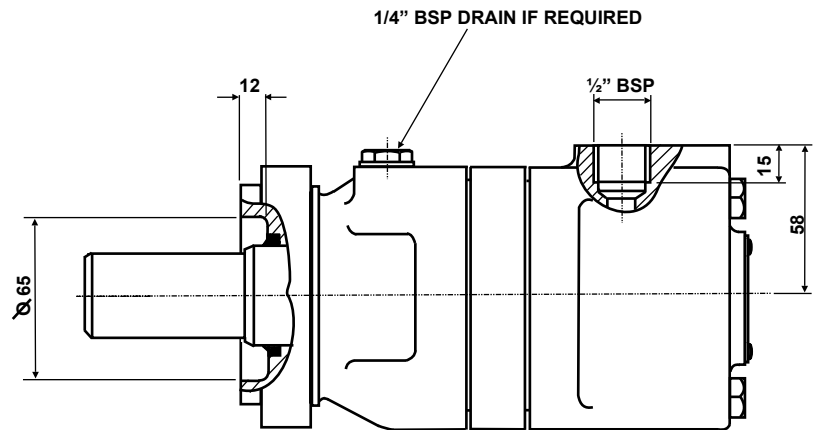
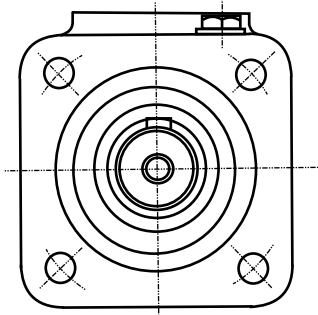
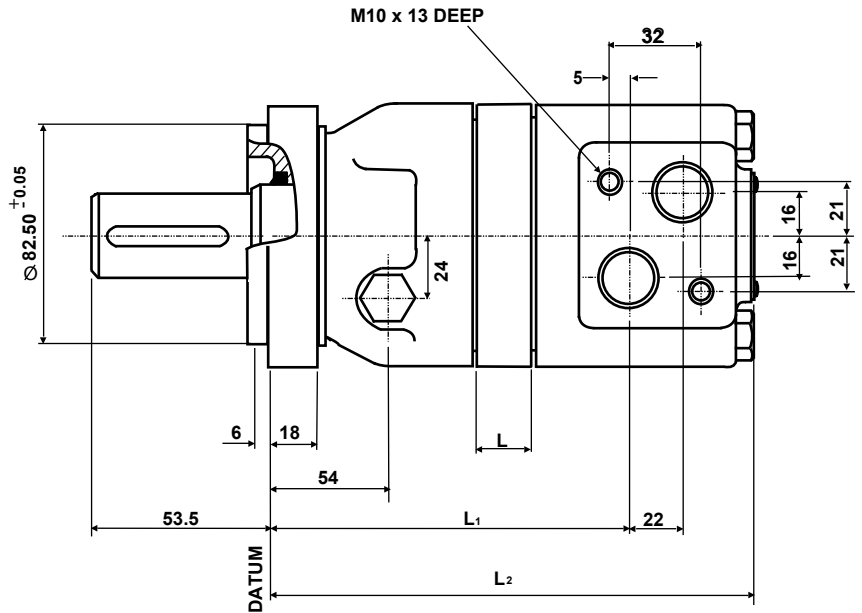
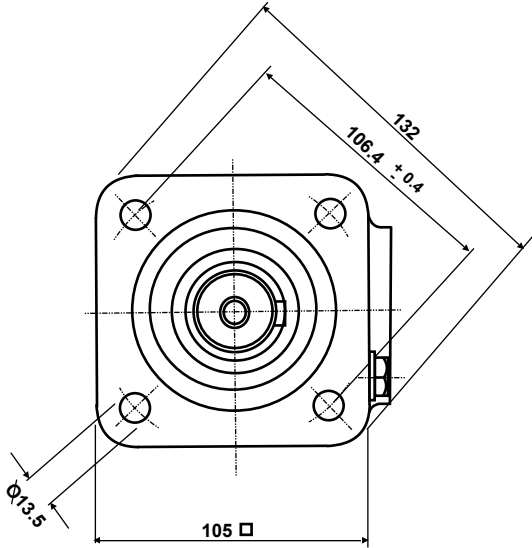
website: www.adanltd.co.uk





MSAS

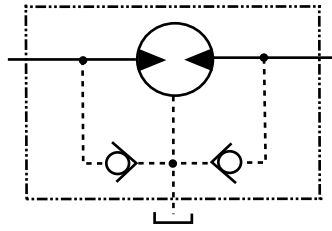
HYDRAULIC MOTOR HIGH TORQUE - LOW SPEED



For performance graphs see MS performance sheets
For shaft details see MS shaft variants

MSAS SERIES	75	100	125	150	200	250	300	400
DIM L mm	8	11	16	22	29	38	49	64
DIM L1 mm	136	139	144	150	157	166	177	191
DIM L2 mm	184	187	192	198	205	214	225	239
WEIGHT kg	11.0	11.2	11.2	12.0	12.5	13.0	13.7	14.5

SYMBOL



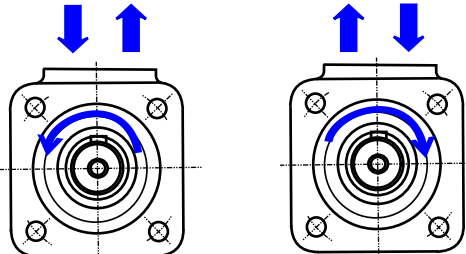
CONSTRUCTION FEATURES

- Fully reversible
- High efficiency disc valve
- Substantial shaft bearings
- High pressure shaft seal
- Integral check valves

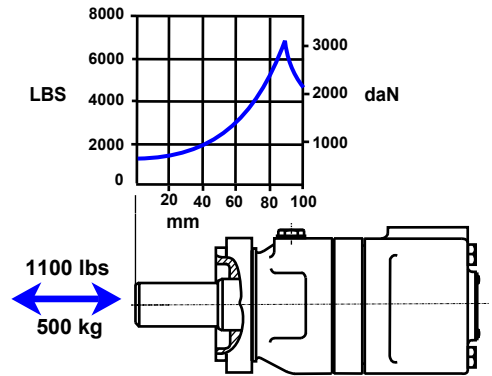
ALSO AVAILABLE

- Shaft options

SHAFT ROTATION



SHAFT LOADING



MSAS SIZE	DISPLACEMENT		MAXIMUM PRESSURE DROP								MAXIMUM SPEED rpm	
			Shaft Types P,U,S,D,T				Shaft Types E,M,6S					
			cont.		int.		cont.		int.			
			lbf/in ²	bar	lbf/in ²	bar	lbf/in ²	bar	lbf/in ²	bar		
75	81.8	4.91	3050	210	3990	275	3050	210	3990	275	810	1000
100	101.3	5.00	3050	210	3990	275	3050	210	3630	250	750	900
125	126.3	7.72	3050	210	3990	275	2540	175	3480	240	600	720
150	161.0	9.85	3050	210	3770	260	2030	140	2540	175	470	560
200	201.2	12.31	3050	210	3630	250	1520	105	2030	140	375	450
250	251.2	15.36	2900	200	3630	250	1350	90	1450	100	300	360
300	315.9	19.32	2900	200	3480	240	1020	70	1350	90	240	285
400	400.4	24.49	2030	140	2540	175	795	55	1015	70	155	185

Maximum inlet pressure 4350 psi - 300 bar

High pressure shaft seal drain line not required for most applications.

Maximum pressure drop and speed must not be reached simultaneously.

Intermittent operation = 10% Operation of every minute.

At speeds lower than 10 rpm please consult our Technical Department.

Mineral based hydraulic fluids with anti-wear additives are recommended, with a viscosity of 35 mm²/s at a temperature of 50°

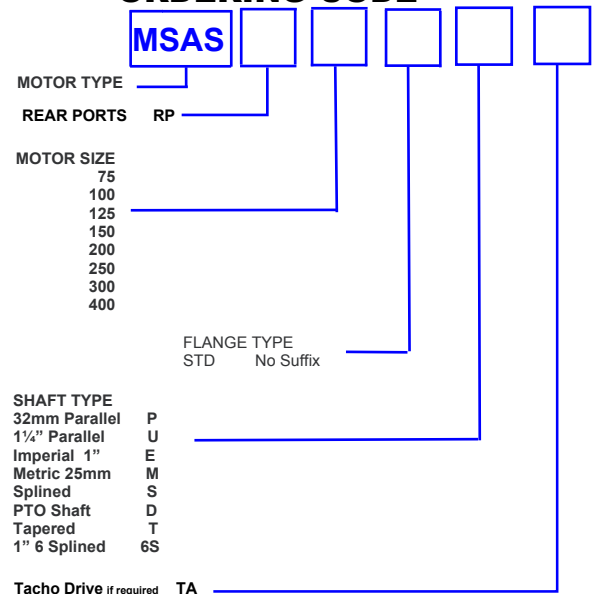
Where non-flammable fluids are to be used it is advisable to consult our Technical Department.

Normal operating temperature 30° to 60° C.

Minimum operating temperature -30° C.

Maximum operating temperature + 85° C.

ORDERING CODE



The policy of Adan Limited is one of continual development and the right is reserved to alter specifications without notice.



ADAN LIMITED

RIVERSIDE IND. ESTATE BOSTON LINCOLNSHIRE ENGLAND

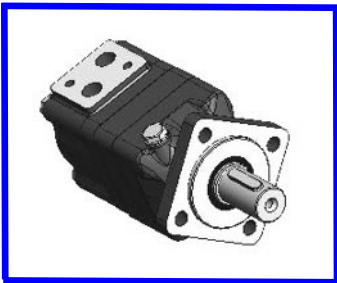
Tel: +44 (01205) 311500

email: sales@adanltd.co.uk

Fax: +44 (01205) 358013

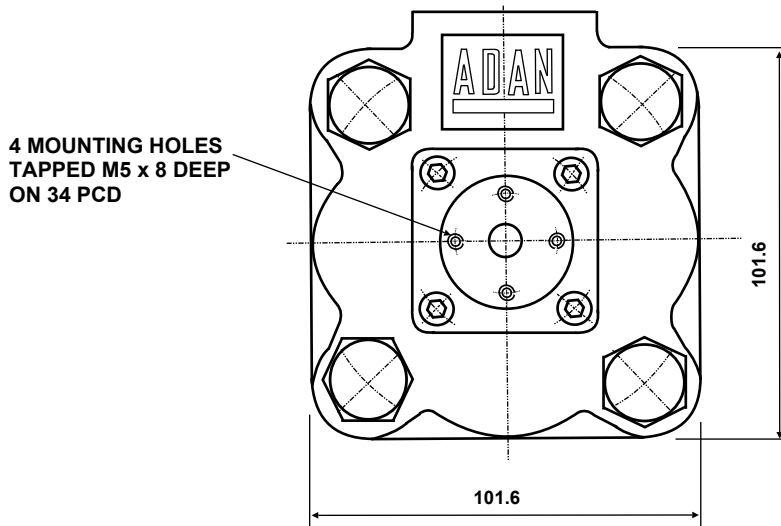
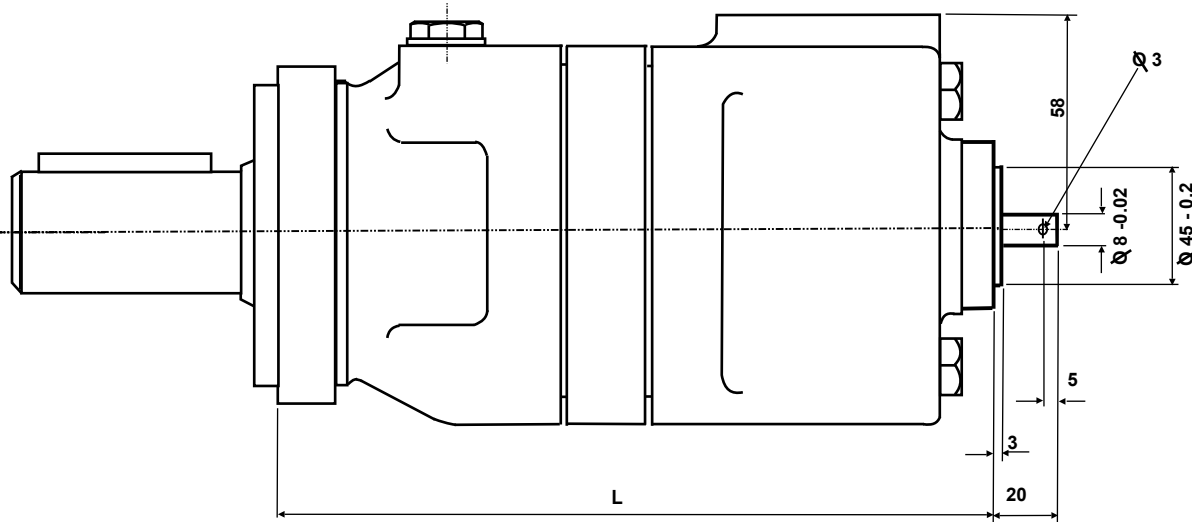
website: www.adanltd.co.uk





MS SERIES

TACHO DRIVE SHAFT



For full motor details see appropriate MS data sheets
For performance graphs see MS performance sheets
For shaft details see MS shaft variants

DIMENSION L (mm)

MOTOR SIZE	75	100	125	150	200	250	300	400
MSA/MSAM/MSW	190	193	197	203	210	219	230	245
MSAS	201	204	208	214	221	230	241	256
MSS	161.5	164.5	168.5	174.5	181.5	190.5	201.5	216.5
MSAX	174.5	177.5	181.5	187.5	194.5	203.5	214.5	229.5

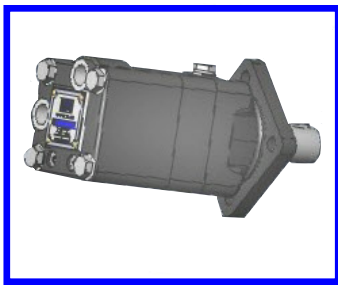
The policy of Adan Limited is one of continual development and the right is reserved to alter specifications without notice.



ADAN LIMITED

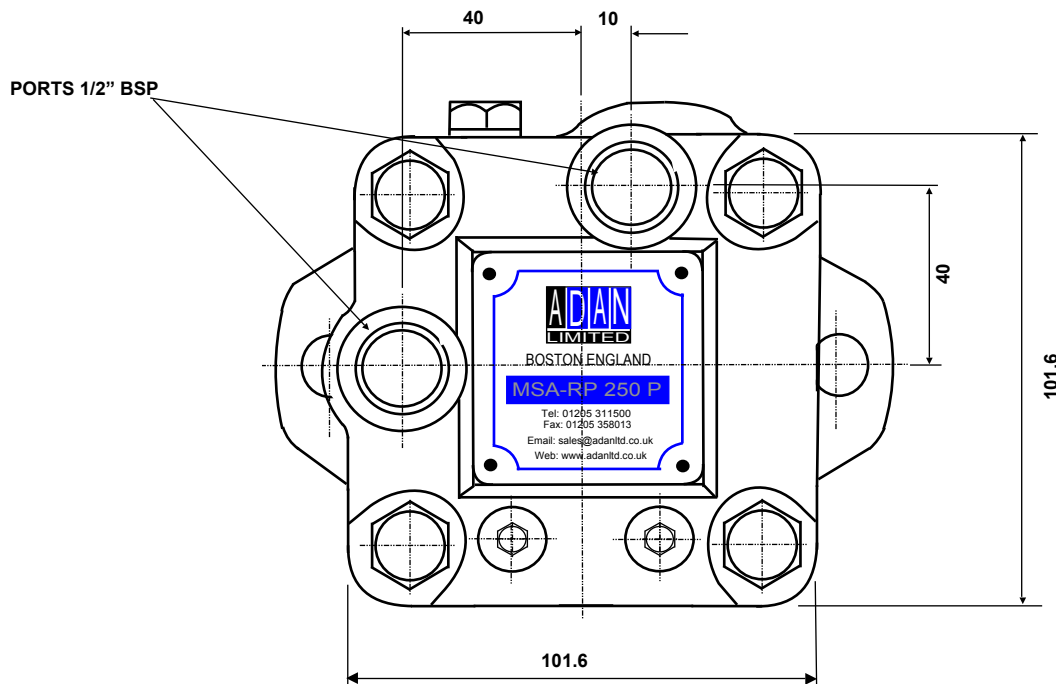
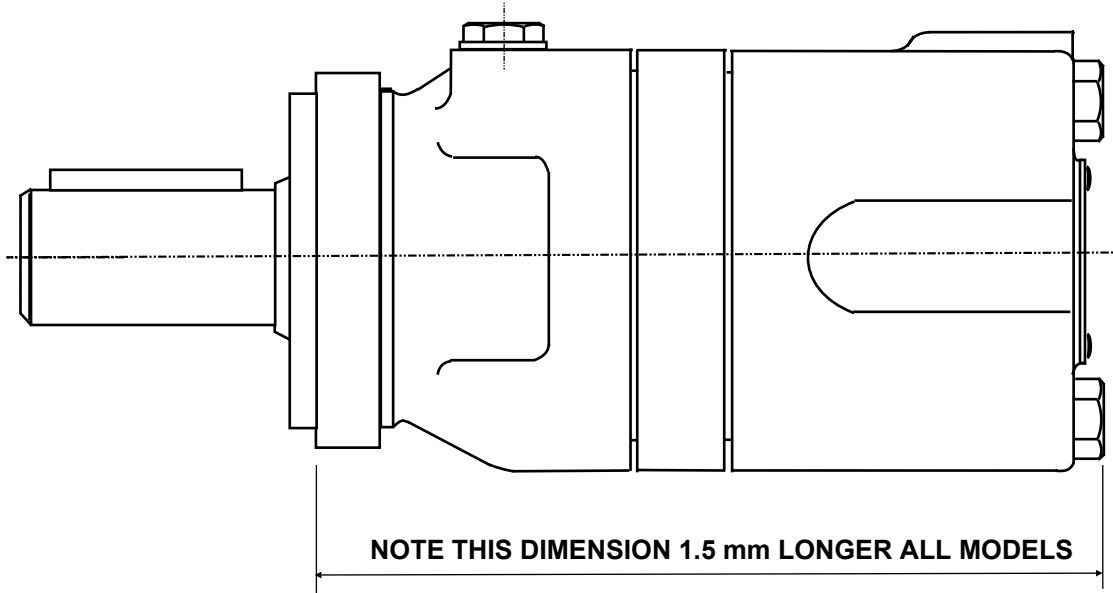
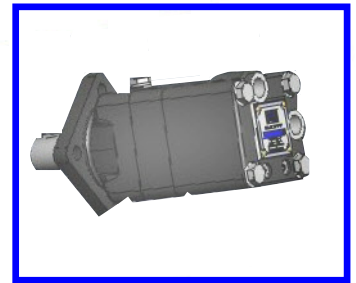
RIVERSIDE IND. ESTATE BOSTON LINCOLNSHIRE ENGLAND
 Tel: +44 (01205) 311500 Fax: +44 (01205) 358013
 email: sales@adanltd.co.uk website: www.adanltd.co.uk





MS SERIES

REAR PORTED



***For full motor details see appropriate MS data sheets
For performance graphs see MS performance sheets
For shaft details see MS shaft variants***

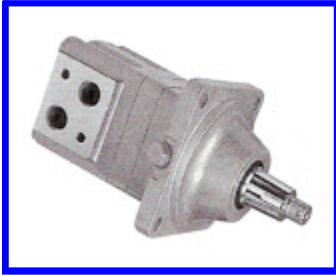
The policy of Adan Limited is one of continual development and the right is reserved to alter specifications without notice.



ADAN LIMITED

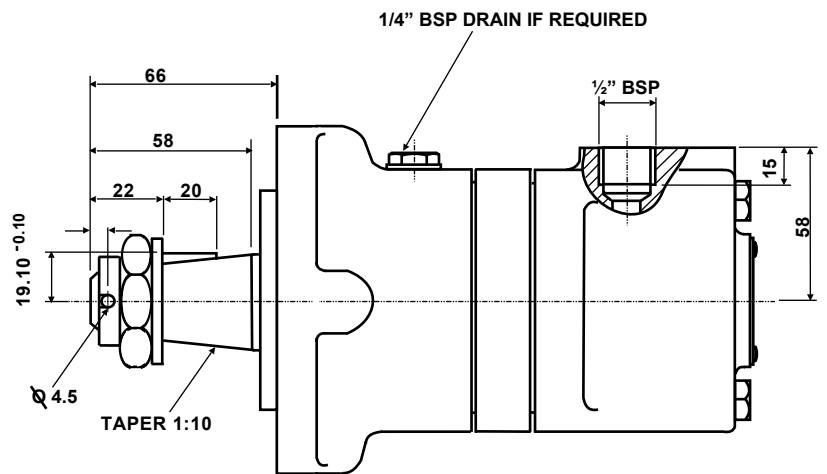
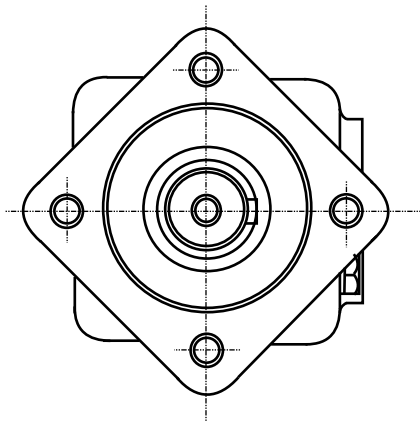
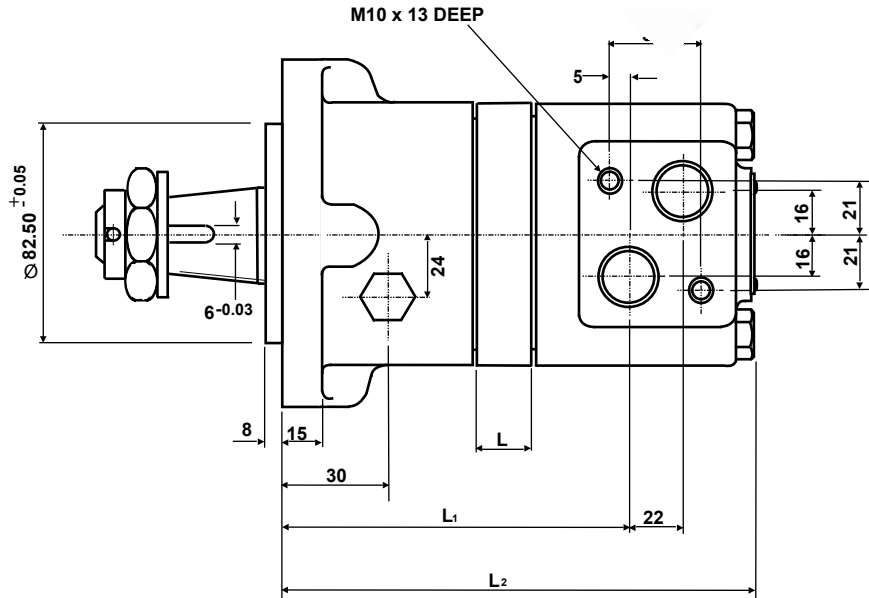
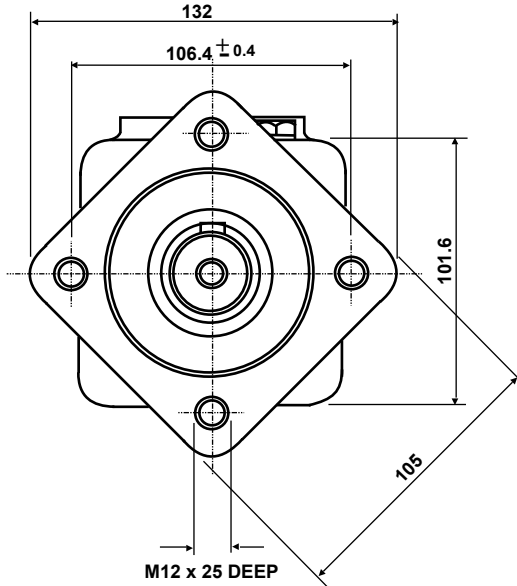
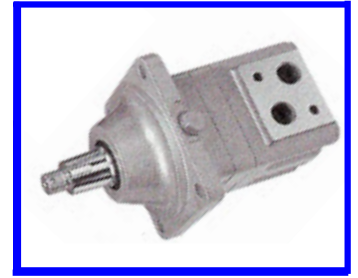
RIVERSIDE IND. ESTATE BOSTON LINCOLNSHIRE ENGLAND
Tel: +44 (01205) 311500 Fax: +44 (01205) 358013
email: sales@adanltd.co.uk website: www.adanltd.co.uk





MSAX

**HYDRAULIC MOTOR
HIGH TORQUE - LOW SPEED**



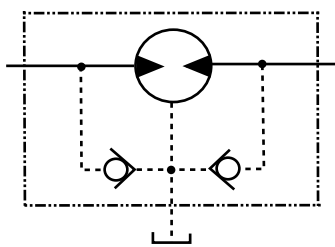
For performance graphs see MS performance sheets

MSAX SERIES	75	100	125	150	200	250	300	400
DIM L mm	8	11	16	22	29	38	49	64
DIM L1 mm	109.5	112.5	117.5	123.5	130.5	139.5	150.5	164.5
DIM L2 mm	157.5	160.5	165.5	171.5	178.5	187.5	198.5	213.5
WEIGHT kg	11.0	11.2	11.2	12.0	12.5	13.0	13.7	14.5

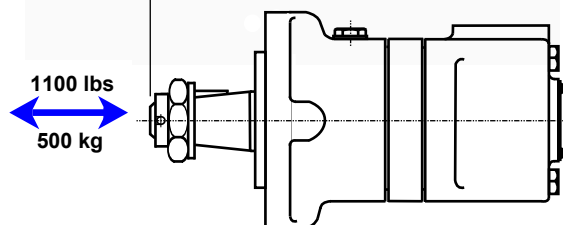
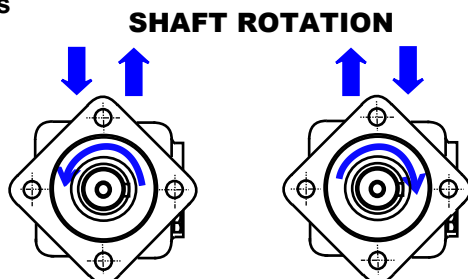
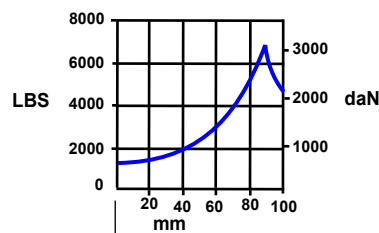
CONSTRUCTION FEATURES

- Fully reversible
- High efficiency disc valve
- Substantial shaft bearings
- High pressure shaft seal
- Integral check valves

SYMBOL



SHAFT LOADING



MSAX SIZE	DISPLACEMENT		MAXIMUM PRESSURE DROP				MAXIMUM SPEED	
	cc/rev	cu.in/rev	lbf/in ²		bar		rpm	
			cont.	int.	cont.	int.	cont.	int.
75	81.8	4.91	3050	3990	210	275	810	1000
100	101.3	5.00	3050	3990	210	275	750	900
125	126.3	7.72	3050	3990	210	275	600	720
150	161.0	9.85	3050	3770	210	260	450	560
200	201.2	12.31	3050	3630	210	250	375	450
250	251.2	15.36	2900	3630	200	250	300	360
300	315.9	19.32	2900	3480	200	240	240	285
400	400.4	24.49	2030	2540	140	175	190	230

Maximum inlet pressure 4350 psi - 300 bar

High pressure shaft seal drain line not required for most applications.

Maximum pressure drop and speed must not be reached simultaneously.

Intermittent operation = 10% Operation of every minute.

At speeds lower than 10 rpm please consult our Technical Department.

Mineral based hydraulic fluids with anti-wear additives are recommended, with a viscosity of 35 mm²/s at a temperature of 50°

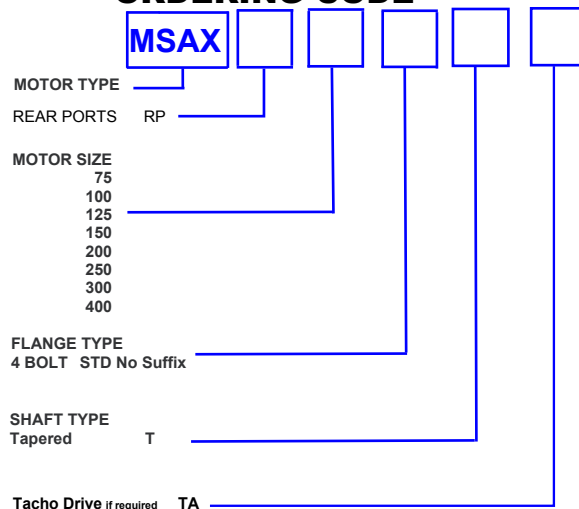
Where non-flammable fluids are to be used it is advisable to consult our Technical Department.

Normal operating temperature 30° to 60° C.

Minimum operating temperature -30° C.

Maximum operating temperature + 85° C.

ORDERING CODE



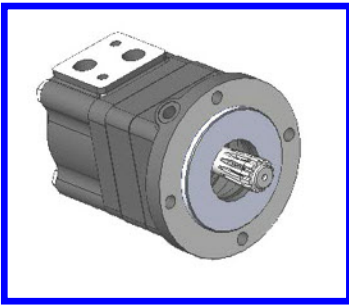
The policy of Adan Limited is one of continual development and the right is reserved to alter specifications without notice.



ADAN LIMITED

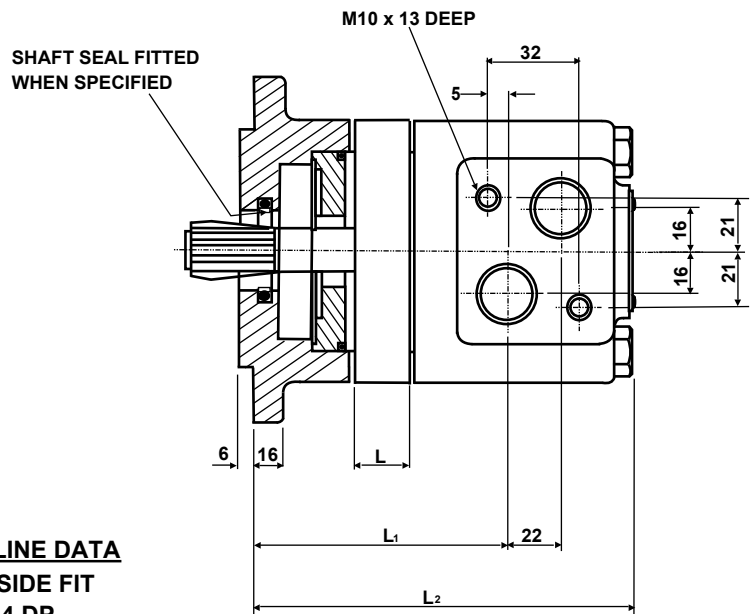
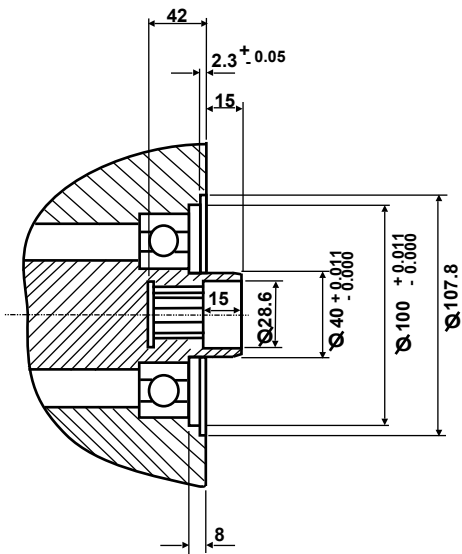
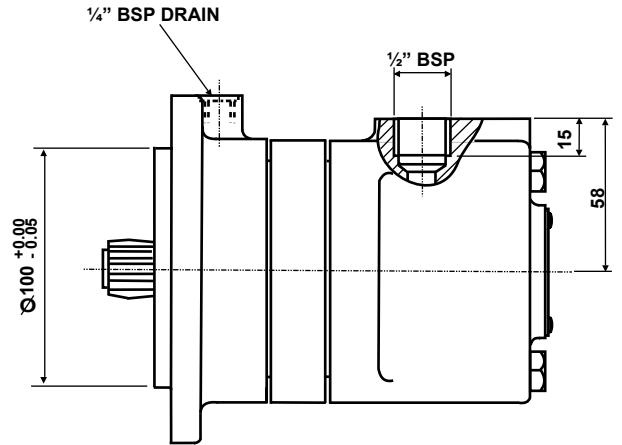
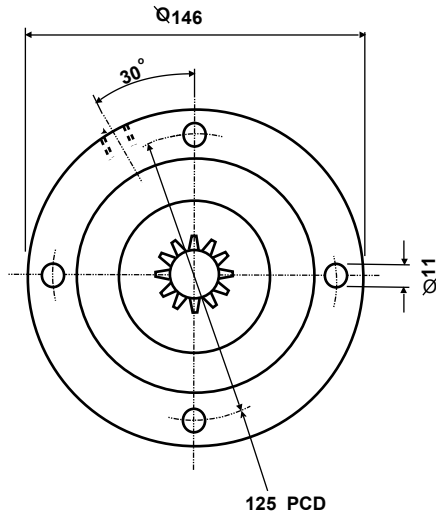
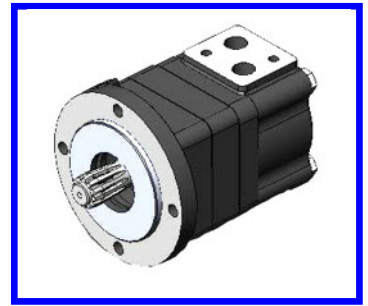
RIVERSIDE IND. ESTATE BOSTON LINCOLNSHIRE ENGLAND
 Tel: +44 (0)1205 311500 Fax: +44 (0)1205 358013
 email: sales@adanltd.co.uk website: www.adanltd.co.uk





MSS

HYDRAULIC MOTOR HIGH TORQUE - LOW SPEED



MATING COMPONENT MATERIAL
CASE HARDENING STEEL
TREATED TO 58/60 ROCKWELL 'C'
0.7 mm CASE DEPTH.

INTERNAL SPLINE DATA
FILLET ROOT SIDE FIT
12 TEETH 12/24 DP
30 PRESSURE ANGLE

For performance graphs see MS performance sheets

MSS SERIES	75	100	125	150	200	250	300	400
DIM L mm	8	11	16	22	29	38	49	64
DIM L 1 mm	87.5	90.5	95.5	101.5	108.5	117.5	128.5	142.5
DIM L 2 mm	135.5	138.5	143.5	149.5	152.5	165.5	176.5	190.5
WEIGHT kg	8.5	8.7	9.0	9.4	9.9	10.5	11.2	12.0

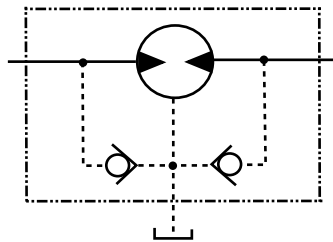
CONSTRUCTION FEATURES

- Fully reversible
- High efficiency disc valve
- Integral check valves
- For use with reduction gearbox

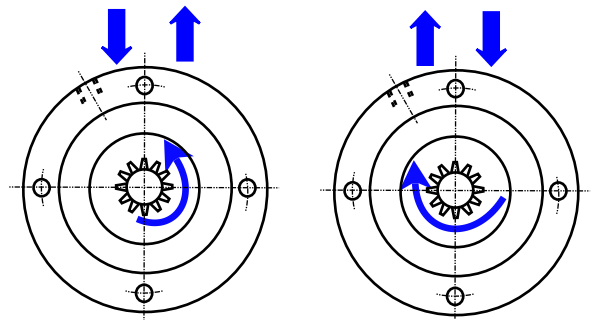
ALSO AVAILABLE

- Integral brake
- Tacho drive

SYMBOL



SHAFT ROTATION



MSS SIZE	DISPLACEMENT		MAXIMUM PRESSURE DROP				MAXIMUM SPEED	
	cc/rev	cu.in/rev	lbf/in ²		bar		rpm	
			cont.	int.	cont.	int.	cont.	int.
75	81.8	4.91	3050	3990	210	275	810	1000
100	101.3	5.00	3050	3990	210	275	750	900
125	126.3	7.72	3050	3990	210	275	600	720
150	161.0	9.85	3050	3770	210	260	450	560
200	201.2	12.31	3050	3630	210	250	375	450
250	251.2	15.36	2900	3630	200	250	300	360
300	315.9	19.32	2900	3480	200	240	240	285
400	400.4	24.49	2030	2540	140	175	190	230

Maximum inlet pressure 4350 psi - 300 bar

Maximum pressure drop and speed must not be reached simultaneously.

Intermittent operation = 10% Operation of every minute.

At speeds lower than 10 rpm please consult our Technical Department.

Mineral based hydraulic fluids with anti-wear additives are recommended, with a viscosity of 35 mm²/s at a temperature of 50°C.

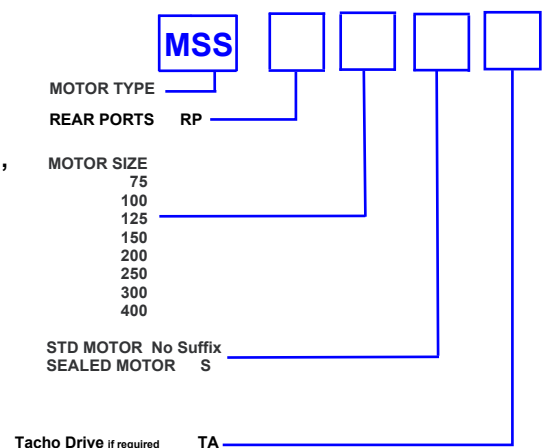
Where non-flammable fluids are to be used it is advisable to consult our Technical Department.

Normal operating temperature 30° to 60° C.

Minimum operating temperature -30° C.

Maximum operating temperature + 85° C.

ORDERING CODE



The policy of Adan Limited is one of continual development and the right is reserved to alter specifications without notice.



ADAN LIMITED

RIVERSIDE IND. ESTATE BOSTON LINCOLNSHIRE ENGLAND

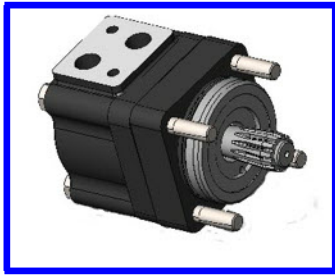
Tel: +44 (01205) 311500

email: sales@adanltd.co.uk

Fax: +44 (01205) 358013

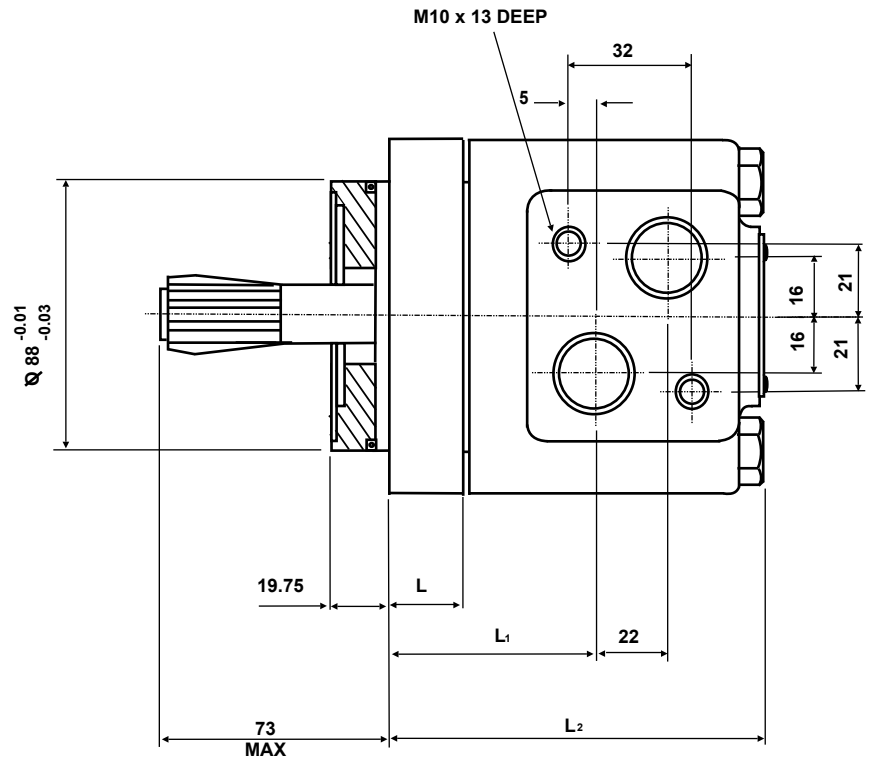
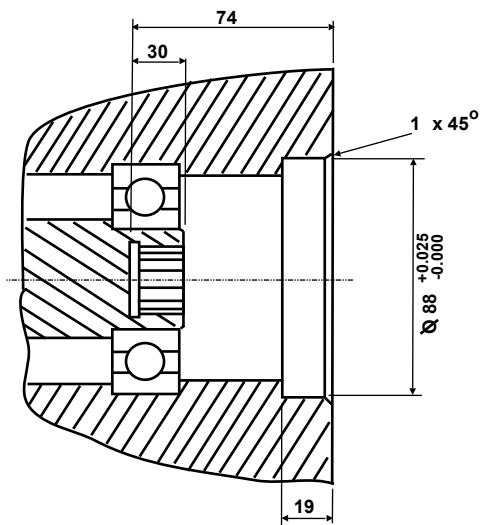
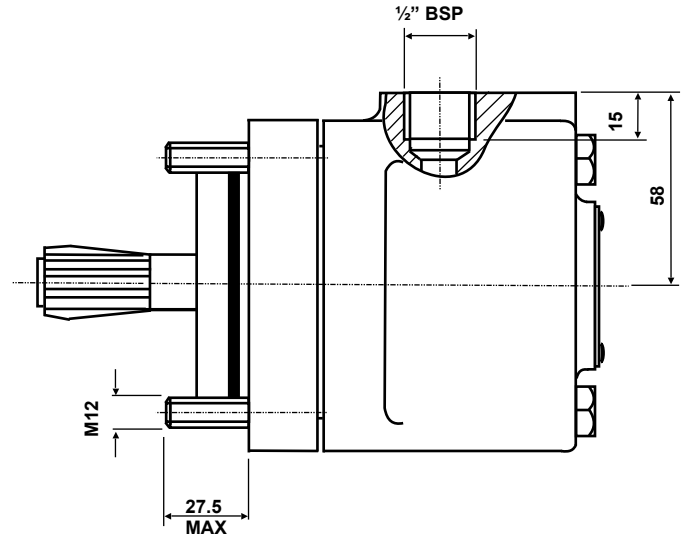
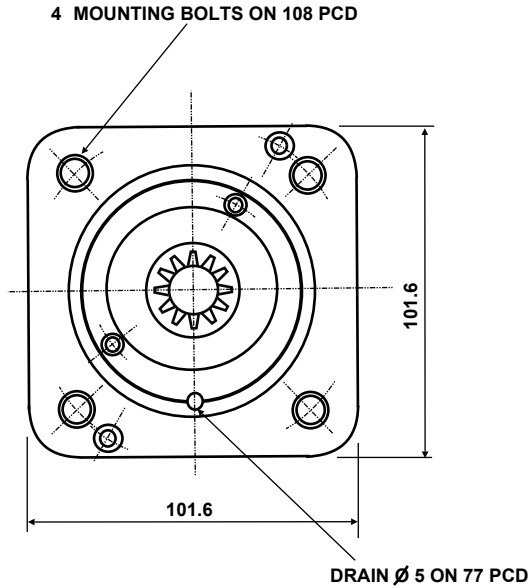
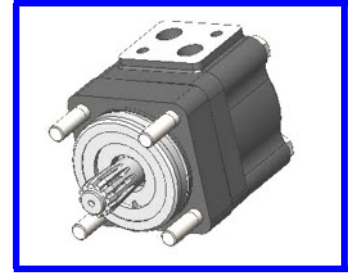
website: www.adanltd.co.uk





MSSS

HYDRAULIC MOTOR HIGH TORQUE - LOW SPEED



MATING COMPONENT MATERIAL
CASE HARDENING STEEL
TREATED TO 58/60 ROCKWELL 'C'
0.7 mm CASE DEPTH.

INTERNAL SPLINE DATA
FILLET ROOT SIDE FIT
12 TEETH 12/24 DP
30 PRESSURE ANGLE

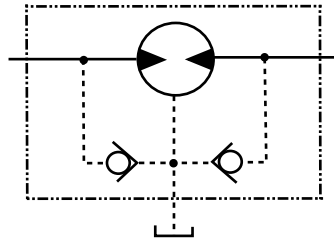
For performance graphs see MS performance sheets

MSSS SERIES	75	100	125	150	200	250	300	400
DIM L mm	8	11	16	22	29	38	49	64
DIM L ₁ mm	36.5	39.5	44.5	50.5	57.5	66.5	74.5	91.5
DIM L ₂ mm	84.5	87.5	92.5	98.5	105.5	114.5	125.5	139.5
WEIGHT kg	5.6	5.8	6.1	6.5	7.0	7.6	8.3	9.1

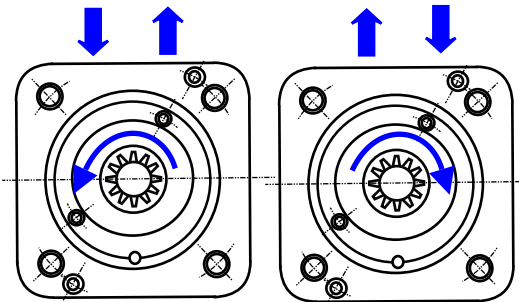
CONSTRUCTION FEATURES

- Fully reversible
- High efficiency disc valve
- Integral check valves
- For use with reduction gearbox

SYMBOL



SHAFT ROTATION



ALSO AVAILABLE

- Integral brake
- Tacho drive

MSSS SIZE	DISPLACEMENT		MAXIMUM PRESSURE DROP				MAXIMUM SPEED	
	cc/rev	cu.in/rev	lbf/in ²		bar		rpm	
			cont.	int.	cont.	int.	cont.	int.
75	81.8	4.91	3050	3990	210	275	810	1000
100	101.3	5.00	3050	3990	210	275	750	900
125	126.3	7.72	3050	3990	210	275	600	720
150	161.0	9.85	3050	3770	210	260	450	560
200	201.2	12.31	3050	3630	210	250	375	450
250	251.2	15.36	2900	3630	200	250	300	360
300	315.9	19.32	2900	3480	200	240	240	285
400	400.4	24.49	2030	2540	140	175	190	230

Maximum inlet pressure 4350 psi - 300 bar

Maximum pressure drop and speed must not be reached simultaneously.

Intermittent operation = 10% Operation of every minute.

At speeds lower than 10 rpm please consult our Technical Department.

Mineral based hydraulic fluids with anti-wear additives are recommended, with a viscosity of 35 mm²/s at a temperature of 50°C.

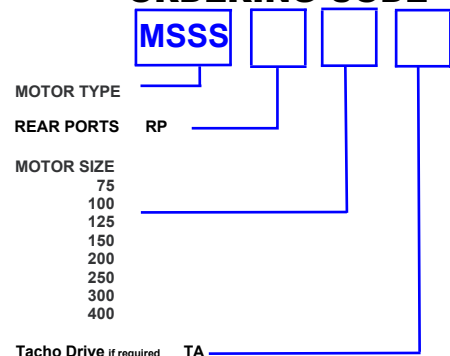
Where non-flammable fluids are to be used it is advisable to consult our Technical Department.

Normal operating temperature 30° to 60° C.

Minimum operating temperature -30° C.

Maximum operating temperature + 85° C.

ORDERING CODE



The policy of Adan Limited is one of continual development and the right is reserved to alter specifications without notice.

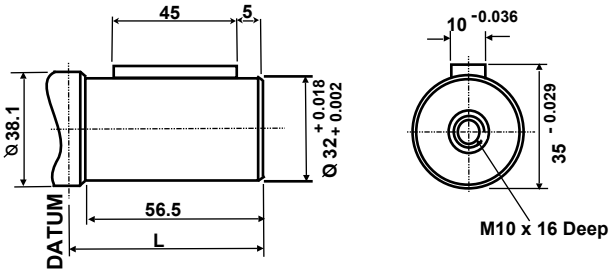


ADAN LIMITED

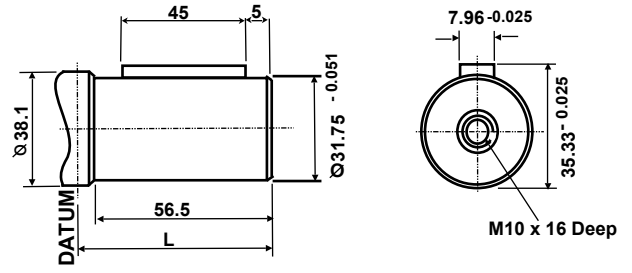
RIVERSIDE IND. ESTATE BOSTON LINCOLNSHIRE ENGLAND
 Tel: +44 (01205) 311500 Fax: +44 (01205) 358013
 email: sales@adanltd.co.uk website: www.adanltd.co.uk



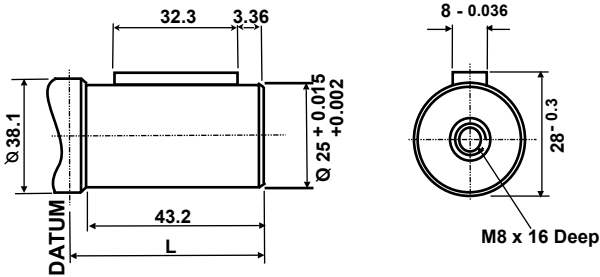
Standard 32mm Shaft - P



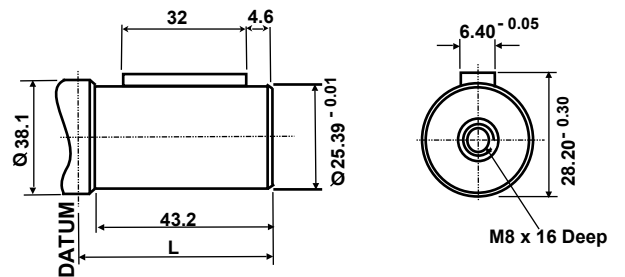
1 1/4" Dia. Shaft - U



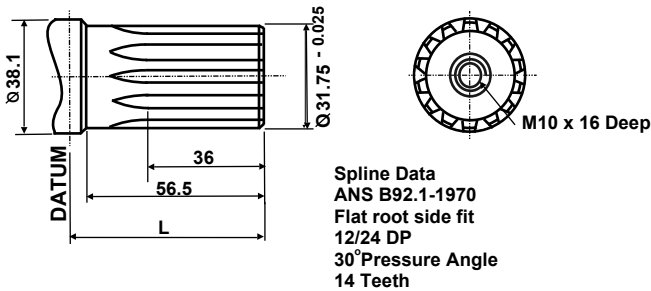
Metric 25mm Shaft - M



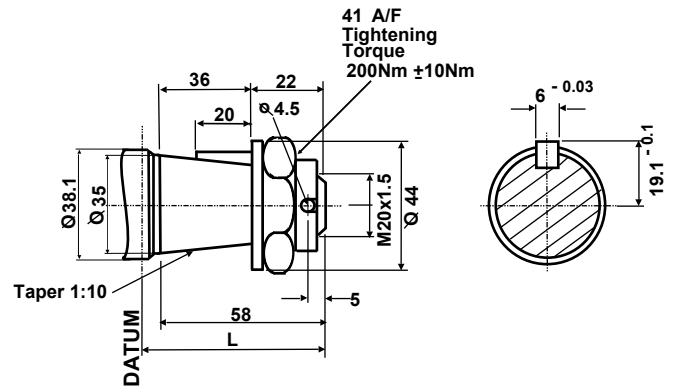
1" Dia Shaft - E



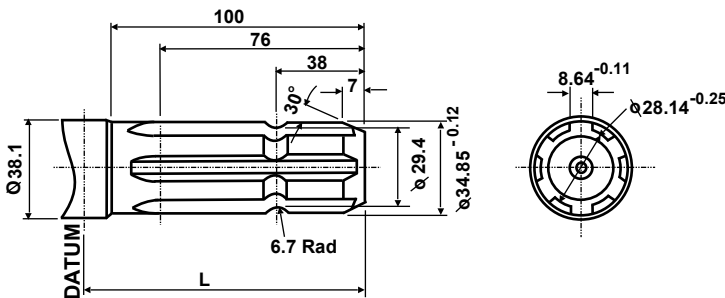
Splined Shaft - S



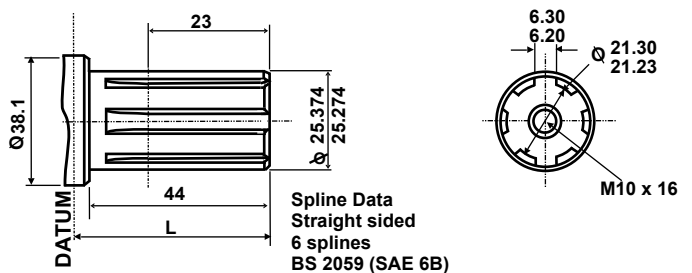
Tapered Shaft - T



PTO Shaft - D



6 Splined Shaft - 6S



Dim.	MOTOR TYPE	SHAFT TYPE							
		P	U	M	E	S	T	D	6S
L	MSA/MSAM	65.5	65.5	52.2	52.2	65.5	65.5	108.5	50.5
	MSW	103.5	103.5	90.2	90.2	103.5	103.5	146.5	88.5
	MSAS	53.5	53.5	40.2	40.2	53.5	53.5	96.5	38.5

The policy of Adan Limited is one of continual development and the right is reserved to alter specifications without notice.



ADAN LIMITED

RIVERSIDE IND. ESTATE BOSTON LINCOLNSHIRE ENGLAND
 Tel: +44 (0)1205 311500 Fax: +44 (0)1205 358013
 email: sales@adanltd.co.uk website: www.adanltd.co.uk



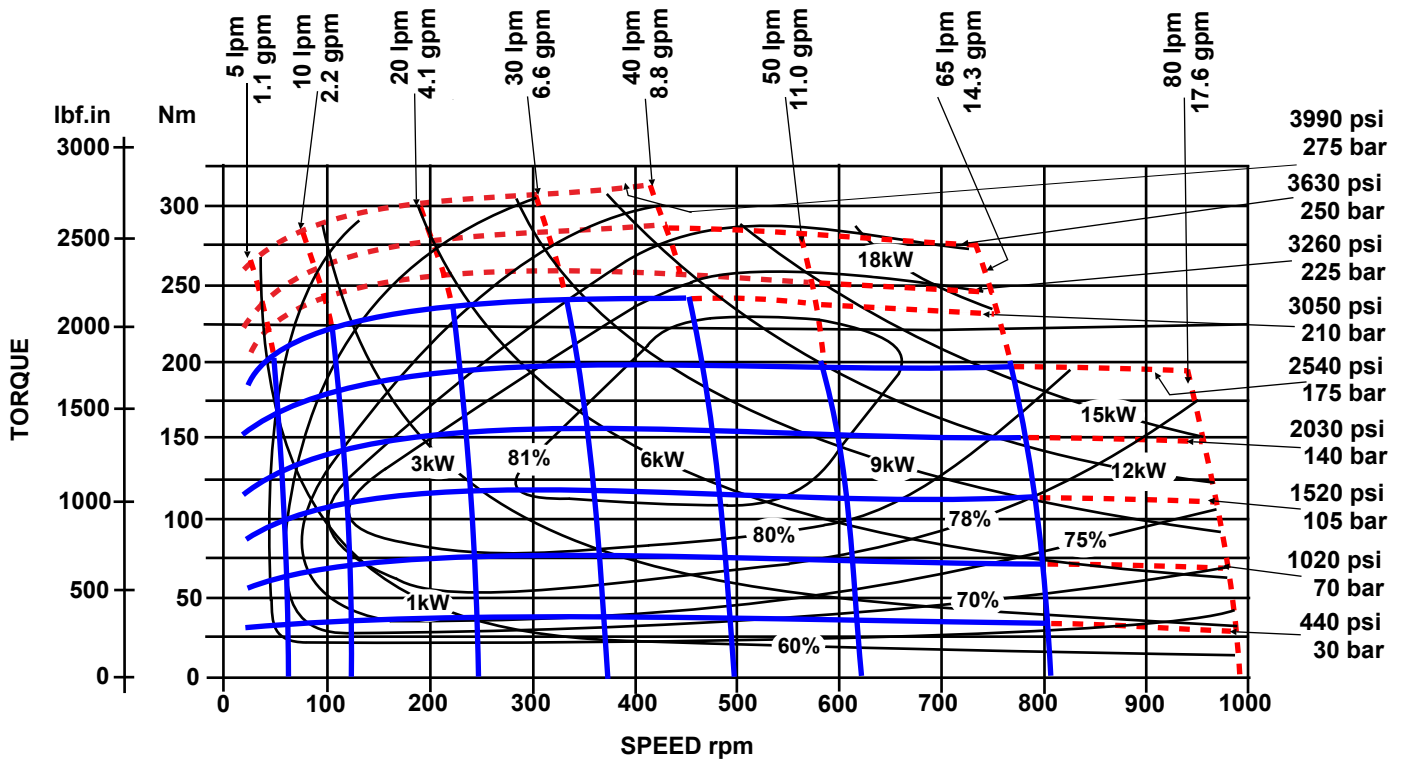
ADAN HYDRAULIC MOTOR MS SERIES

PERFORMANCE GRAPHS

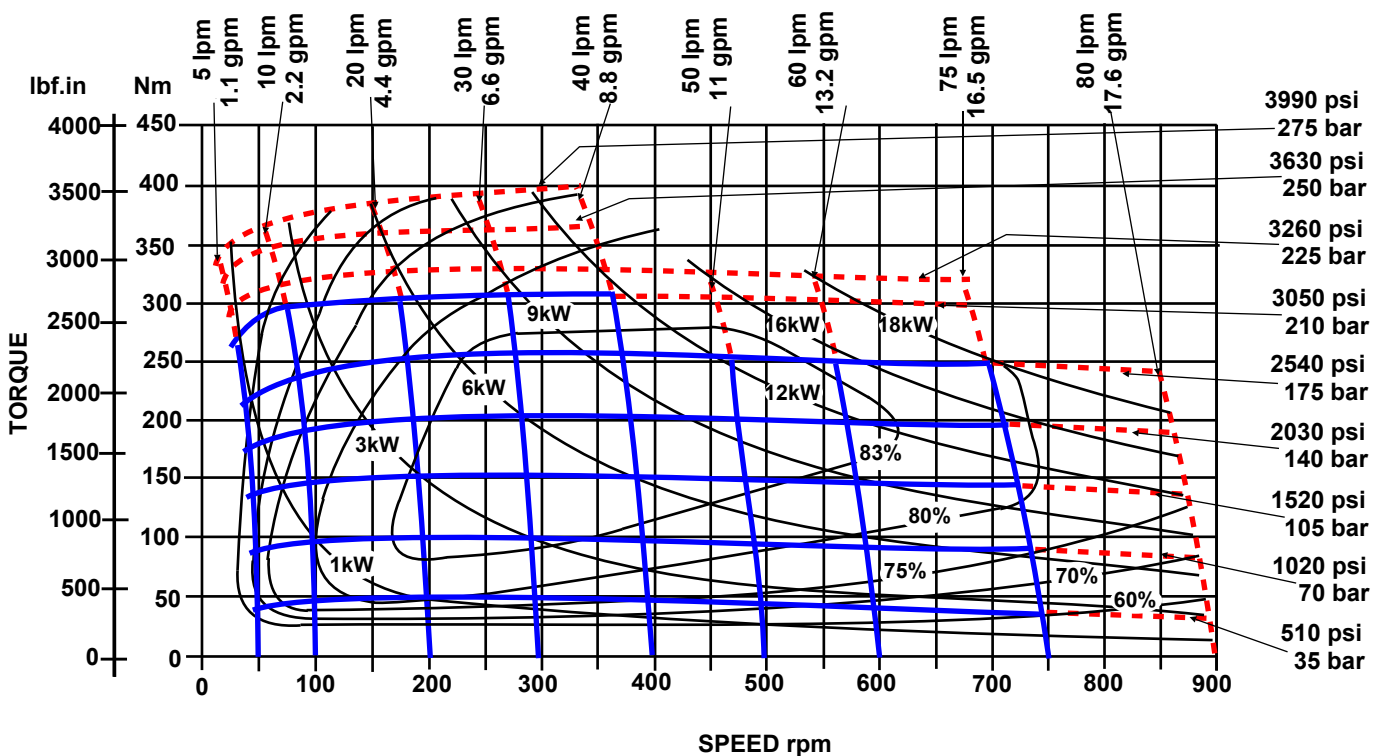
Solid lines represent continuous operation. Dotted lines represent intermittent operation permissible for 10% of every minute. Maximum pressure drop and maximum speed must not occur simultaneously.

Maximum values are dependant on shaft type see tables on pages 2, 4, 6, 8 & 12

MSA 75



MSA 100

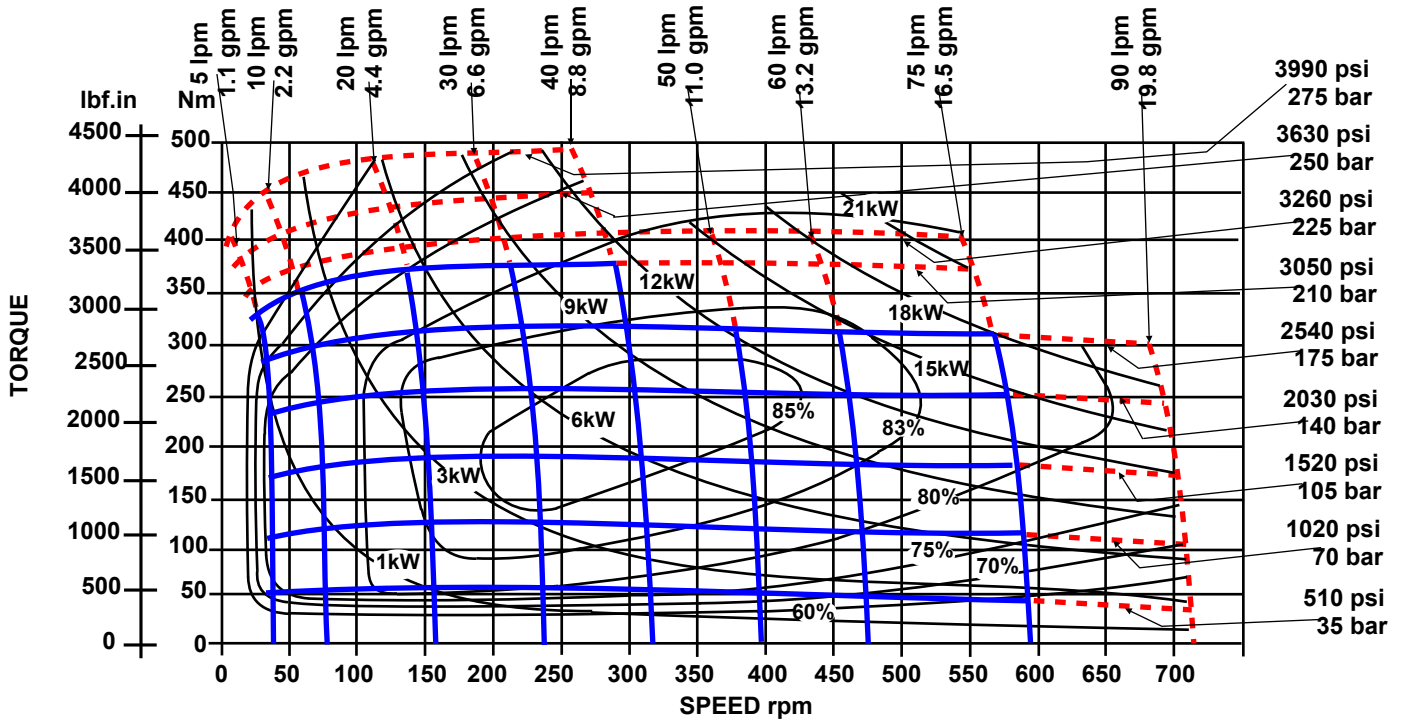


PERFORMANCE GRAPHS

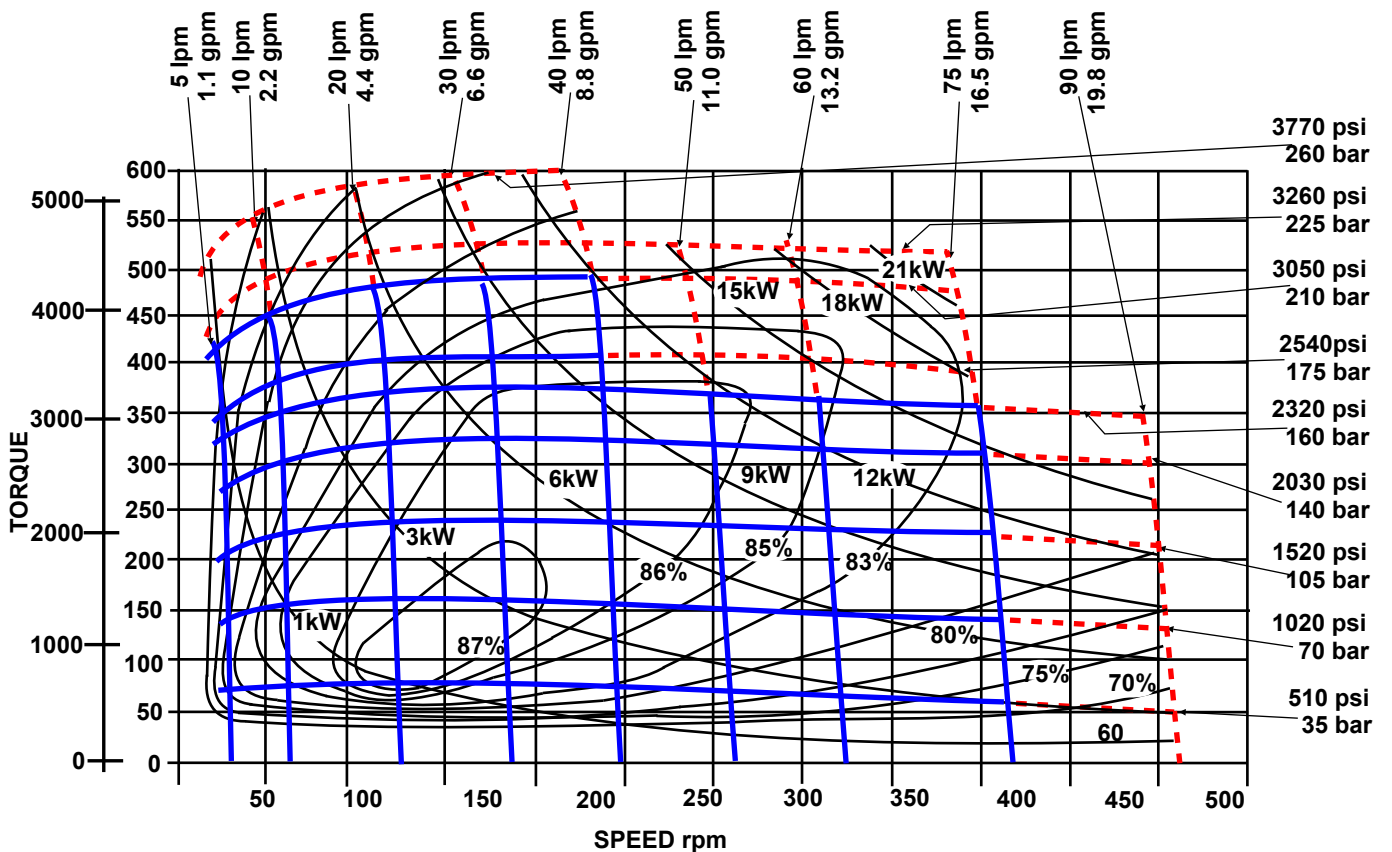
Solid lines represent continuous operation. Dotted lines represent intermittent operation permissible for 10% of every minute. Maximum pressure drop and maximum speed must not occur simultaneously.

Maximum values are dependant on shaft type see tables on pages 2, 4, 6, 8 & 12

MSA 125



MSA 150

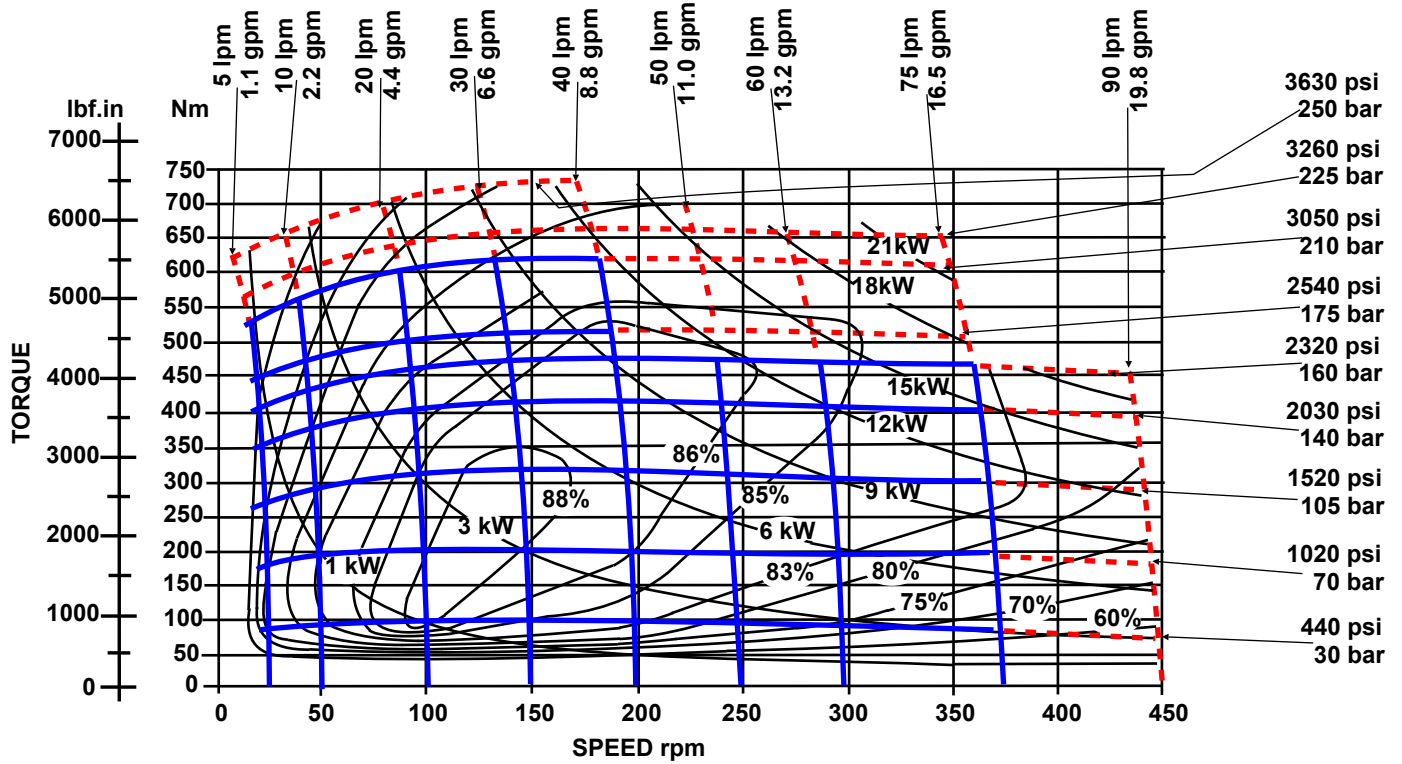


PERFORMANCE GRAPHS

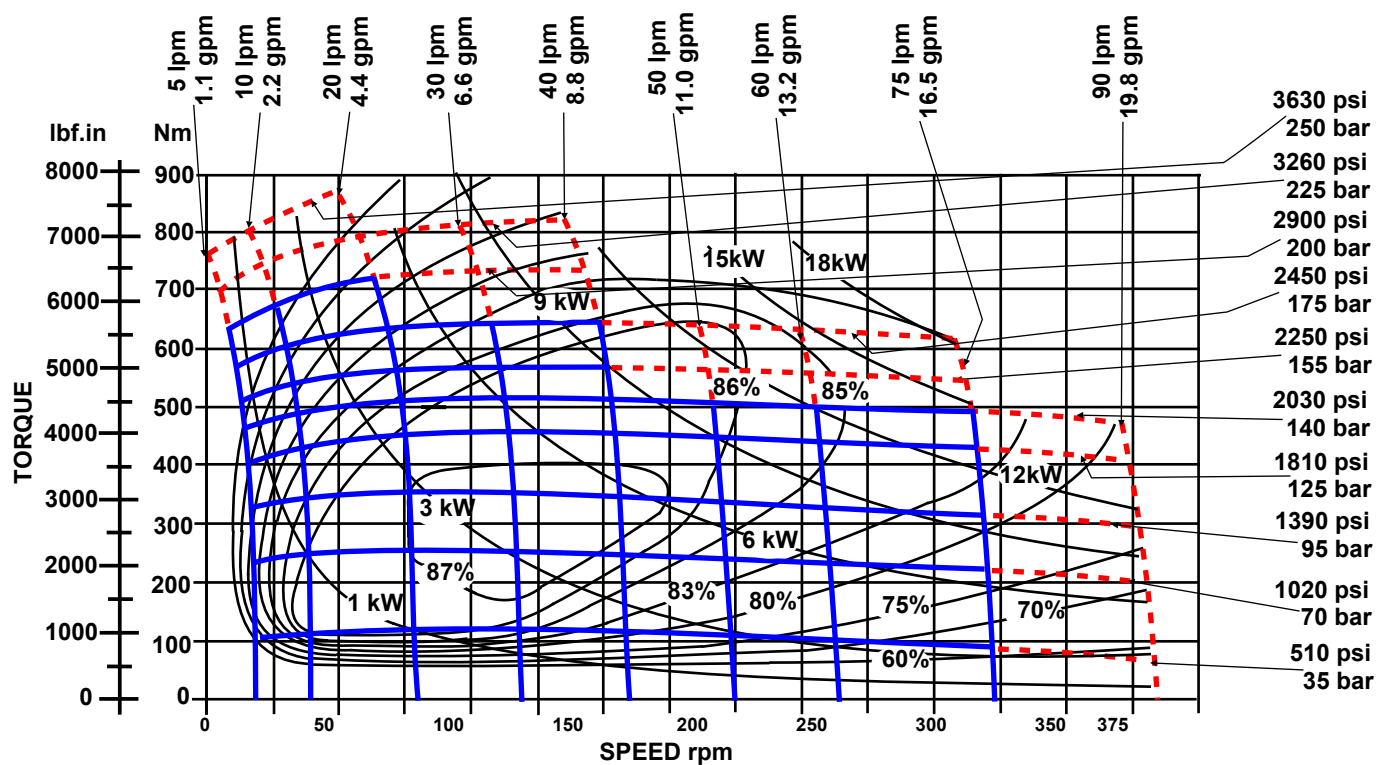
Solid lines represent continuous operation. Dotted lines represent intermittent operation permissible for 10% of every minute. Maximum pressure drop and maximum speed must not occur simultaneously.

Maximum values are dependant on shaft type see tables on pages 2, 4, 6, 8 & 12

MSA 200



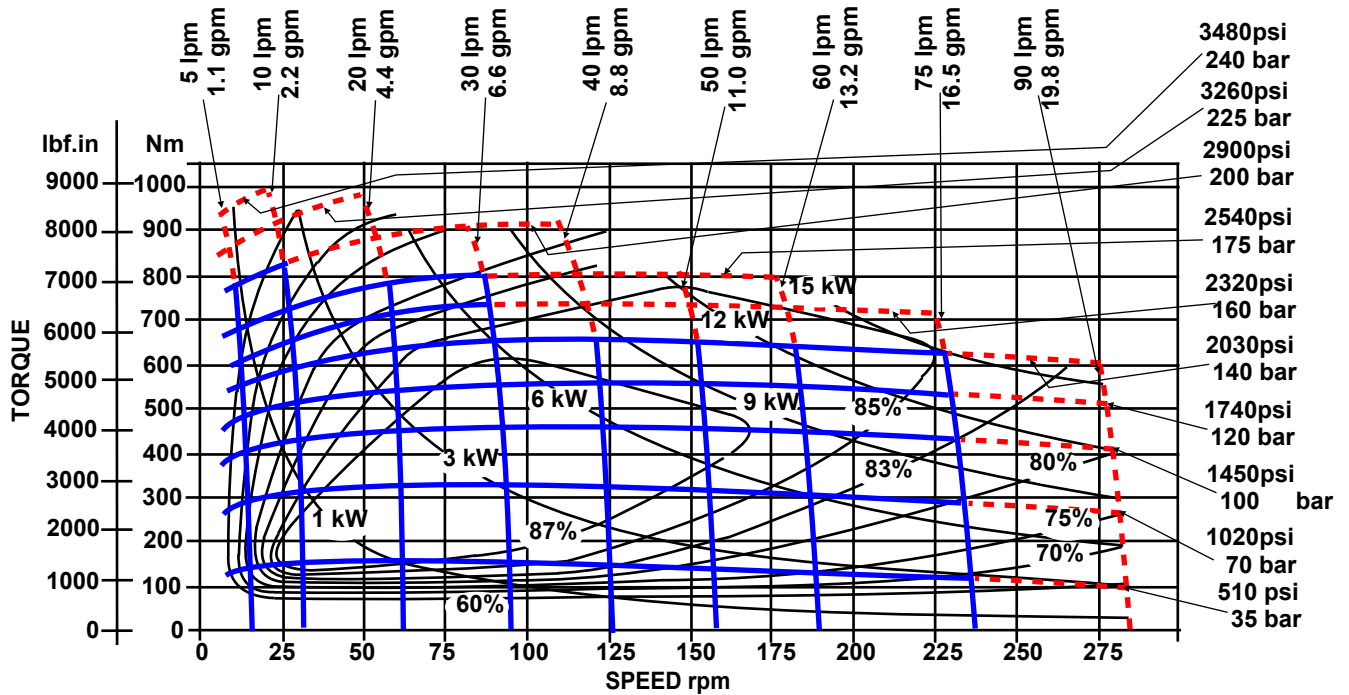
MSA 250



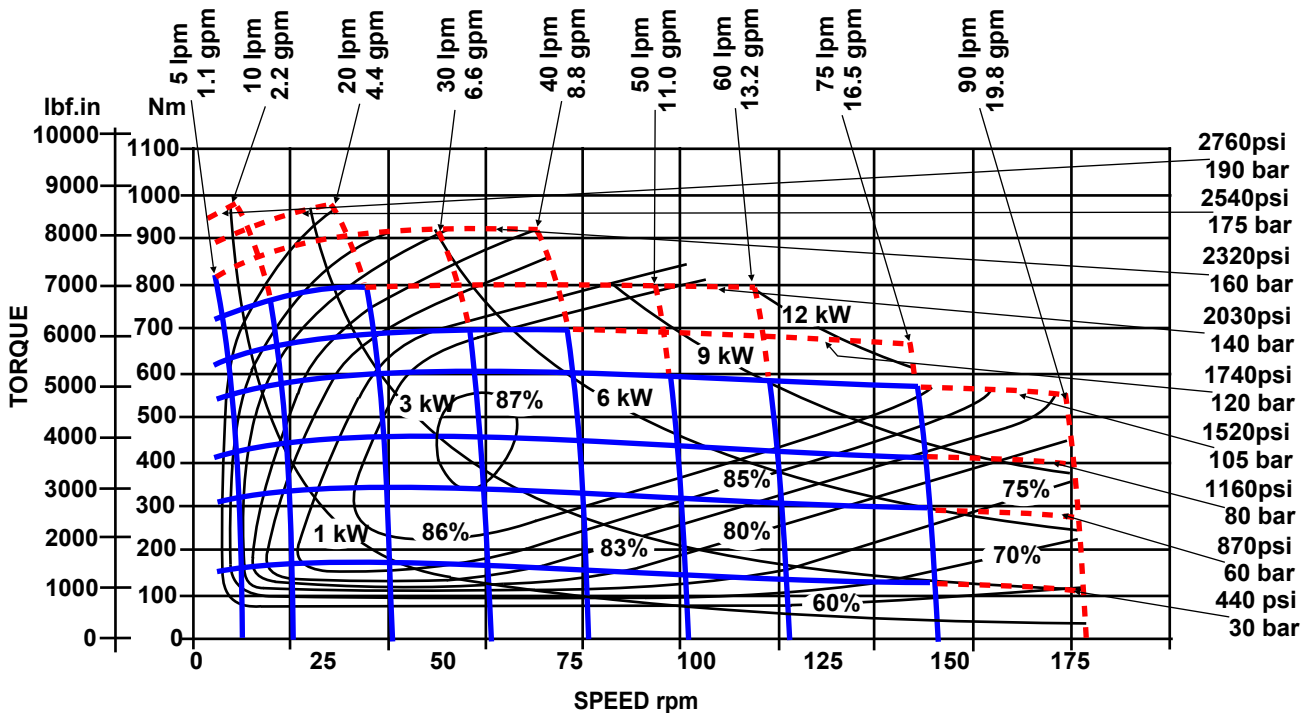
PERFORMANCE GRAPHS

Solid lines represent continuous operation. Dotted lines represent intermittent operation permissible for 10% of every minute. Maximum pressure drop and maximum speed must not occur simultaneously. Maximum values are dependant on shaft type see tables on pages 2, 4, 6, 8 & 12

MSA 300



MSA 400



The policy of Adan Limited is one of continual development and the right is reserved to alter specifications without notice.



ADAN LIMITED

RIVERSIDE IND. ESTATE BOSTON LINCOLNSHIRE ENGLAND
 Tel: +44 (01205) 311500 Fax: +44 (01205) 358013
 email: sales@adanltd.co.uk website: www.adanltd.co.uk

