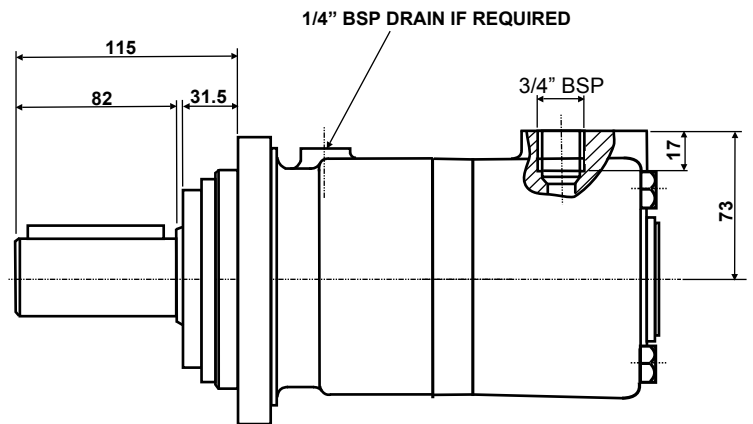
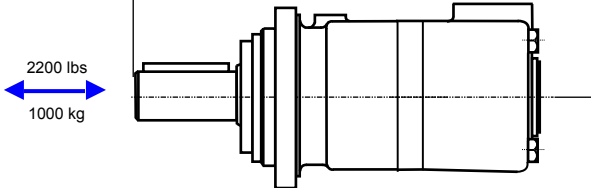
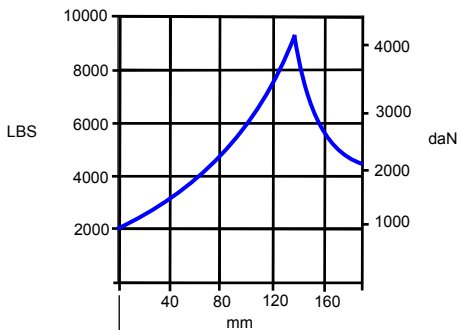
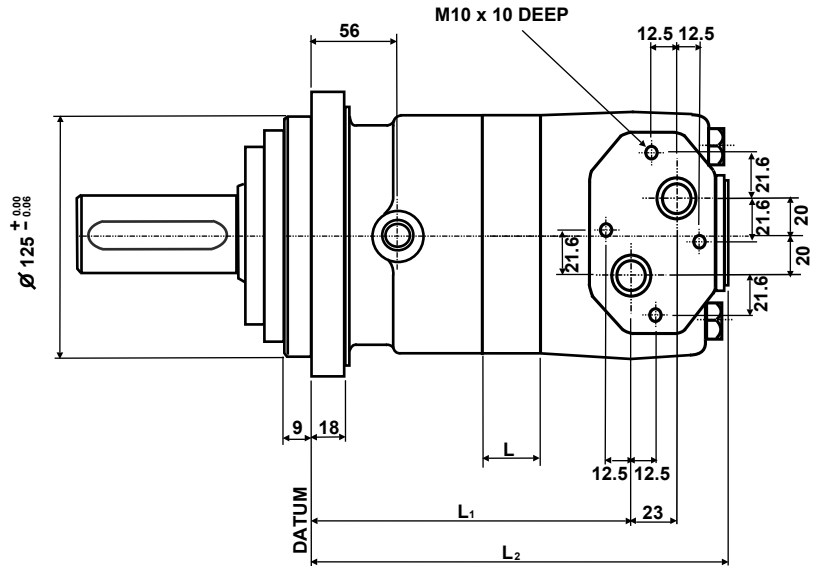
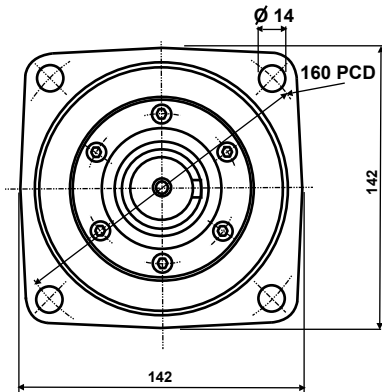
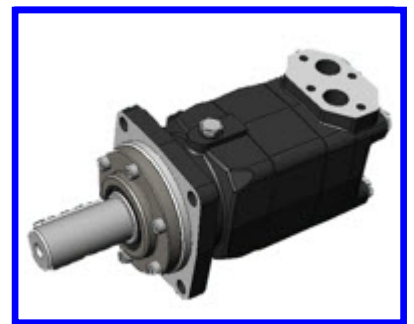




MTAP SERIES

HYDRAULIC MOTOR

HIGH TORQUE - LOW SPEED



For performance graphs see MT performance sheets
For shaft details see MT shaft variants

MTAP SERIES			130	160	200	250	300	400	500
DIM	L	mm	12	15	20	26	36	46	60
DIM	L 1	mm	134	137	142	146	158	168	182
DIM	L 2	mm	185	188	193	199	209	219	233
WEIGHT		kg	21.5	22	22.5	23	24	25	26

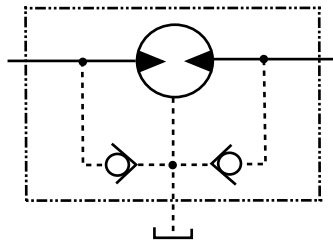
CONSTRUCTION FEATURES

- Fully reversible
- High efficiency disc valve
- Substantial shaft bearings
- High pressure shaft seal
- Integral check valves

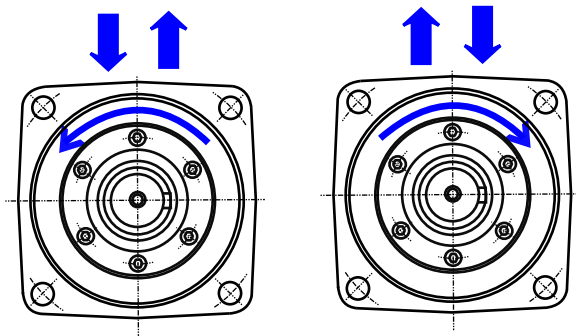
ALSO AVAILABLE

- Integral brake
- Shaft options
- Tacho drive

SYMBOL



SHAFT ROTATION



MTAP SIZE	DISPLACEMENT		MAXIMUM PRESSURE DROP				MAXIMUM SPEED	
	cc/rev	cu.in/rev	lbf/in ²		bar		rpm	
			cont.	int.	cont.	int.	cont.	int.
130	142	8.6	3000	3500	200	240	725	825
160	161	9.8	3000	3500	200	240	625	750
200	201	12.3	3000	3500	200	240	625	750
250	250	15.2	3000	3500	200	240	500	600
300	330	20.2	3000	3500	200	240	380	460
400	411	25.1	2500	3000	180	210	300	360
500	524	32.0	2250	2500	160	180	240	285

Maximum inlet pressure 4350 psi - 300 bar

High pressure shaft seal drain line not required for most applications.

Maximum pressure drop and speed must not be reached simultaneously.

Intermittent operation = 10% Operation of every minute.

At speeds lower than 10 rpm please consult our Technical Department.

Mineral based hydraulic fluids with anti-wear additives are recommended, with a viscosity of 35 mm²/s at a temperature of 50°

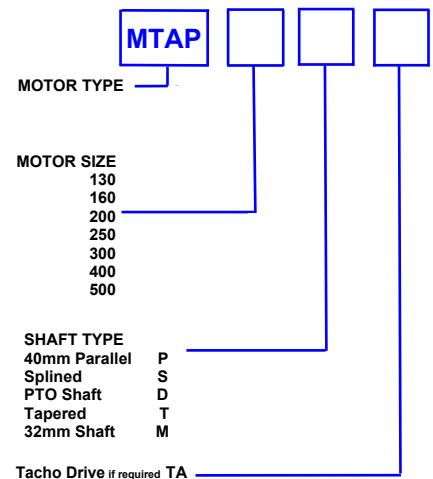
Where non-flammable fluids are to be used it is advisable to consult our Technical Department.

Normal operating temperature 30° to 60° C.

Minimum operating temperature -30° C.

Maximum operating temperature + 85° C.

ORDERING CODE



The policy of Adan Limited is one of continual development and the right is reserved to alter specifications without notice.



ADAN LIMITED

RIVERSIDE IND. ESTATE BOSTON LINCOLNSHIRE ENGLAND

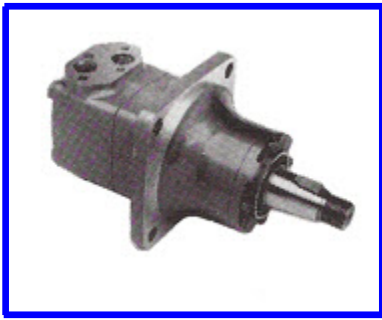
Tel: +44 (01205) 311500

Fax: +44 (01205) 358013

email: sales@adanltd.co.uk

website: www.adanltd.co.uk

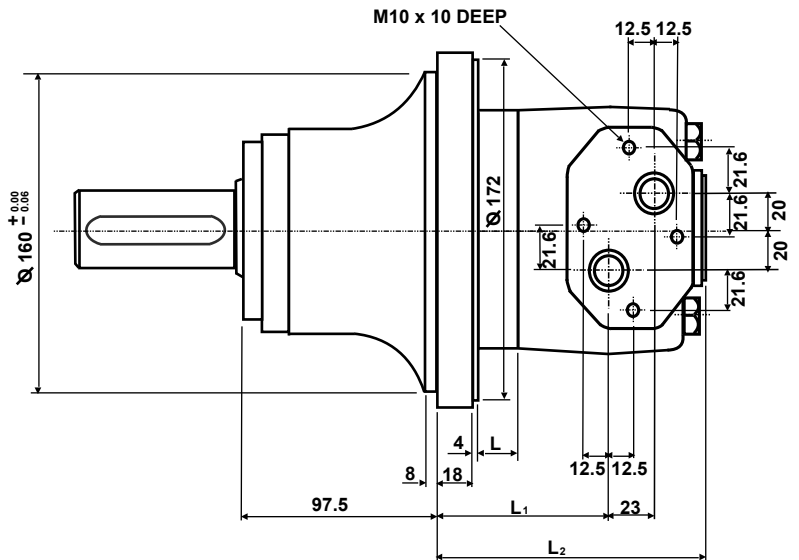
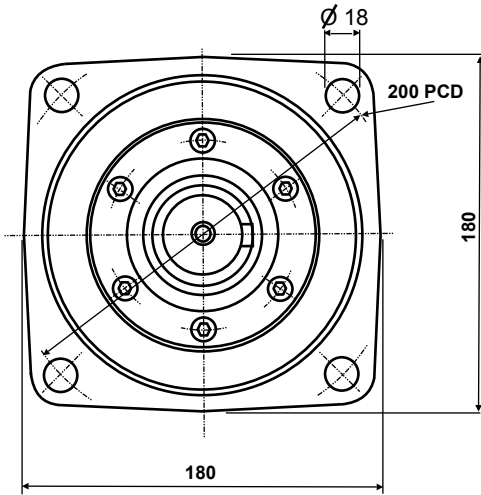
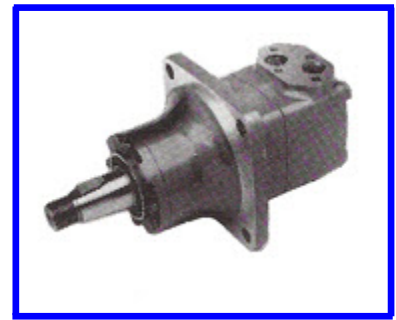




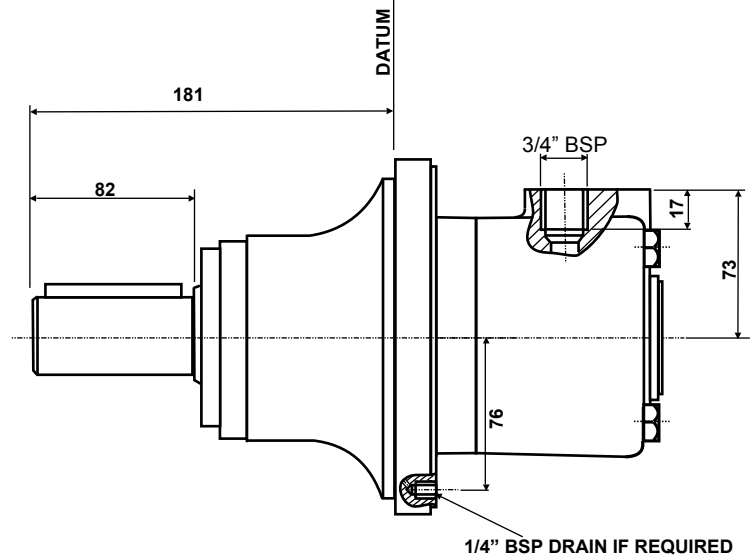
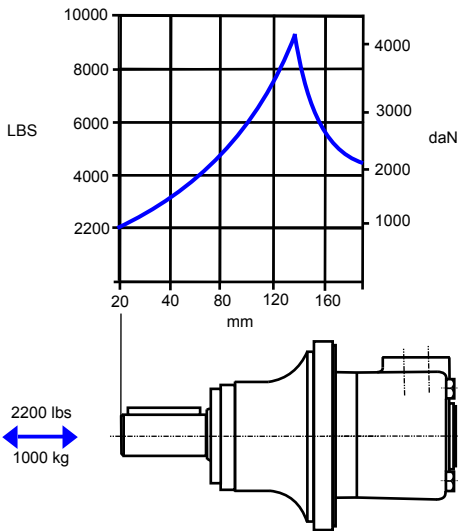
MTWP SERIES

HYDRAULIC MOTOR

HIGH TORQUE - LOW SPEED



SHAFT LOADING



For performance graphs see MT performance sheets
For shaft details see MT shaft variants

MTWP SERIES			130	160	200	250	300	400	500
DIM	L	mm	12	15	20	26	36	46	60
DIM	L 1	mm	68.5	71.5	76.5	82.5	92.5	102.5	116.5
DIM	L 2	mm	119.5	122.5	127.5	133.5	143.5	153.5	167.5
WEIGHT		kg	23	23	24	25	27	28	29

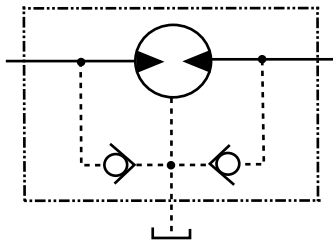
CONSTRUCTURAL FEATURES

- Fully reversible
- High efficiency disc valve
- Substantial shaft bearings
- High pressure shaft seal
- Integral check valves

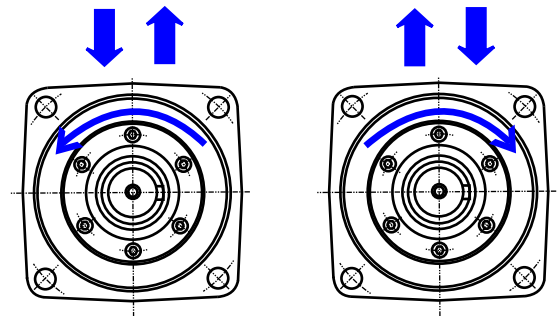
ALSO AVAILABLE

- Integral brake
- Shaft options
- Tacho drive

SYMBOL



SHAFT ROTATION



MTWP SIZE	DISPLACEMENT		MAXIMUM PRESSURE DROP				MAXIMUM SPEED	
	cc/rev	cu.in/rev	lbf/in ²		bar		rpm	
			cont.	int.	cont.	int.	cont.	int.
130	142	8.6	3000	3500	200	240	725	825
160	161	9.8	3000	3500	200	240	625	750
200	201	12.3	3000	3500	200	240	625	750
250	250	15.2	3000	3500	200	240	500	600
300	330	20.2	3000	3500	200	240	380	460
400	411	25.1	2500	3000	180	210	300	360
500	524	32.0	2250	2500	160	180	240	285

ORDERING CODE

Maximum inlet pressure 4350 psi - 300 bar

High pressure shaft seal drain line not required for most applications.

Maximum pressure drop and speed must not be reached simultaneously.

Intermittent operation = 10% Operation of every minute.

At speeds lower than 10 rpm please consult our Technical Department.

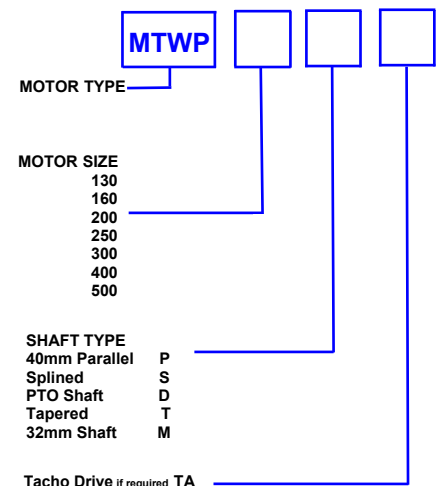
Mineral based hydraulic fluids with anti-wear additives are recommended, with a viscosity of 35 mm²/s at a temperature of 50°

Where non-flammable fluids are to be used it is advisable to consult our Technical Department.

Normal operating temperature 30° to 60° C.

Minimum operating temperature -30° C.

Maximum operating temperature + 85° C.



The policy of Adan Limited is one of continual development and the right is reserved to alter specifications without notice.



ADAN LIMITED

RIVERSIDE IND. ESTATE BOSTON LINCOLNSHIRE ENGLAND

Tel: +44 (01205) 311500

Fax: +44 (01205) 358013

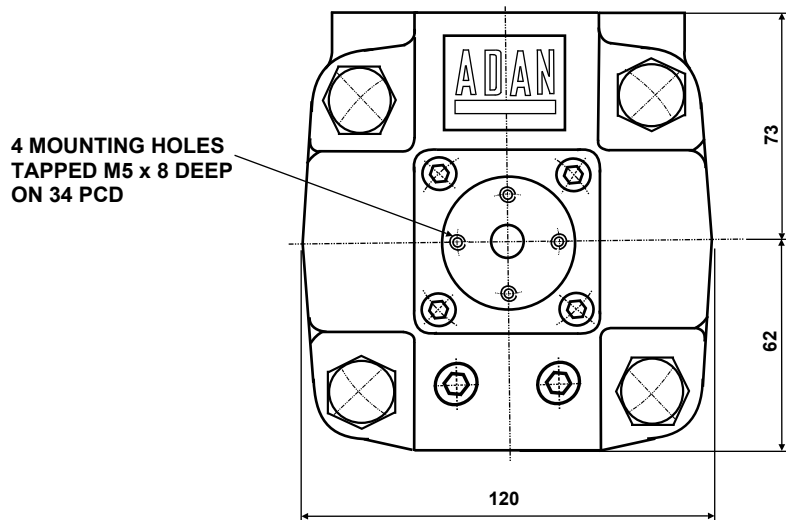
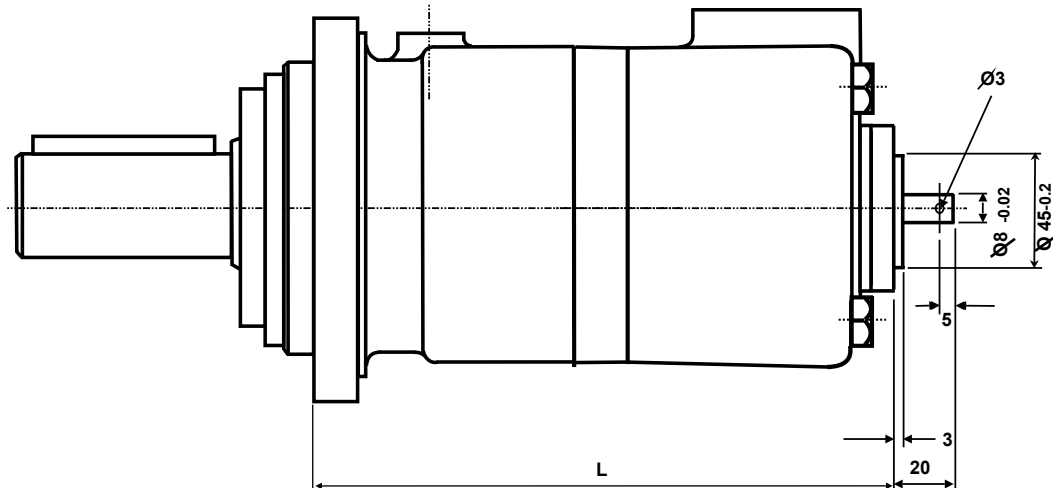
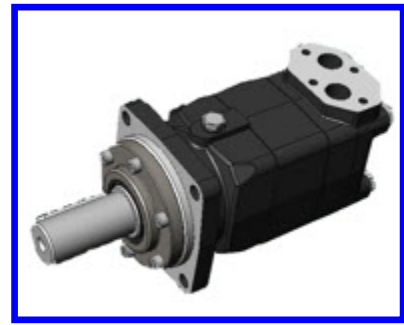
email: sales@adanltd.co.uk

website: www.adanltd.co.uk





MT SERIES
HYDRAULIC MOTOR
HIGH TORQUE - LOW SPEED
WITH TACHO DRIVE SHAFT



For full motor details see appropriate MT data sheets
For performance graphs see MT performance sheets
For shaft details see MT shaft variants

DIMENSION L (mm)

MOTOR SIZE	130	160	200	250	300	400	500
MTAP	202	204	209	215	225	235	249
MTWP	135.5	138.5	143.5	149.5	159.5	169.5	183.5
MTS	146	149	154	160	170	180	194
MTSS	132.6	135.6	140.6	146.6	156.6	166.6	180.6

The policy of Adan Limited is one of continual development and the right is reserved to alter specifications without notice.



ADAN LIMITED

RIVERSIDE IND. ESTATE BOSTON LINCOLNSHIRE ENGLAND
 Tel: +44 (01205) 311500 Fax: +44 (01205) 358013
 email: sales@adanltd.co.uk website: www.adanltd.co.uk



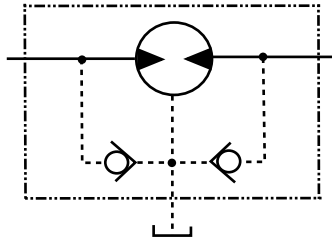
CONSTRUCTURAL FEATURES

- Fully reversible
- High efficiency disc valve
- Substantial shaft bearings
- High pressure shaft seal
- Integral check valves

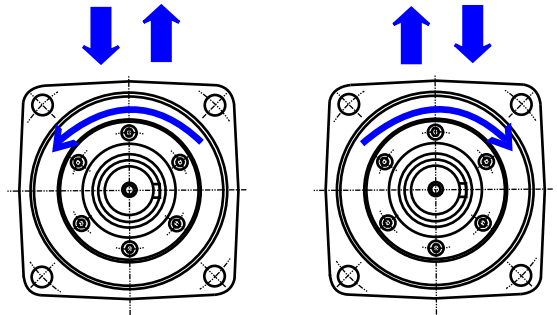
ALSO AVAILABLE

- Tacho drive
- Shaft options
- Integral brake

SYMBOL

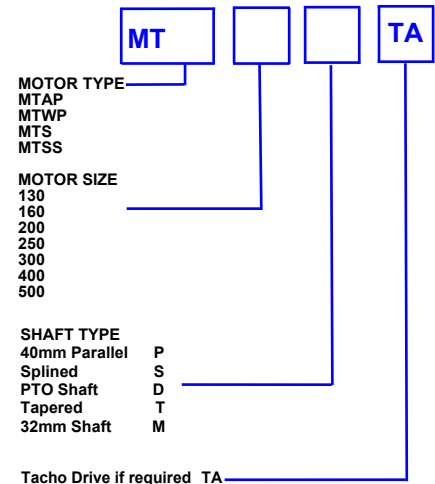


SHAFT ROTATION



MT-T SIZE	DISPLACEMENT		MAXIMUM PRESSURE DROP				MAXIMUM SPEED	
	cc/rev	cu.in/rev	lbf/in ²		bar		rpm	
			cont.	Int.	cont.	int.	cont.	int.
130	142	8.6	3000	3500	200	240	725	825
160	161	9.8	3000	3500	200	240	625	750
200	201	12.3	3000	3500	200	240	625	750
250	250	15.2	3000	3500	200	240	500	600
300	330	20.2	3000	3500	200	240	380	460
400	411	25.1	2500	3000	180	210	300	360
500	524	32.2	2250	2500	160	180	240	285

ORDERING CODE



Maximum inlet pressure 4350 psi - 300 bar

High pressure shaft seal drain line not required for most applications.

Maximum pressure drop and speed must not be reached simultaneously.

Intermittent operation = 10% Operation of every minute.

At speeds lower than 10 rpm please consult our Technical Department.

Mineral based hydraulic fluids with anti-wear additives are recommended, with a viscosity of 35 mm²/s at a temperature of 50°

Where non-flammable fluids are to be used it is advisable to consult our Technical Department.

Normal operating temperature 30° to 60° C.

Minimum operating temperature -30° C.

Maximum operating temperature + 85° C.

The policy of Adan Limited is one of continual development and the right is reserved to alter specifications without notice.



ADAN LIMITED

RIVERSIDE IND. ESTATE BOSTON LINCOLNSHIRE ENGLAND

Tel: +44 (01205) 311500

email: sales@adanltd.co.uk

Fax: +44 (01205) 358013

website: www.adanltd.co.uk

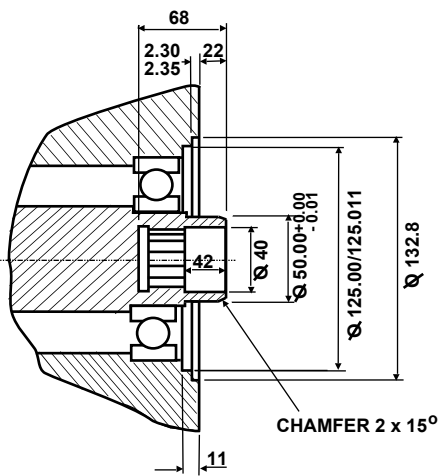
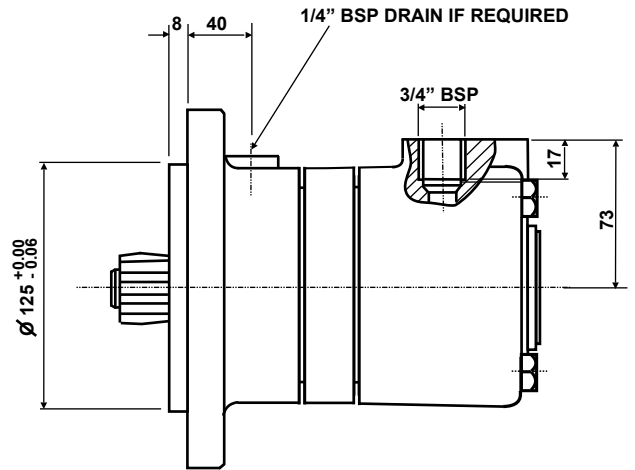
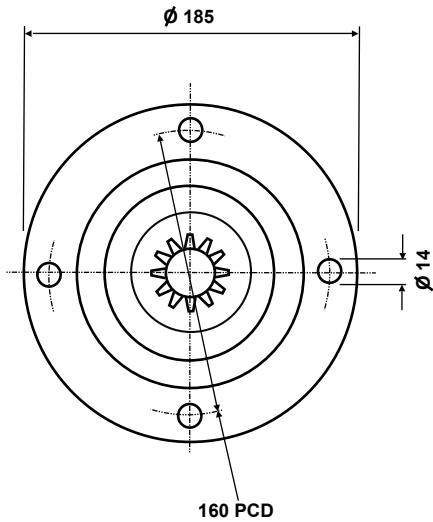
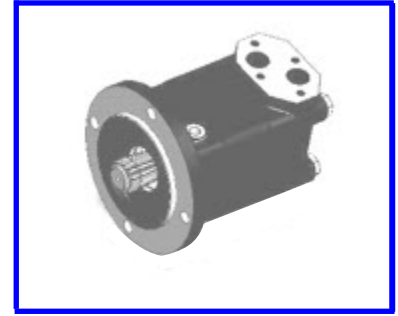




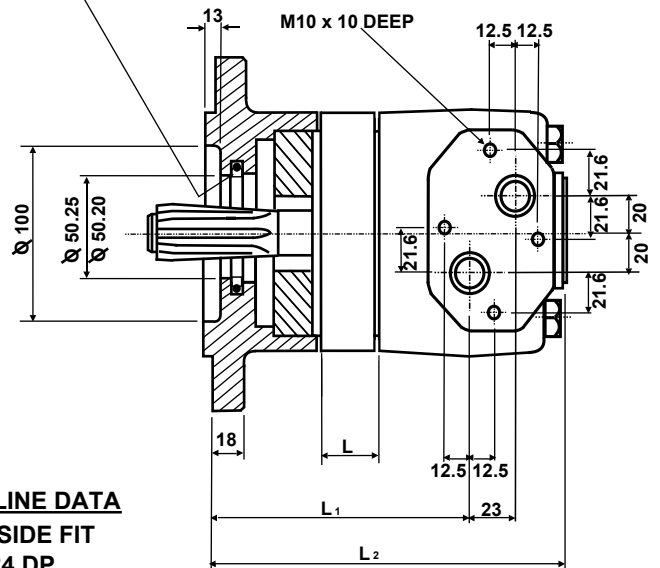
MTS SERIES

HYDRAULIC MOTOR

HIGH TORQUE - LOW SPEED



SHAFT SEAL FITTED WHEN SPECIFIED



MATING COMPONENT MATERIAL
CASE HARDENING STEEL
TREATED TO 58/60 ROCKWELL 'C'
0.7 mm CASE DEPTH.

INTERNAL SPLINE DATA
FILLET ROOT SIDE FIT
16 TEETH 12/24 DP
30° PRESSURE ANGLE

For performance graphs see MT performance sheets

MTS SERIES			130	160	200	250	300	400	500
DIM	L	mm	12	15	20	26	36	46	60
DIM	L ₁	mm	107	110	115	117	127	141	155
DIM	L ₂	mm	160	163	168	174	184	194	208
WEIGHT	kg		14.3	14.8	15.3	15.8	16.8	17.8	19.3

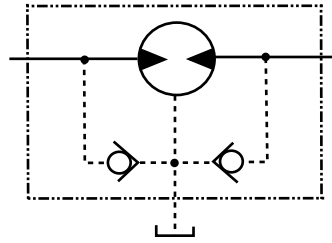
CONSTRUCTION FEATURES

- Fully reversible
- High efficiency disc valve
- For use with reduction units
- High pressure shaft seal available
- Integral check valves

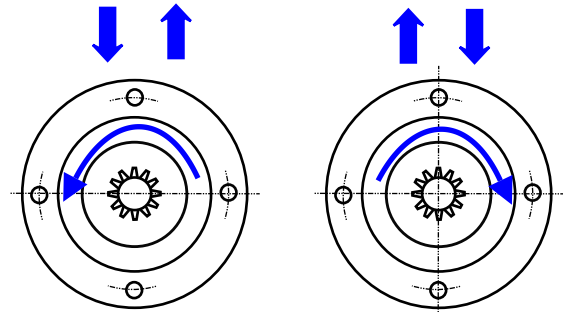
ALSO AVAILABLE

- Integral brake
- Tacho drive

SYMBOL



SHAFT ROTATION



MTS SIZE	DISPLACEMENT		MAXIMUM PRESSURE DROP				MAXIMUM SPEED	
	cc/rev	cu.in/rev	lbf/in ²		bar		rpm	
			cont.	int.	cont.	int.	cont.	int.
130	142	8.6	3000	3500	200	240	725	825
160	161	9.8	3000	3500	200	240	625	750
200	201	12.3	3000	3500	200	240	625	750
250	250	15.2	3000	3500	200	240	500	600
300	330	20.2	3000	3500	200	240	380	460
400	411	25.1	2500	3000	180	210	300	360
500	524	32.0	2250	2500	160	180	240	285

Maximum inlet pressure 4350 psi - 300 bar

Maximum pressure drop and speed must not be reached simultaneously.

Intermittent operation = 10% Operation of every minute.

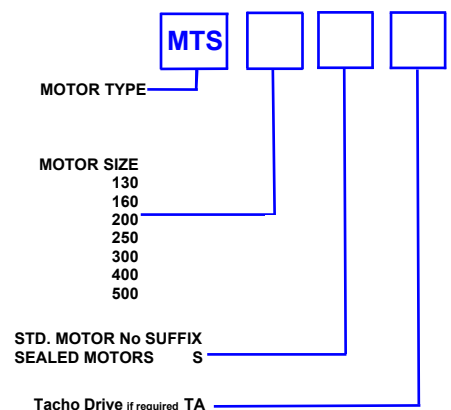
At speeds lower than 10 rpm please consult our Technical Department.

Mineral based hydraulic fluids with anti-wear additives are recommended, with a viscosity of 35 mm²/s at a temperature of 50°

Where non-flammable fluids are to be used it is advisable to consult our Technical Department.

Normal operating temperature 30° to 60° C.
 Minimum operating temperature -30° C.
 Maximum operating temperature + 85° C.

ORDERING CODE



PLEASE NOTE !

A drain line must be used if the back pressure exceeds the rating of the shaft seal on any attachment.

The policy of Adan Limited is one of continual development and the right is reserved to alter specifications without notice.



ADAN LIMITED

RIVERSIDE IND. ESTATE BOSTON LINCOLNSHIRE ENGLAND

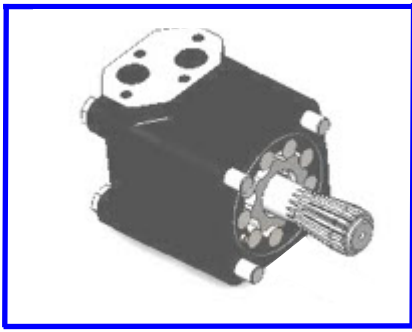
Tel: +44 (01205) 311500

email: sales@adanltd.co.uk

Fax: +44 (01205) 358013

website: www.adanltd.co.uk

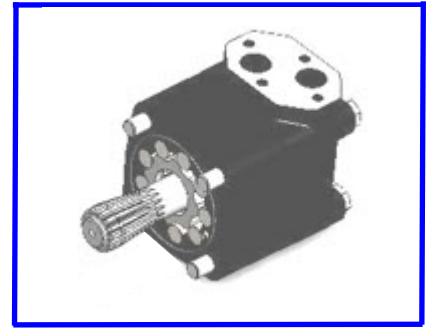




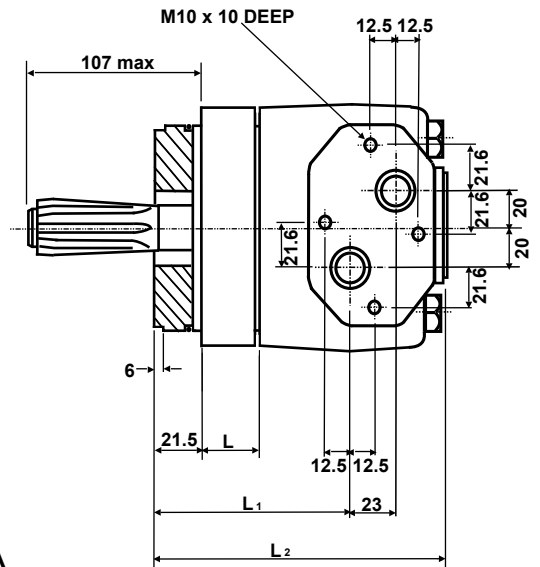
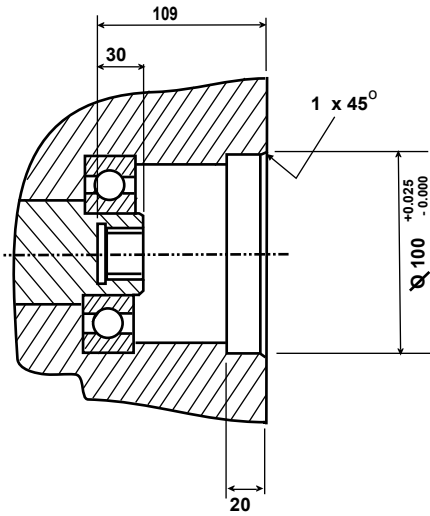
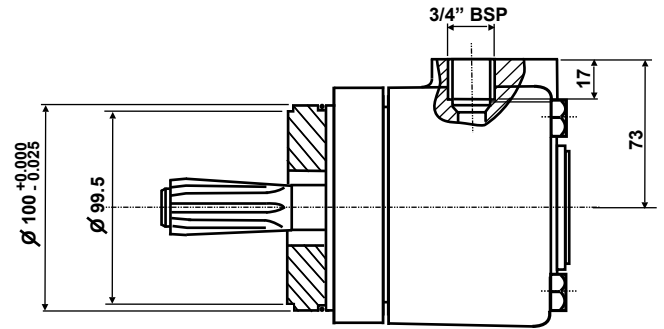
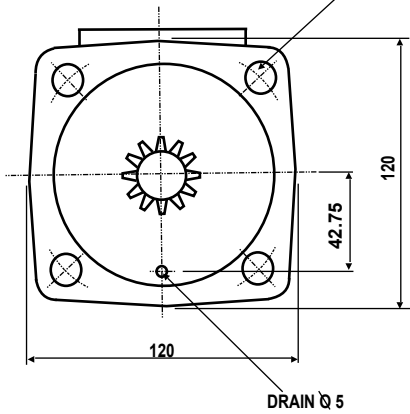
MTSS SERIES

HYDRAULIC MOTOR

HIGH TORQUE - LOW SPEED



4 MOUNTING BOLTS M14
EQUI-SPACED ON 122 PCD



MATING COMPONENT MATERIAL
CASE HARDENING STEEL
TREATED TO 58/60 ROCKWELL 'C'
0.7 mm CASE DEPTH.

INTERNAL SPLINE DATA
FILLET ROOT SIDE FIT
16 TEETH 12/24 DP
30° PRESSURE ANGLE

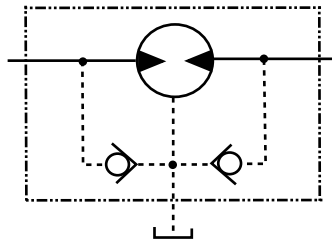
For performance graphs see MT performance

MTSS SERIES	130	160	200	250	300	400	500
DIM L mm	12	15	20	26	36	46	60
DIM L ₁ mm	65.6	168.6	173.6	79.6	89.6	99.6	113.6
DIM L ₂ mm	116.6	119.6	124.6	130.6	140.6	150.6	164.6
WEIGHT kg	9.3	9.8	10.3	10.8	11.8	12.8	14.3

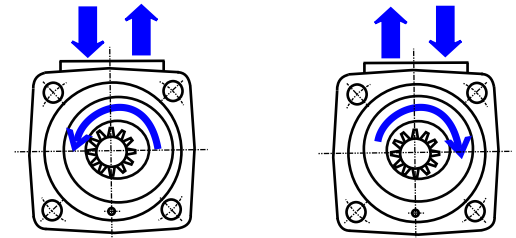
CONSTRUCTION FEATURES

- Fully reversible
- High efficiency disc valve
- Integral check valves
- For use with reduction units
- **ALSO AVAILABLE**
- Integral brake
- Tacho drive

SYMBOL



SHAFT ROTATION



MTSS SIZE	DISPLACEMENT		MAXIMUM PRESSURE DROP				MAXIMUM SPEED	
	cc/rev	cu.in/rev	lbf/in ²		bar		rpm	
			cont.	Int.	cont.	Int.	cont.	int.
130	142	8.6	3000	3500	200	240	725	825
160	161	9.8	3000	3500	200	240	625	750
200	201	12.3	3000	3500	200	240	625	750
250	250	15.2	3000	3500	200	240	500	600
300	330	20.2	3000	3500	200	240	380	460
400	411	25.1	2500	3000	180	210	300	360
500	524	32.0	2250	2500	160	180	240	285

Maximum inlet pressure 4350 psi - 300 bar

Maximum pressure drop and speed must not be reached simultaneously.

Intermittent operation = 10% Operation of every minute.

At speeds lower than 10 rpm please consult our Technical Department.

Mineral based hydraulic fluids with anti-wear additives are recommended, with a viscosity of 35 mm²/s at a temperature of 50°

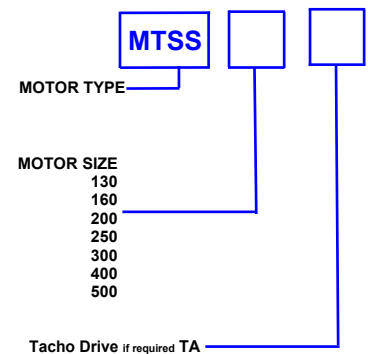
Where non-flammable fluids are to be used it is advisable to consult our Technical Department.

Normal operating temperature 30° to 60° C.

Minimum operating temperature -30° C.

Maximum operating temperature + 85° C.

ORDERING CODE



The policy of Adan Limited is one of continual development and the right is reserved to alter specifications without notice.

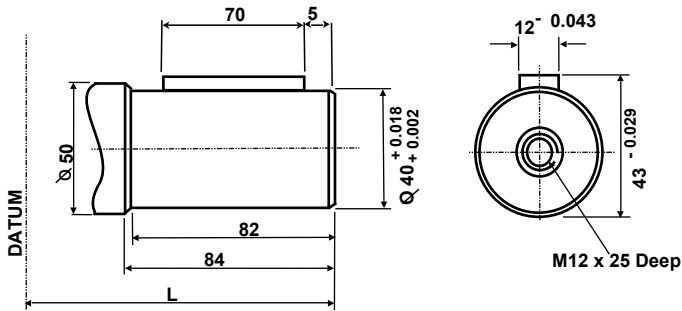


ADAN LIMITED

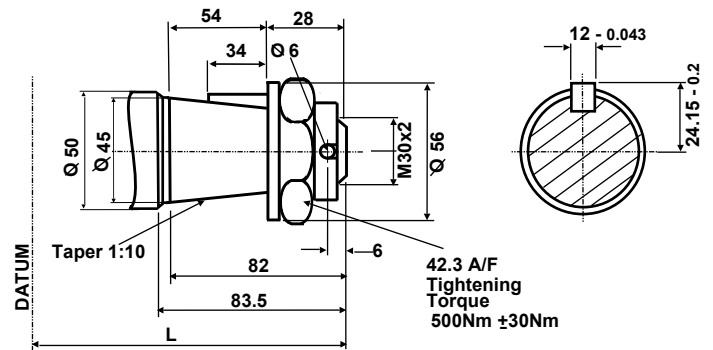
RIVERSIDE IND. ESTATE BOSTON LINCOLNSHIRE ENGLAND
 Tel: +44 (01205) 311500 Fax: +44 (01205) 358013
 email: sales@adanltd.co.uk website: www.adanltd.co.uk



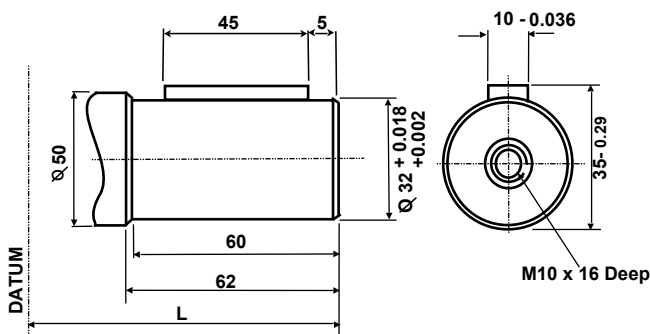
Standard 40mm Shaft - P



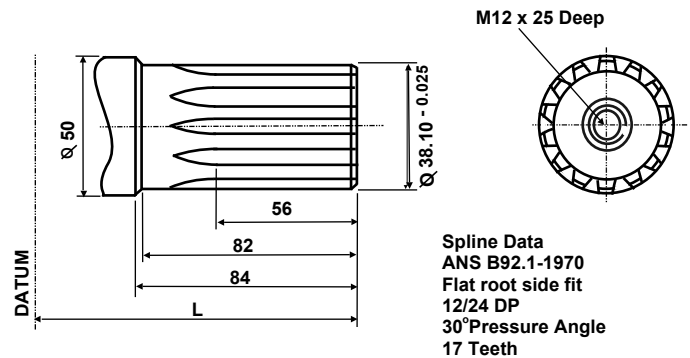
Tapered Shaft-T



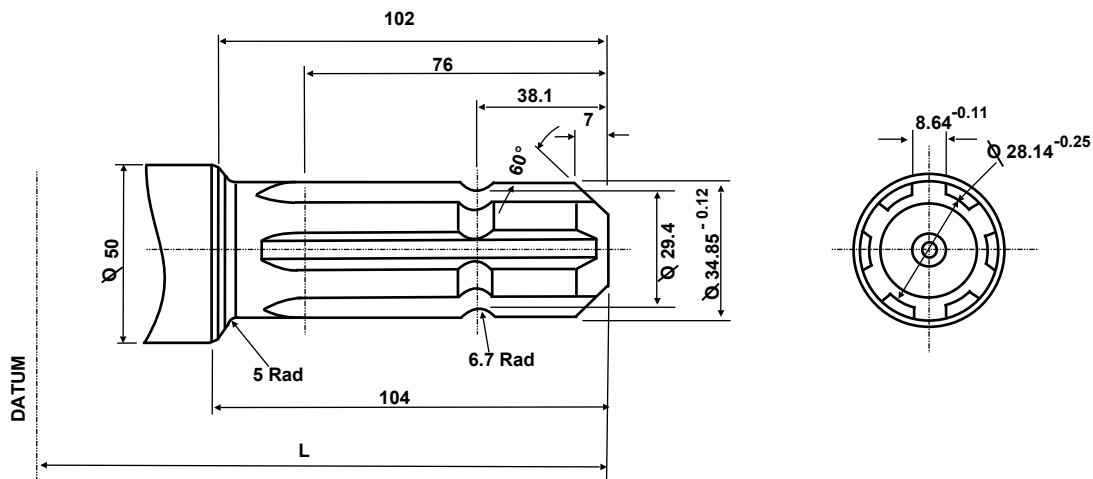
Metric 32mm Shaft - M



Splined Shaft - S



PTO Shaft - D



Dim.	MOTOR TYPE	SHAFT TYPE				
		P	T	M	S	D
L	MTAP	115.0	115.0	93.0	115.0	135.0
	MTWP	181.0	181.0	159.0	181.0	201.0

Special shafts can be supplied in most cases
Please consult our Technical Department about your requirements.

The policy of Adan Limited is one of continual development and the right is reserved to alter specifications without notice.



ADAN LIMITED

RIVERSIDE IND. ESTATE BOSTON LINCOLNSHIRE ENGLAND
Tel: +44 (0)1205 311500 Fax: +44 (0)1205 358013
email: sales@adanltd.co.uk website: www.adanltd.co.uk



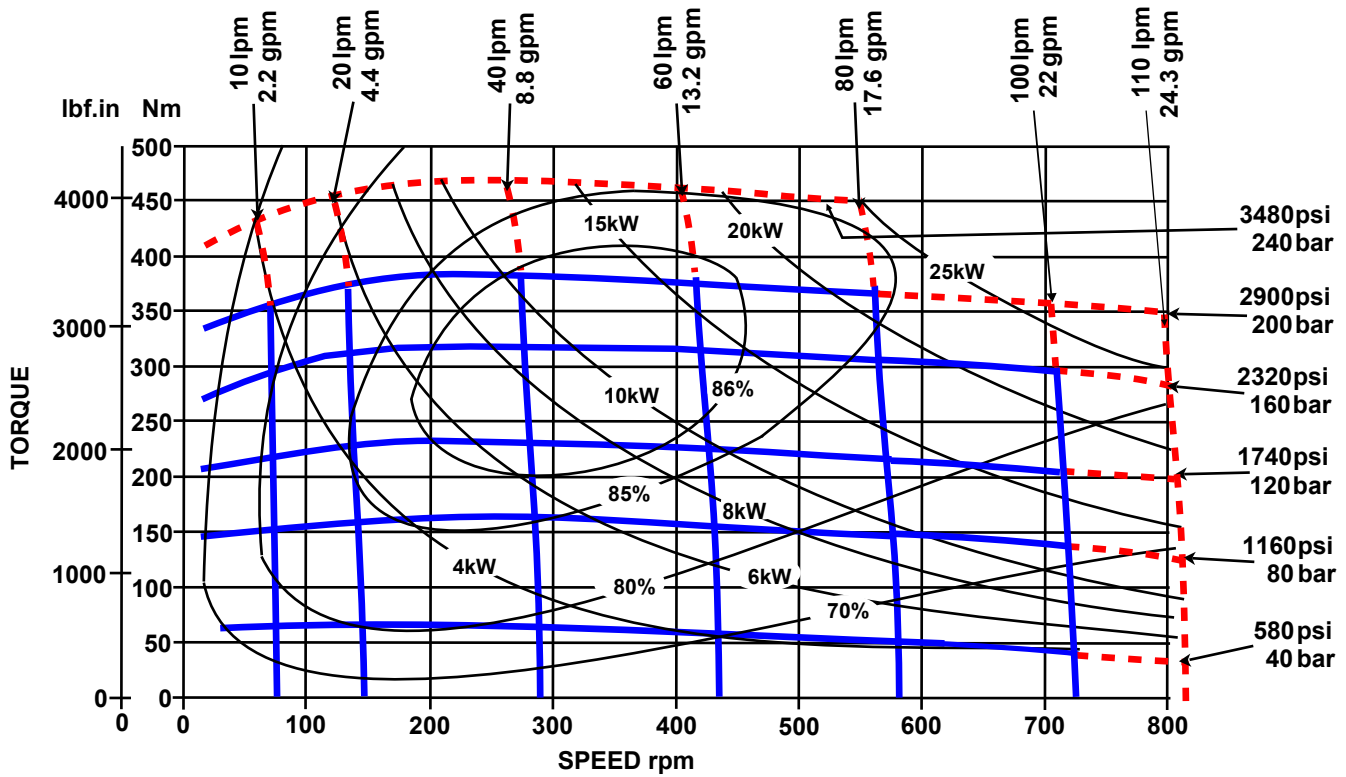
PERFORMANCE GRAPHS

Solid lines represent continuous operation.

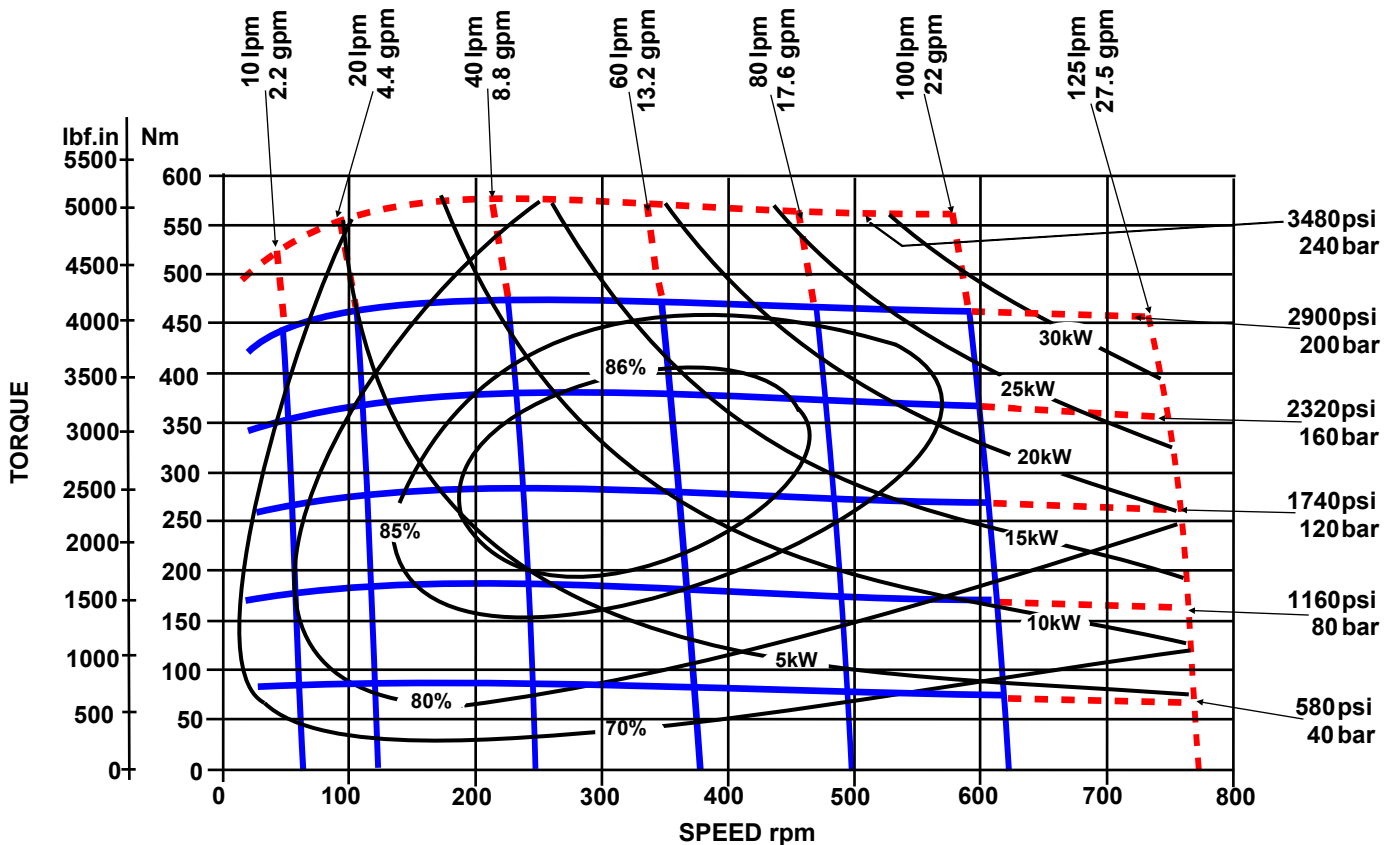
Dotted lines represent intermittent operation permissible for 10% of every minute.

Maximum pressure drop and maximum speed must not occur simultaneously.

MTA 130



MTA 160



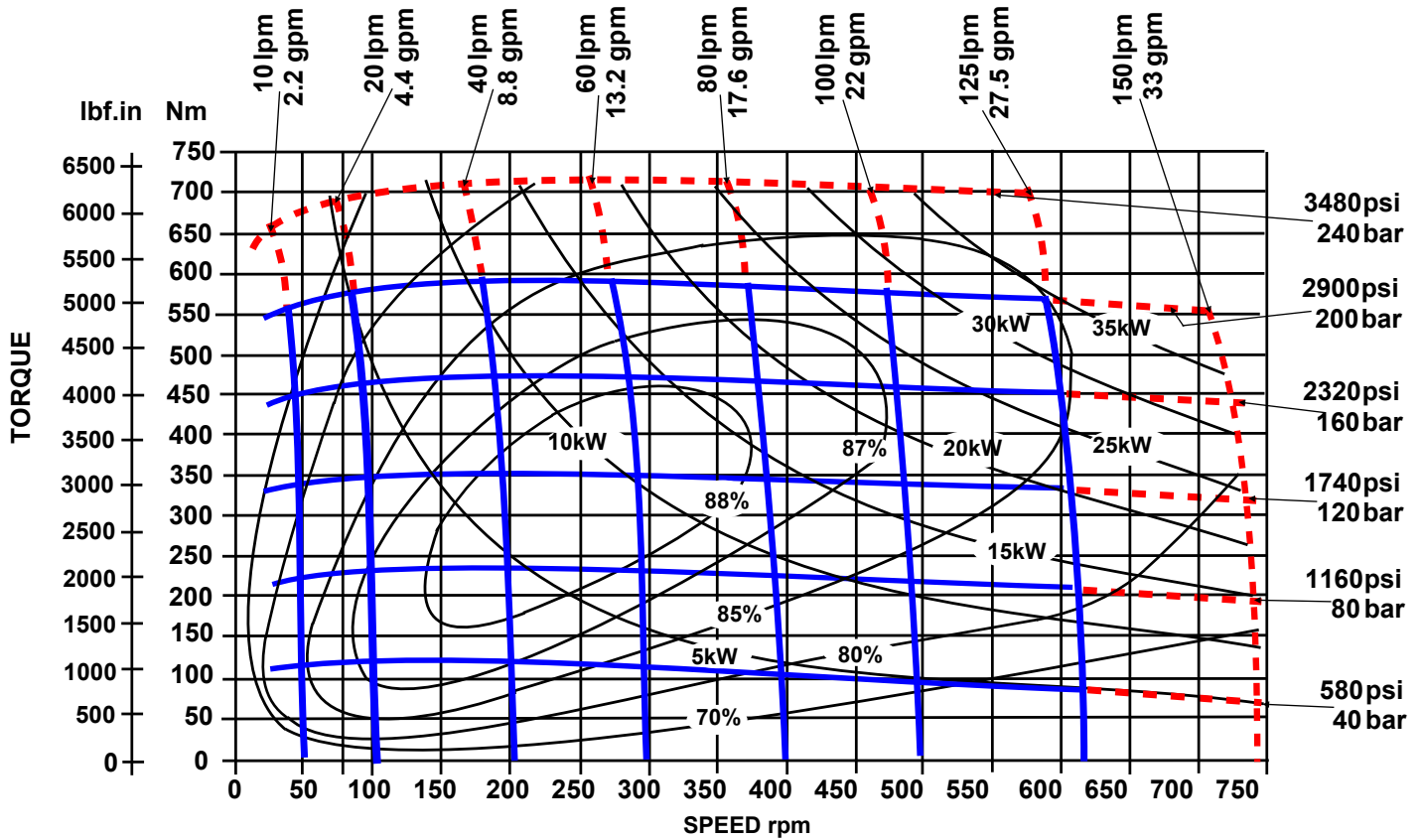
PERFORMANCE GRAPHS

Solid lines represent continuous operation.

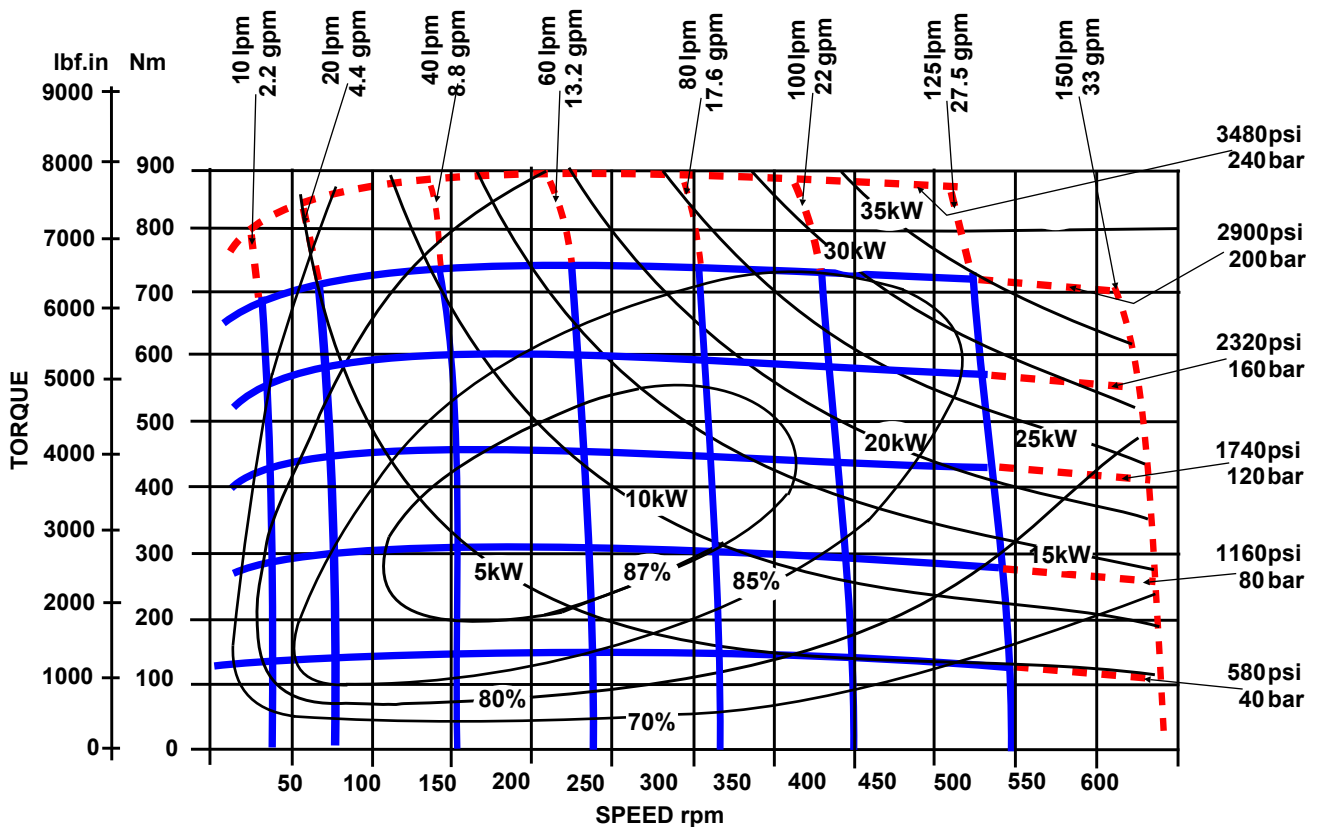
Dotted lines represent intermittent operation permissible for 10% of every minute.

Maximum pressure drop and maximum speed must not occur simultaneously.

MTA 200



MTA 250



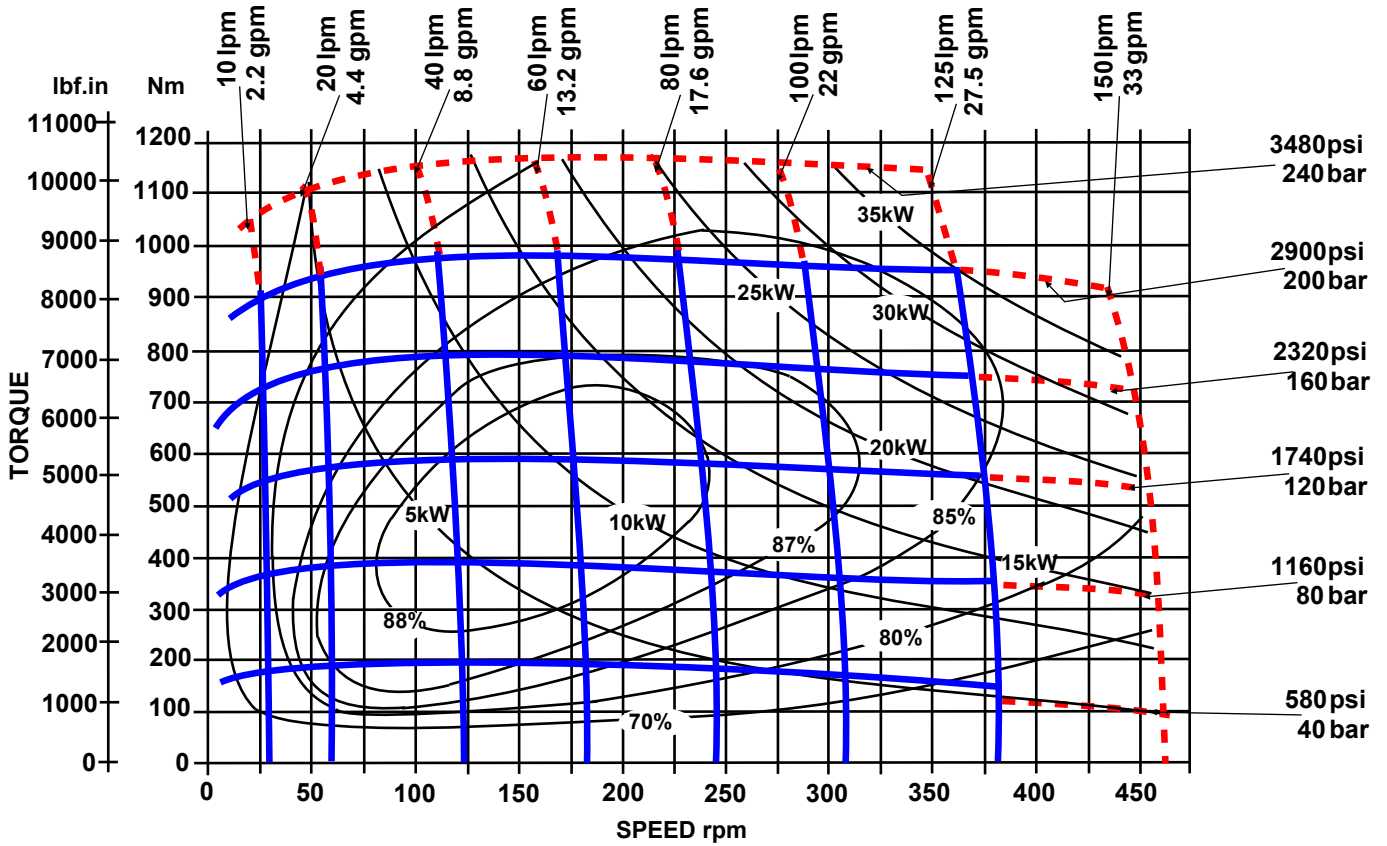
PERFORMANCE GRAPHS

Solid lines represent continuous operation.

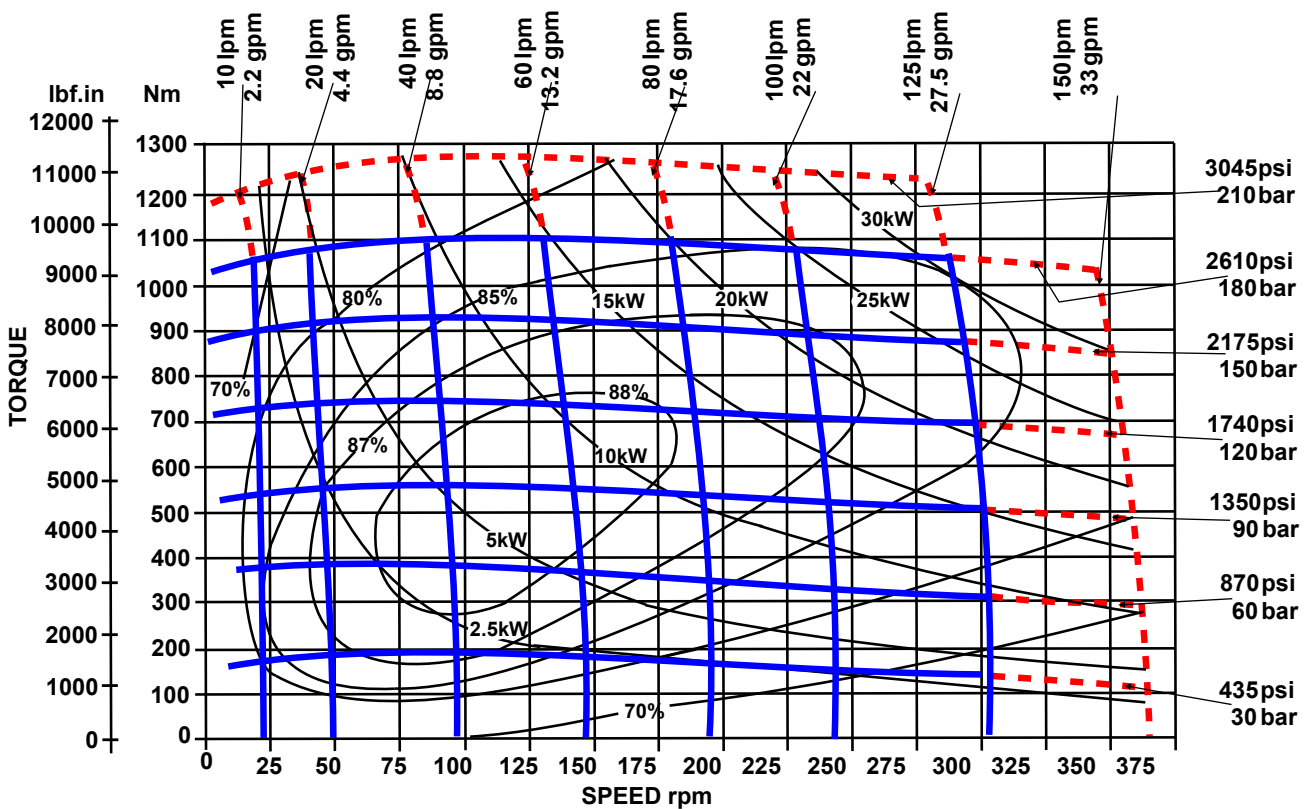
Dotted lines represent intermittent operation permissible for 10% of every minute.

Maximum pressure drop and maximum speed must not occur simultaneously.

MTA 300



MTA 400



ADAN HYDRAULIC MOTOR MT SERIES

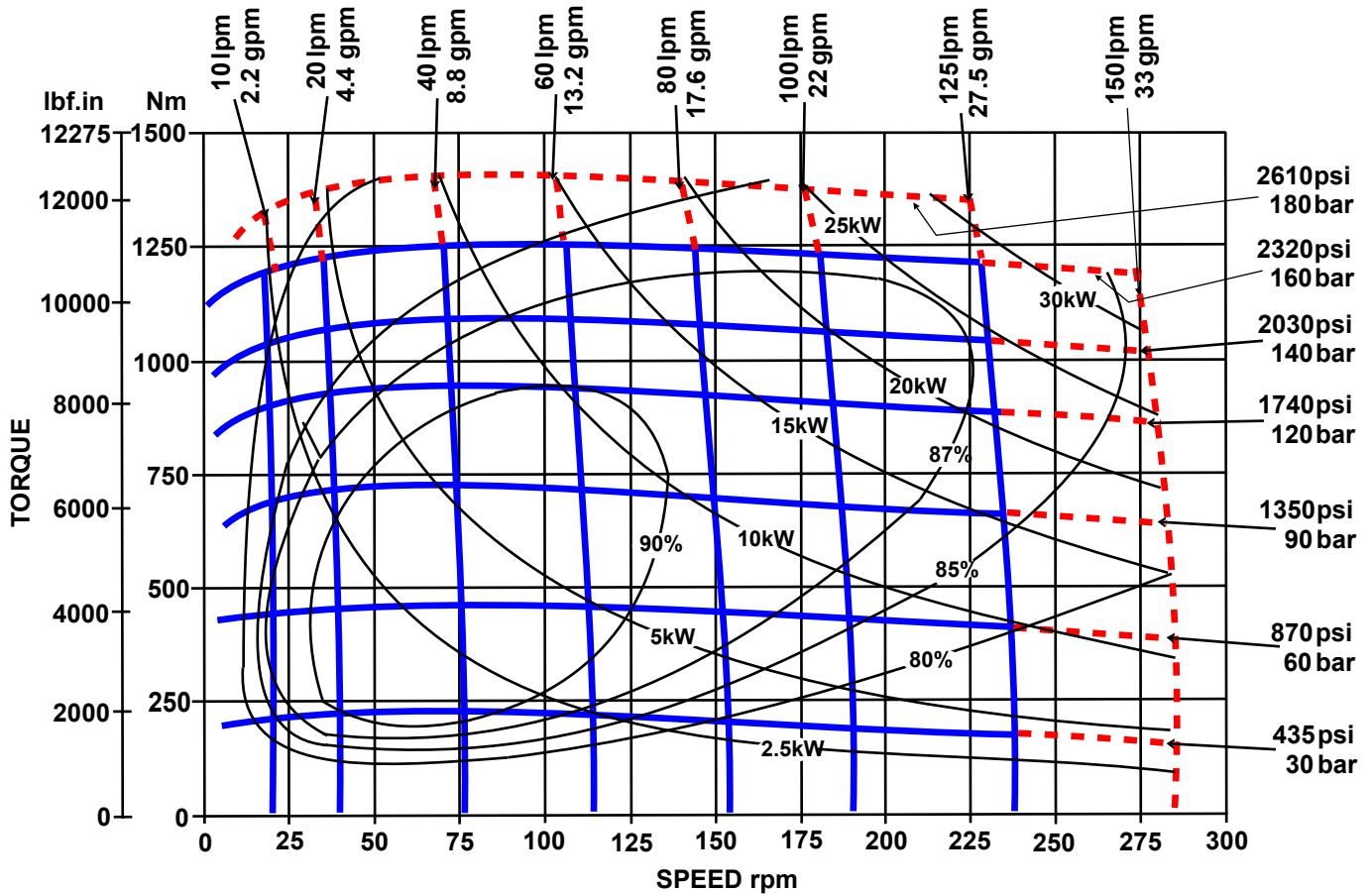
PERFORMANCE GRAPHS

Solid lines represent continuous operation.

Doted lines represent intermittent operation permissible for 10% of every minute.

Maximum pressure drop and maximum speed must not occur simultaneously.

MTA 500



The policy of Adan Limited is one of continual development and the right is reserved to alter specifications without notice.



ADAN LIMITED

RIVERSIDE IND. ESTATE BOSTON LINCOLNSHIRE ENGLAND
 Tel: +44 (01205) 311500 Fax: +44 (01205) 358013
 email: sales@adanltd.co.uk website: www.adanltd.co.uk

