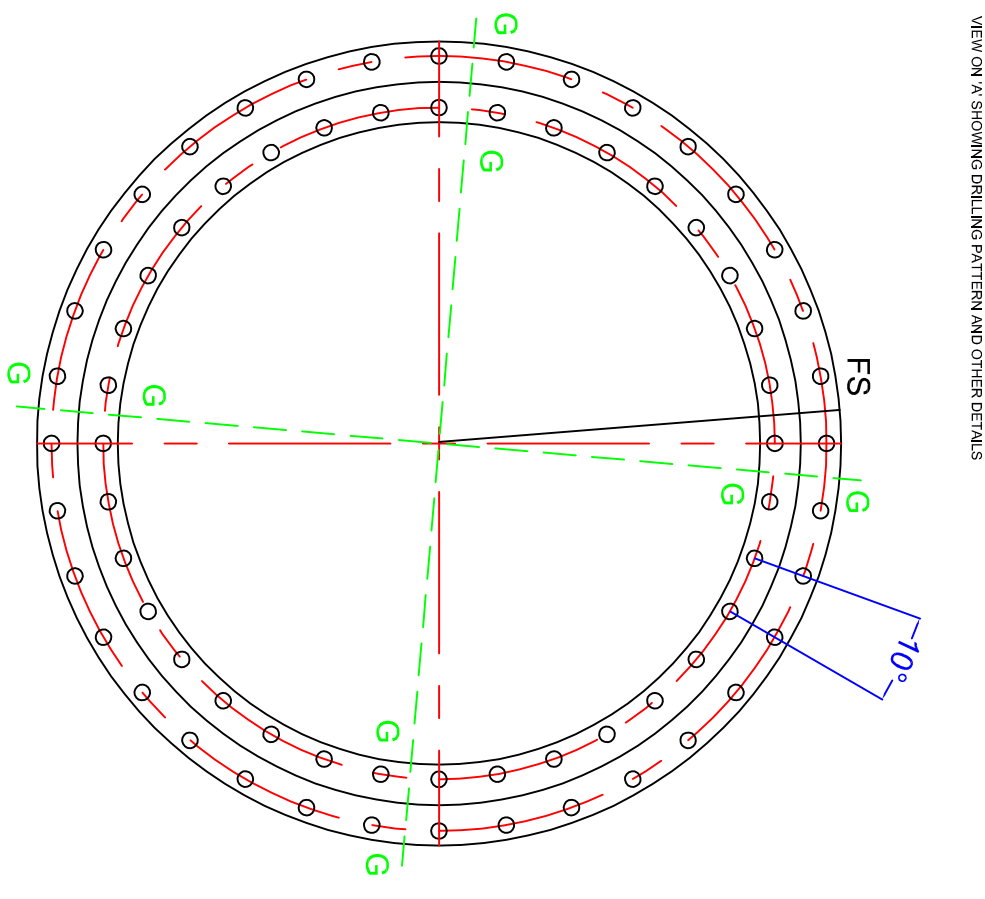
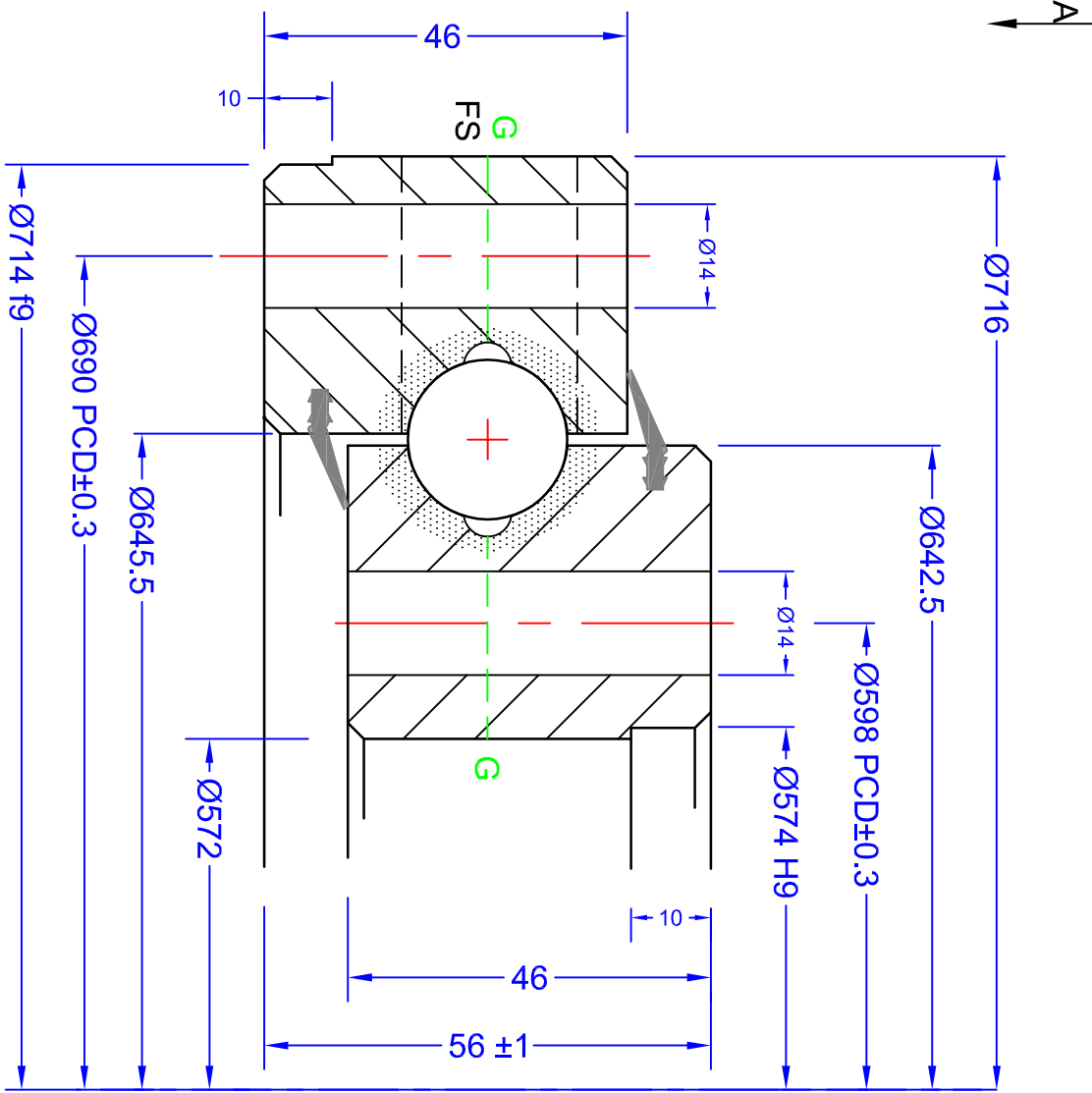


GEN. TOLERANCES	0.5 - 6	±0.1	6 - 30	±0.2	30 - 120	±0.3	120 - 315	±0.5	315 - 1000	±0.8	1000 - 2000	±1.2	2000 - 4000	±2	4000 - 8000	±3
GEN. MACHINING	✓	0.4	✓	1.6	✓	3.2	6.3	✓	12.6	✓	25 ROUGH	✓		✓		



GEAR DATA		BOLT DATA	
HARGENED GEAR		INNER	36 =
NUMBER OF TEETH (Z)	MODULE (m)	OUTER	36 =
PRESSURE ANGLE (α)	DP	GREASE HOLES	'G'
ADDENDUM COEFFICIENT (A)		LOADING PLUG	'FS'
PROFILE CORRECTION (km)			
TRUNCATION (km)			
PITCH ORCIE DIAMETER			
MEASUREMENT ON K TEETH			
RUNOUT NOT HARGENED/HARGENED			

**QCB Bearings**  
 SLEWING RINGS & DRIVES  
 Orleton Lane, Wellington, Telford, TF1 2BG, UK  
 P: 01952 222300 F: 01952 242938  
 www.nbogroup.co.uk

OCB is a registered trademark of NBC Group Ltd  
 imported by NBC Group Ltd  
 SUN 716 20 01 CC LM  
 DATE: 21/12/2015  
 CHECKED: LIM

© NBC GROUP LTD. NOT TO BE COPIED WITHOUT PERMISSION