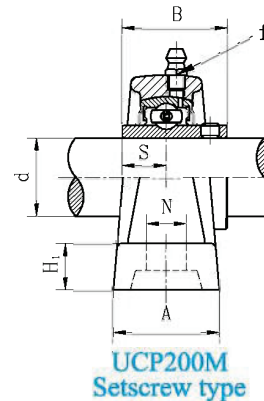
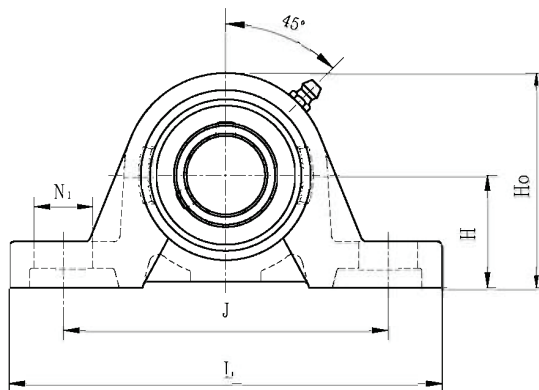




PILLOW BLOCKS WITH WEBBED HOUSINGS



Unit No.	Shaft Dia.		Dimensions(mm).										Bolt Size	Bearing No.	Housing No.	Mass (kg)	
	d (in.)	(mm)	H	L	J	A	N	N1	H1	Ho	S	B					f
UCP204-12M 204M	3/4	20	33.3	127	97	32	11.5	20.5	14	64	12.7	31	M6	M10	UC204-12 204	P204M	0.62
UCP205-14M 205-15M 205M 205-16M	7/8 15/16 1	25	36.5	130	102	36	11.5	19.5	16	70	14.3	34	M6	M10	UC205-14 205-15 205 205-16	P205M	0.80
UCP206-18M 206M 206-19M 206-20M	1-1/8 1-3/16 1-1/4	30	42.9	152	117.5	40	14	23.5	17	82	15.9	38.1	M6	M12	UC206-18 206 206-19 206-20	P206M	1.17
UCP207-20M 207-21M 207-22M 207M 207-23M	1-1/4 1-5/16 1-3/8 1-7/16	35	47.6	160	126	45	14	21	19	93	17.5	42.9	M6	M12	UC207-20 207-21 207-22 207 207-23	P207M	1.61
UCP208-24M 208-25M 208M	1-1/2 1-9/16	40	49.2	175	135.5	48	14	24.5	19	99	19	49.2	G1/8	M12	UC208-24 208-25 208	P208M	1.89
UCP209-26M 209-27M 209-28M 209M	1-5/8 1-11/16 1-3/4	45	54	187	143.5	48	14	22.5	21	107	19	49.2	G1/8	M12	UC209-26 209-27 209-28 209	P209M	2.26
UCP210-30M 210-31M 210M	1-7/8 1-15/16	50	57.2	203	157	54	18	26	22	114	19	51.6	G1/8	M16	UC210-30 210-31 210	P210M	2.69
UCP211-32M 211-34M 211M 211-35M	2 2-1/8 2-3/16	55	63.5	219	171.5	60	18	27.5	24	125	22.2	55.6	G1/8	M16	UC211-32 211-34 211 211-35	P211M	3.65
UCP212-36M 212M 212-38M 212-39M	2-1/4 2-3/8 2-7/16	60	69.9	240	190.5	60	18	29.5	26.5	137	25.4	65.1	G1/8	M16	UC212-36 212 212-38 212-39	P212M	4.79
UCP213-40M 213M	2-1/2	65	76.2	257	203	65	22	35	29	150	25.4	65.1	G1/8	M20	UC213-40 213	P213M	5.81
UCP214-44M 214M	2-3/4	70	79.4	260	210	65	22	30	29	155	30.2	74.6	G1/8	M20	UC214-44 214	P214M	6.34