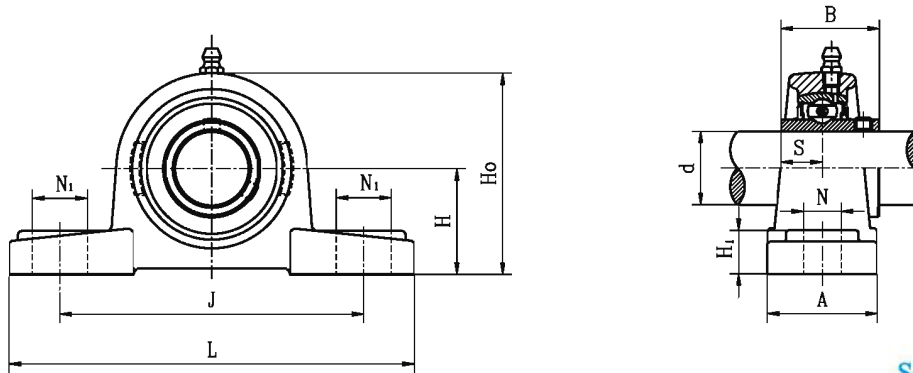




PILLOW BLOCKS



UCPX
Setscrew type

| Unit No. | Shaft Dia. | | Dimensions(mm). | | | | | | | | | | Bolt Size | Bearing No. | Housing No. | Mass (kg) |
|--------------------------------------|---------------------------|------|-----------------|-----|-----|-----|----|----|----|-----|------|-------|-----------|-------------------------------------|-------------|-----------|
| | d | | H | L | J | A | N | Ni | Hi | Ho | S | B | | | | |
| | (in.) | (mm) | | | | | | | | | | | | | | |
| UCPX05-14 X05-15 X05 X05-16 | 7/8 15/16 1 | 25 | 44.4 | 159 | 119 | 51 | 17 | 20 | 17 | 85 | 15.9 | 38.1 | M14 | UCX05-14 X05-15 X05 X05-16 | PX05 | 1.48 |
| UCPX06-18 X06 X06-19 X06-20 | 1-1/8 1-3/16 1-1/4 | 30 | 47.6 | 175 | 127 | 54 | 17 | 20 | 20 | 93 | 17.5 | 42.9 | M14 | UCX06-18 X06 X06-19 X06-20 | PX06 | 1.86 |
| UCPX07-22 X07 X07-23 | 1-3/8 1-7/16 | 35 | 54 | 203 | 144 | 57 | 17 | 20 | 21 | 105 | 19 | 49.2 | M14 | UCX07-22 X07 X07-23 | PX07 | 2.63 |
| UCPX08-24 X08 | 1-1/2 | 40 | 58.7 | 222 | 156 | 65 | 20 | 23 | 23 | 112 | 19 | 49.2 | M16 | UCX08-24 X08 | PX08 | 3.19 |
| UCPX09-26 X09-27 X09-28 X09 | 1-5/8 1-11/16 1-3/4 | 45 | 58.7 | 222 | 156 | 67 | 20 | 23 | 25 | 116 | 19 | 51.6 | M16 | UCX09-26 X09-27 X09-28 X09 | PX09 | 3.36 |
| UCPX10-30 X10-31 X10 X10-32 | 1-7/8 1-15/16 2 | 50 | 63.5 | 240 | 171 | 71 | 20 | 23 | 24 | 126 | 22.2 | 55.6 | M16 | UCX10-30 X10-31 X10 X10-32 | PX10 | 4.12 |
| UCPX11-34 X11 X11-35 X11-36 | 2-1/8 2-3/16 2-1/4 | 55 | 69.8 | 260 | 184 | 79 | 25 | 28 | 29 | 137 | 25.4 | 65.1 | M20 | UCX11-34 X11 X11-35 X11-36 | PX11 | 5.55 |
| UCPX12 X12-38 X12-39 | 2-3/8 2-7/16 | 60 | 76.2 | 280 | 203 | 81 | 25 | 28 | 31 | 149 | 25.4 | 65.1 | M20 | UCX12 X12-38 X12-39 | PX12 | 6.79 |
| UCPX13-40 X13 | 2-1/2 | 65 | 76.2 | 286 | 203 | 83 | 25 | 28 | 33 | 152 | 30.2 | 74.6 | M20 | UCX13-40 X13 | PX13 | 7.38 |
| UCPX14-44 X14 | 2-3/4 | 70 | 88.9 | 320 | 229 | 85 | 27 | 30 | 34 | 170 | 33.3 | 77.8 | M22 | UCX14-44 X14 | PX14 | 9.63 |
| UCPX15 X15-48 | 3 | 75 | 88.9 | 330 | 229 | 92 | 27 | 30 | 35 | 175 | 33.3 | 82.6 | M22 | UCX15 X15-48 | PX15 | 10.7 |
| UCPX16 | | 80 | 101.6 | 378 | 283 | 99 | 27 | 30 | 37 | 194 | 34.1 | 85.7 | M22 | UCX16 | PX16 | 15.0 |
| UCPX17-52 X17 | 3-1/4 | 85 | 101.6 | 380 | 283 | 102 | 27 | 30 | 40 | 200 | 39.7 | 96 | M22 | UCX17-52 X17 | PX17 | 16.5 |
| UCPX18-56 X18 | 3-1/2 | 90 | 101.6 | 381 | 283 | 106 | 27 | 30 | 40 | 206 | 42.9 | 104 | M22 | UCX18-56 X18 | PX18 | 18.2 |
| UCPX20 X20-64 | 4 | 100 | 127 | 432 | 337 | 120 | 33 | 36 | 45 | 244 | 49.2 | 117.5 | M27 | UCX20 X20-64 | PX20 | 28.2 |