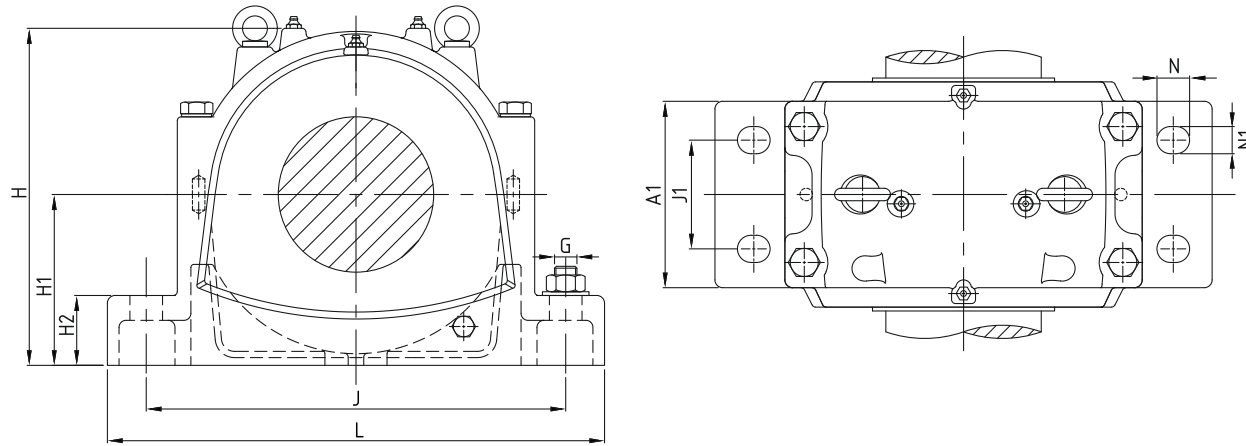


# SNL 3100-3000 SERIES

Plummer Blocks (Bearing Housings)  
For Bearings with Adapter Sleeves

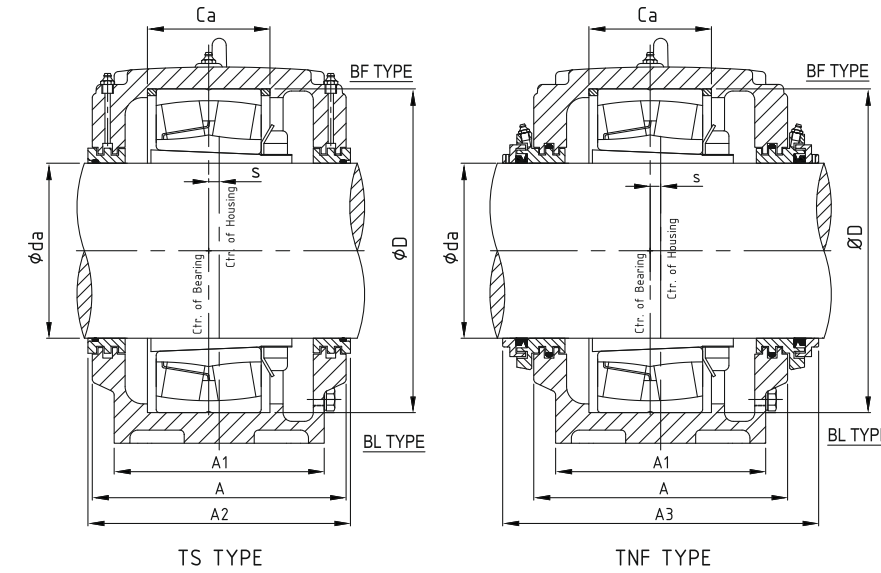


BF TYPE-Through Shaft, Located Bearing  
BL TYPE-Through Shaft, Non-Located Bearing

Plummer Blocks Designation	Shaft dia da	Dimension in MM											
		A	A1	H	H1	H2	J	J1	L	N	N1	S	G
SNL 3134	115	230	180	333	170	70	430	100	510	34	28	14	M 24
	150	230	180	333	170	70	430	100	510	34	28	14	M 24
SNL 3036	160	230	180	333	170	70	430	100	510	34	28	14	M 24
SNL 3136	125	240	190	353	180	75	450	110	530	34	28	15	M 24
	160	240	190	353	180	75	450	110	530	34	28	15	M 24
SNL 3038	140	240	190	353	180	75	450	110	530	34	28	15	M 24
	170	240	190	353	180	75	450	110	530	34	28	15	M 24
SNL 3138	135	260	210	375	190	80	480	120	560	34	28	10	M 24
	160	260	210	375	190	80	480	120	560	34	28	10	M 24
	170	260	210	375	190	80	480	120	560	34	28	10	M 24
SNL 3040	150	260	210	375	190	80	480	120	560	34	28	10	M 24
	180	260	210	375	190	80	480	120	560	34	28	10	M 24
SNL 3140	140	280	230	411	210	85	510	130	610	42	35	10	M 30
	170	280	230	411	210	85	510	130	610	42	35	10	M 30
	180	280	230	411	210	85	510	130	610	42	35	10	M 30
SNL 3044	200	280	230	411	210	85	510	130	610	42	35	10	M 30
SNL 3144	200	290	240	434	220	90	540	140	640	42	35	12	M 30
SNL 3048	150	290	240	434	220	90	540	140	640	42	35	12	M 30
	180	290	240	434	220	90	540	140	640	42	35	12	M 30
	220	290	240	434	220	90	540	140	640	42	35	12	M 30
SNL 3148	170	310	260	474	240	95	600	150	700	42	35	12	M 30
	220	310	260	474	240	95	600	150	700	42	35	12	M 30
SNL 3052	240	310	260	474	240	95	600	150	700	42	35	12	M 30

# SNL 3100-3000 SERIES

Plummer Blocks (Bearing Housings)  
For Bearings with Adapter Sleeves

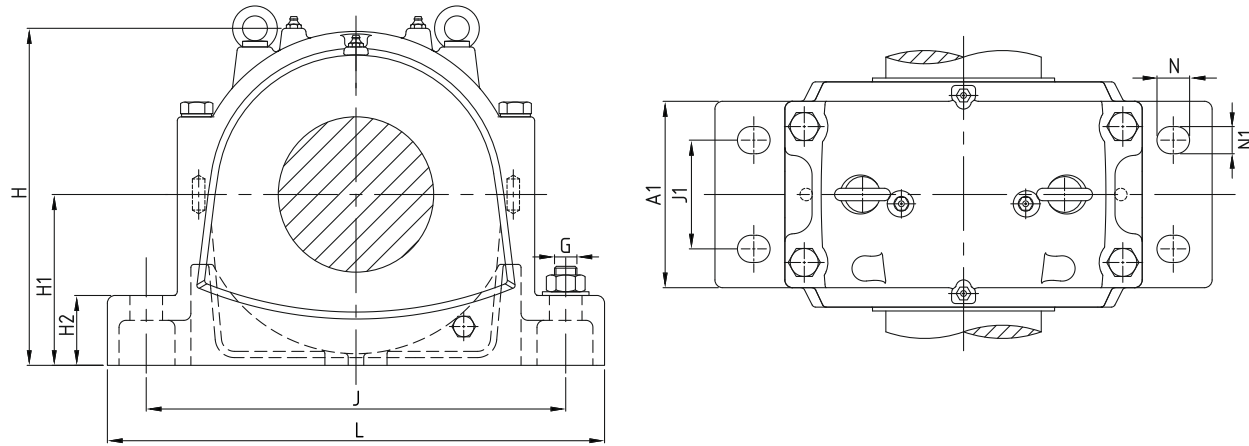


BF TYPE-Through Shaft, Located Bearing  
BL TYPE-Through Shaft, Non-Located Bearing

Shaft dia da	Approx Weight KG	Bearing Seating Ca D		A2	A3	EYE BOLT	Appropriate Bearing	Adapter Sleeve	Locating Ring Size
115	69.5	108	280	240	302	M 16	22326 CCK/W33	H 2326	2 FRB 7.5/280
150	69.5	108	280	240	302	M 16	23134 CCK/W33	H 3134	2 FRB 10/280
160	69.5	108	280	240	304	M 16	23036 CCK/W33	H 3036	2 FRB 17/280
125	77.5	116	300	250	317	M 16	22328 CCK/W33	H 2328	2 FRB 7/300
160	77.5	116	300	250	317	M 16	23136 CCK/W33	H 3136	2 FRB 10/300
140	77.5	115	290	250	318	M 16	22232 CCK/W33	H 3132	2 FRB 17.5/290
170	77.5	115	290	250	318	M 16	23038 CCK/W33	H 3038	4 FRB 10/290
135	97.5	124	320	270	334	M 20	22330 CCK/W33	H 2330	2 FRB 8/320
160	97.5	124	320	270	334	M 20	22236 CCK/W33	H 3136	2 FRB 19/320
170	97.5	124	320	270	334	M 20	23138 CCK/W33	H 3138	2 FRB 10/320
150	97.5	122	310	270	331	M 20	22234 CCK/W33	H 3134	2 FRB 18/310
180	97.5	122	310	270	331	M 20	23040 CCK/W33	H 3040	4 FRB 10/310
140	123	132	340	290	351	M 20	22332 CCK/W33	H 2332	2 FRB 9/340
170	123	132	340	290	351	M 20	22238 CCK/W33	H 3138	4 FRB 10/340
180	123	132	340	290	351	M 20	23140 CCK/W33	H 3140	2 FRB 10/340
200	123	130	340	290	353	M 20	23044 CCK/W33	OH 3044 H	4 FRB 10/340
200	138	140	370	300	361	M 20	23144 CCK/W33	OH 3144 H	2 FRB 10/370
150	139	140	360	300	387	M 20	23048 CCK/W33	H 2334	2 FRB 10/360
180	139	140	360	300	387	M 20	22240 CCK/W33	H 3140	2 FRB 21/360
220	138	140	360	300	387	M 20	22334 CCK/W33	OH 3048 H	4 FRB 12/360
170	187	148	400	315	404	M 24	22338 CCK/W33	H 2338	2 FRB 8/400
220	187	148	400	315	404	M 24	23148 CCK/W33	OH 3148 H	2 FRB 10/400
240	187	148	400	315	397	M 24	23052 CCK/W33	OH 3052 H	2 FRB 22/400

# SNL 3100-3000 SERIES

Plummer Blocks (Bearing Housings)  
For Bearings with Adapter Sleeves

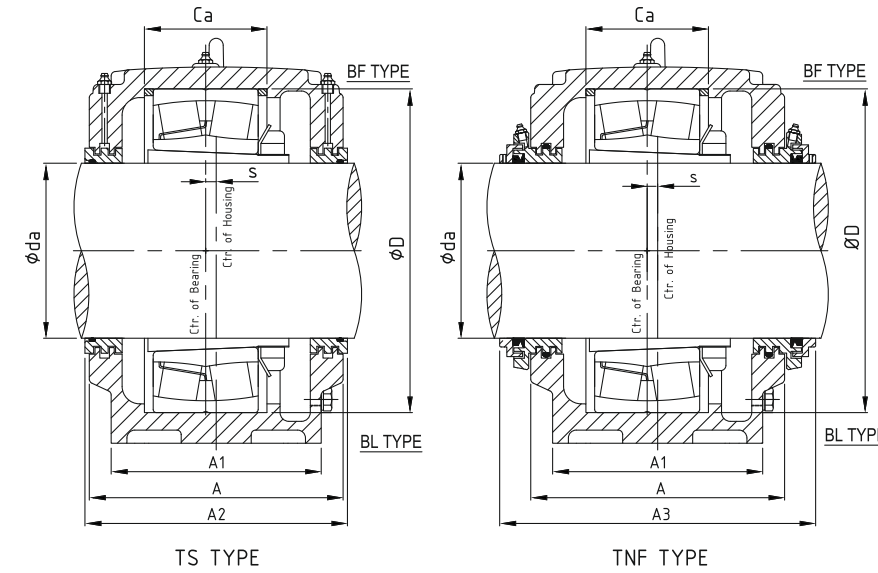


BF TYPE-Through Shaft, Located Bearing  
BL TYPE-Through Shaft, Non-Located Bearing

Plummer Blocks Designation	Shaft dia da	Dimension in MM											
		A	A1	H	H1	H2	J	J1	L	N	N1	S	G
SNL 3152	220	320	280	516	260	100	650	160	770	50	42	13	M 36
	240	320	280	516	260	100	650	160	770	50	42	13	M 36
SNL 3056	180	320	280	516	260	100	650	160	770	50	42	13	M 36
	260	320	280	516	260	100	650	160	770	50	42	13	M 36
SNL 3156	200	320	280	516	260	100	650	160	790	50	42	16	M 36
	260	320	280	551	280	105	670	160	790	50	42	16	M 36
SNL 3060	280	320	280	551	280	105	670	160	790	50	42	16	M 36
SNL 3160	220	350	310	591	300	110	710	190	830	50	42	22	M 36
	260	350	310	591	300	110	710	190	830	50	42	22	M 36
	280	350	310	591	300	110	710	190	830	50	42	22	M 36
SNL 3064	240	350	310	591	300	110	710	190	830	50	42	22	M 36
	300	350	310	591	300	110	710	190	830	50	42	22	M 36
SNL 3164	240	370	330	631	320	115	750	200	880	50	42	23	M 36
	280	370	330	631	320	115	750	200	880	50	42	23	M 36
	300	370	330	631	320	115	750	200	880	50	42	23	M 36
SNL 3068	320	370	330	631	320	115	750	200	880	50	42	23	M 36
SNL 3168	300	400	360	675	340	120	810	220	950	50	42	24	M 36
SNL 3072	340	370	330	631	320	115	750	200	880	50	42	23	M 36

# SNL 3100-3000 SERIES

Plummer Blocks (Bearing Housings)  
For Bearings with Adapter Sleeves

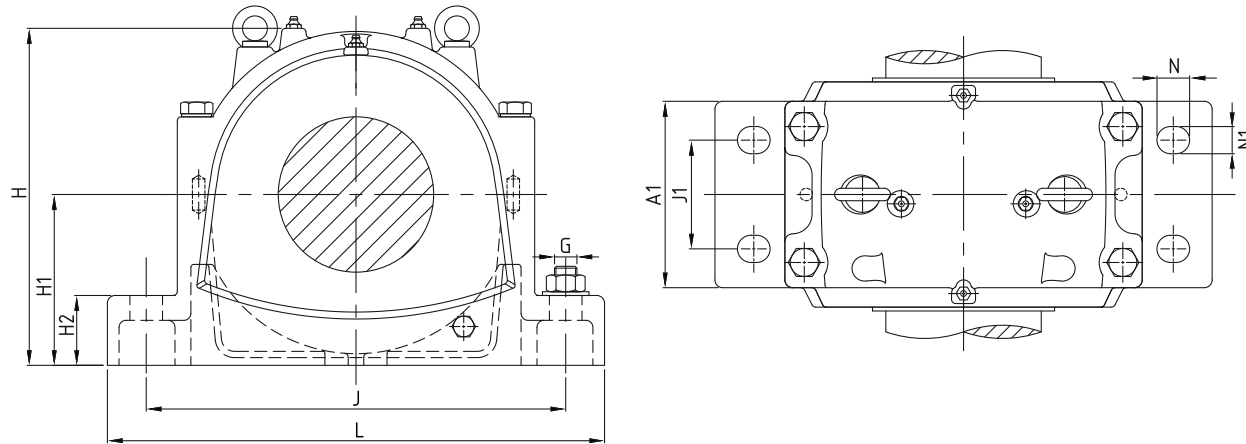


BF TYPE-Through Shaft, Located Bearing  
BL TYPE-Through Shaft, Non-Located Bearing

Shaft dia da	Approx Weight KG	Bearing Seating Ca D		A2	A3	EYE BOLT	Appropriate Bearing	Adapter Sleeve	Locating Ring Size
220	221	164	440	330	414	M 24	22248 CCK/W33	OH 3148 H	2 FRB 22/440
240	221	164	440	330	414	M 24	23152 CCK/W33	OH 3152 H	2 FRB 10/440
180	221	166	420	330	413	M 24	22340 CCK/W33	H 2340	2 FRB 14/420
260	221	166	420	330	413	M 24	23056 CCK/W33	OH 3056 H	6 FRB 10/420
200	252	166	460	330	412	M 24	22344 CCK/W33	OH 2344 H	2 FRB 10.5/460
260	252	166	460	330	412	M 24	23156 CCK/W33	OH 3156 H	2 FRB 10/460
280	252	168	460	330	412	M 24	23060 CCK/W33	OH 3060 H	2 FRB 25/460
220	301	180	500	360	442	M 30	22348 CCK/W33	OH 2348 H	2 FRB 12.5/500
260	301	180	500	360	442	M 30	22256 CCK/W33	OH 3156 H	2 FRB 25/500
280	301	180	500	360	442	M 30	23160 CCK/W33	OH 3160 H	2 FRB 10/500
240	301	181	480	360	443	M 30	22252 CCK/W33	OH 3152 H	2 FRB 25.5/480
300	301	181	480	360	443	M 30	23064 CCK/W33	OH 3064 H	6 FRB 10/480
240	339	196	540	380	462	M 30	22352 CCK/W33	OH 2352 H	2 FRB 15.5/540
300	339	196	540	380	462	M 30	22260 CCK/W33	OH 3160 H	2 FRB 28/540
300	339	196	540	380	462	M 30	23164 CCK/W33	OH 3164 H	2 FRB 10/540
320	339	197	520	380	461	M 30	23068 CCK/W33	OH 3068 H	4 FRB 16/520
300	430	190	580	410	491	M 30	22264 CCK/W33	OH 3164 H	2 FRB 20/580
320	339	198	540	380	461	M 30	23072 CCK/W33	OH 3072 H	4 FRB 16/540

# SNL 3100-3000 SERIES

Plummer Blocks (Bearing Housings)  
For Bearings with Adapter Sleeves

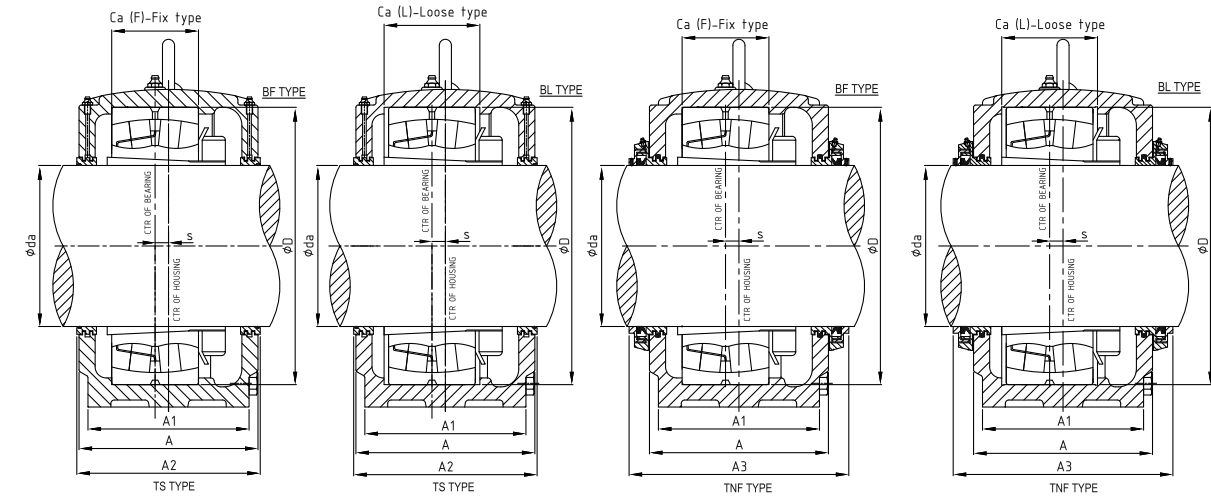


BF TYPE-Through Shaft, Located Bearing  
BL TYPE-Through Shaft, Non-Located Bearing

Plummer Blocks Designation	Shaft dia da	Dimension in MM											
		A	A1	H	H1	H2	J	J1	L	N	N1	S	G
SNL 3168	320	400	360	675	340	120	810	220	950	50	42	24	M 36
SNL 3076	360	400	360	675	340	120	810	220	950	50	42	24	M 36
SNL 3172	340	400	360	695	350	120	840	220	1000	50	42	30	M 36
SNL 3080	380	400	360	695	350	120	840	220	1000	50	42	30	M 36
SNL 3176	360	400	360	715	360	120	870	220	1040	50	42	30	M 36
SNL 3084	400	400	360	715	360	120	870	220	1040	50	42	30	M 36
SNL 3180	340	430	390	755	380	125	950	240	1120	60	48	30	M 42
	380	430	390	755	380	125	950	240	1120	60	48	30	M 42
SNL 3088	410	430	390	755	380	125	950	240	1120	60	48	30	M 42
SNL 3184	400	460	420	810	410	130	1000	260	1170	60	48	35	M 42
SNL 3092	430	460	420	810	410	130	1000	260	1170	60	48	35	M 42
SNL 3096	450	460	420	810	410	130	1000	260	1170	60	48	35	M 42
SNL 3188	410	460	430	835	420	135	1030	260	1220	60	48	35	M 42
SNL 30/500	470	460	430	835	420	135	1030	260	1220	60	48	35	M 42
SNL 3192	430	470	440	880	440	145	1070	260	1280	60	48	35	M 42
SNL 3196	450	470	440	920	460	155	1110	260	1330	70	56	35	M 48
SNL 30/530	500	470	440	920	460	155	1110	260	1330	70	56	35	M 48

# SNL 3100-3000 SERIES

Plummer Blocks (Bearing Housings)  
For Bearings with Adapter Sleeves

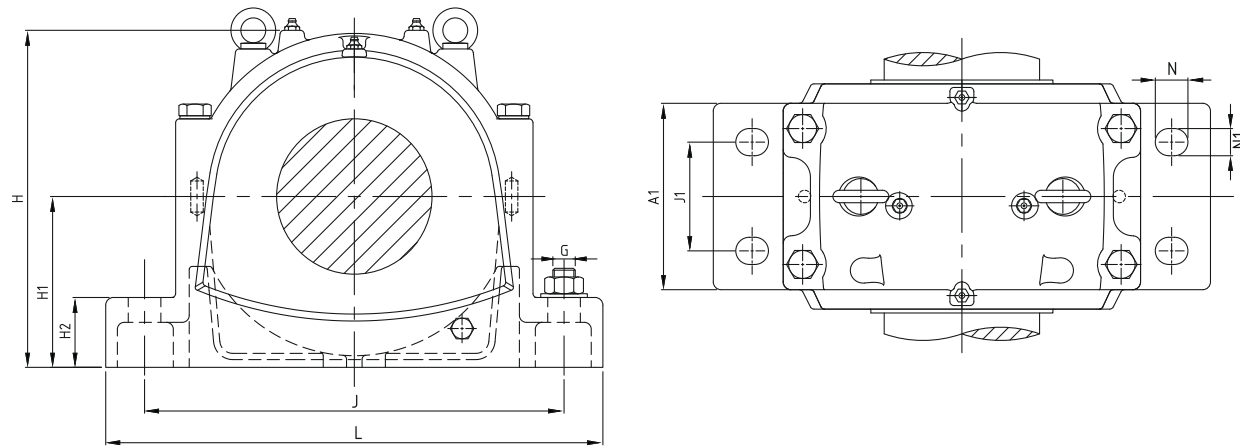


BF TYPE-Through Shaft, Located Bearing  
BL TYPE-Through Shaft, Non-Located Bearing

Shaft dia da	Approx Weight KG	Bearing Seating Ca		D	A2	A3	EYE BOLT	Appropriate Bearing	Adapter Sleeve	Locating Ring Size
		F- Fix	L- Loose							
320	430	190	210	580	410	491	M 30	23168 CCK/W33	OH 3168 H	-
360	430	135	180	560	410	492	M 30	23076 CAK/W33	OH 3076 H	-
340	458	192	212	600	410	491	M 36	23172 CCK/W33	OH 3172 H	-
380	458	148	192	600	410	491	M 36	23080 CCK/W33	OH 3080 H	-
360	473	194	214	620	410	491	M 36	23176 CAK/W33	OH 3176 H	-
400	473	150	194	620	410	492	M 36	23084 CAK/W33	OH 3084 H	-
340	595	-	220	650	440	521	M 42	22272 CAK/W33	OH 3272 H	2 FRB 25/650
380	595	200	220	650	440	521	M 42	23180 CAK/W33	OH 3180 H	-
410	595	157	200	650	440	522	M 42	23088 CAK/W33	OH 3088 H	-
400	716	224	244	700	470	551	M 42	23184 CKJ/W33	OH 3184 H	-
430	716	163	224	680	470	552	M 42	23092 CAK/W33	OH 3092 H	-
450	716	165	224	700	470	552	M 42	23096 CAK/W33	OH 3096 H	-
410	755	226	246	720	470	552	M 42	23188 CAK/W33	OH 3188 H	-
470	755	167	226	720	470	551	M 42	230/500 CAK/W33	OH 30/500 H	-
430	865	240	260	760	480	562	M 48	23192 CAK/W33	OH 3192 H	-
450	941	248	268	790	480	561	M 48	23196 CAK/W33	OH 3196 H	-
500	947	185	248	780	480	551	M 48	230/530 CAK/W33	OH 30/530 H	-

# SNL 3200 SERIES

Plummer Blocks (Bearing Housings)  
For Bearings with Adapter Sleeves

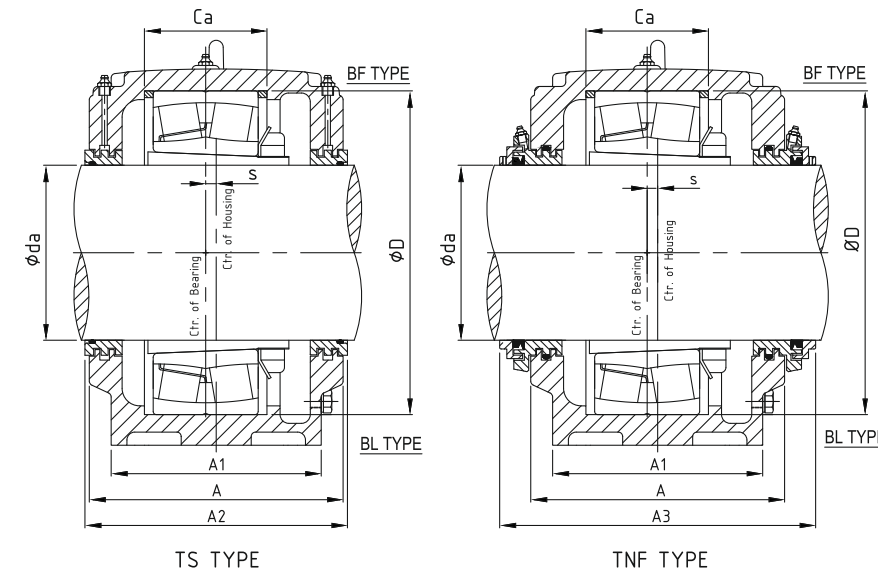


BF TYPE-Through Shaft, Located Bearing  
BL TYPE-Through Shaft, Non-Located Bearing

Plummer Blocks Designation	Shaft dia da	Dimension in MM											
		A	A1	H	H1	H2	J	J1	L	N	N1	S	G
SNL 3234	150	260	210	375	190	80	480	120	560	34	28	10	M 24
SNL 3236	160	260	210	375	190	80	480	120	560	34	28	10	M 24
SNL 3238	170	280	230	411	210	85	510	130	610	42	35	10	M 30
SNL 3240	180	290	240	434	220	90	540	140	640	42	35	12	M 30
SNL 3244	200	310	260	474	240	95	600	150	700	42	35	12	M 30
SNL 3248	220	320	280	516	260	100	650	160	770	50	42	13	M 36
SNL 3252	240	350	310	591	300	110	710	190	830	50	42	22	M 36
SNL 3256	260	350	310	591	300	110	710	190	830	50	42	22	M 36
SNL 3260	280	370	330	631	320	115	750	200	880	50	42	23	M 36

# SNL 3200 SERIES

Plummer Blocks (Bearing Housings)  
For Bearings with Adapter Sleeves

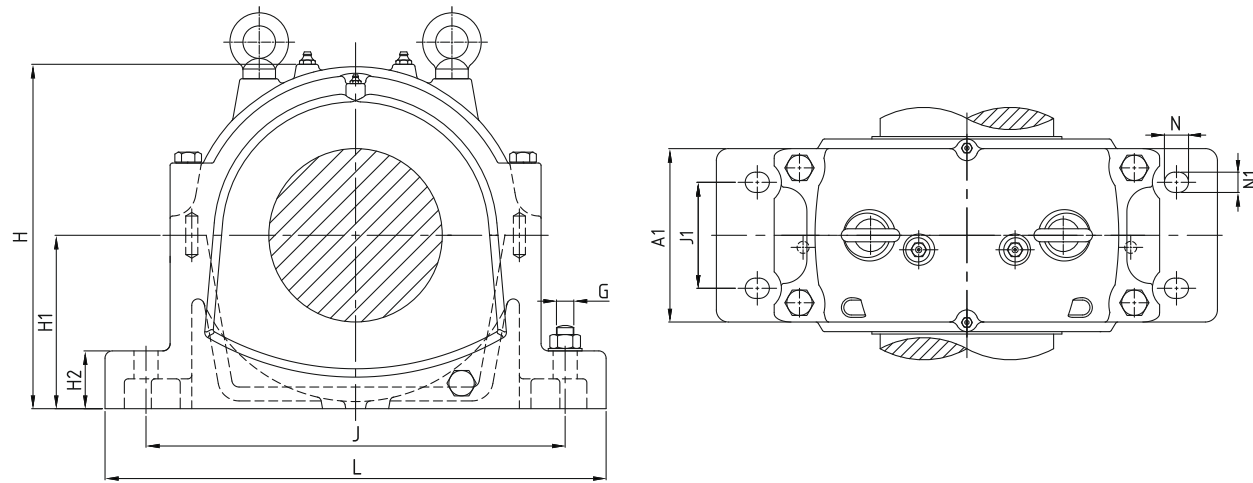


BF TYPE-Through Shaft, Located Bearing  
BL TYPE-Through Shaft, Non-Located Bearing

Shaft dia da	Approx Weight KG	Bearing Seating Ca D		A2	A3	EYE BOLT	Appropriate Bearing	Adapter Sleeve	Locating Ring Size
150	97.5	122	310	270	331	M 20	23234 CCK/W33	H 2334	2 FRB 6/310
160	97.5	124	320	270	334	M 20	23236 CCK/W33	H 2336	2 FRB 6/320
170	123	132	340	290	351	M 20	23238 CCK/W33	H 2338	2 FRB 6/340
180	139	140	360	300	383	M 20	23240 CCK/W33	H 2340	2 FRB 6/360
200	187	164	400	315	404	M 24	23244 CCK/W33	OH 2344 H	2 FRB 10/400
220	221	180	440	330	414	M 24	23248 CCK/W33	OH 2348 H	2 FRB 10/440
240	301	194	480	360	442	M 30	23252 CCK/W33	OH 2352 H	2 FRB 10/480
260	301	196	500	360	442	M 30	23256 CCK/W33	OH 2356 H	2 FRB 10/500
280	339	212	540	380	462	M 30	23260 CCK/W33	OH 3260 H	2 FRB 10/540

# SNL 3200 SERIES

Plummer Blocks (Bearing Housings)  
For Bearings with Adapter Sleeves

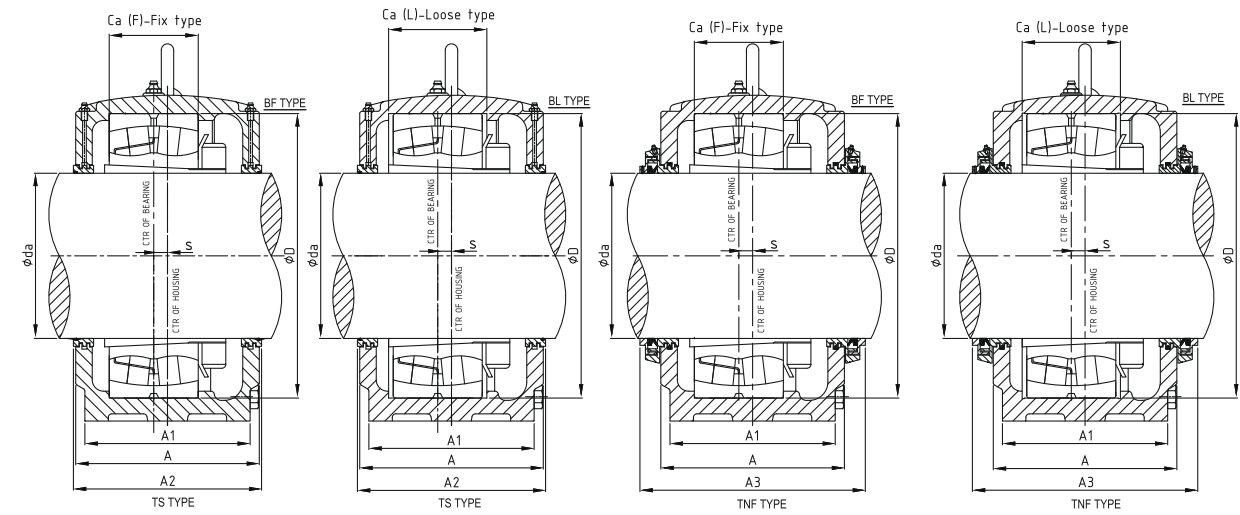


BF TYPE-Through Shaft, Located Bearing  
BL TYPE-Through Shaft, Non-Located Bearing

Plummer Blocks Designation	Shaft dia da	Dimension in MM											
		A	A1	H	H1	H2	J	J1	L	N	N1	S	G
SNL 3264	300	400	360	675	340	120	810	200	950	50	42	24	M 36
SNL 3268	320	400	360	715	360	120	870	220	1040	50	42	30	M 36
SNL 3272	340	430	390	755	380	125	950	240	1120	60	48	30	M 42
SNL 3276	360	460	420	810	410	130	1000	260	1170	60	48	35	M 42
SNL 3280	380	460	430	835	420	135	1030	260	1220	60	48	35	M 42
SNL 3284	400	470	440	880	440	145	1070	260	1280	60	48	35	M 42
SNL 3288	410	470	440	920	460	155	1110	260	1330	70	56	35	M 48

# SNL 3200 SERIES

Plummer Blocks (Bearing Housings)  
For Bearings with Adapter Sleeves

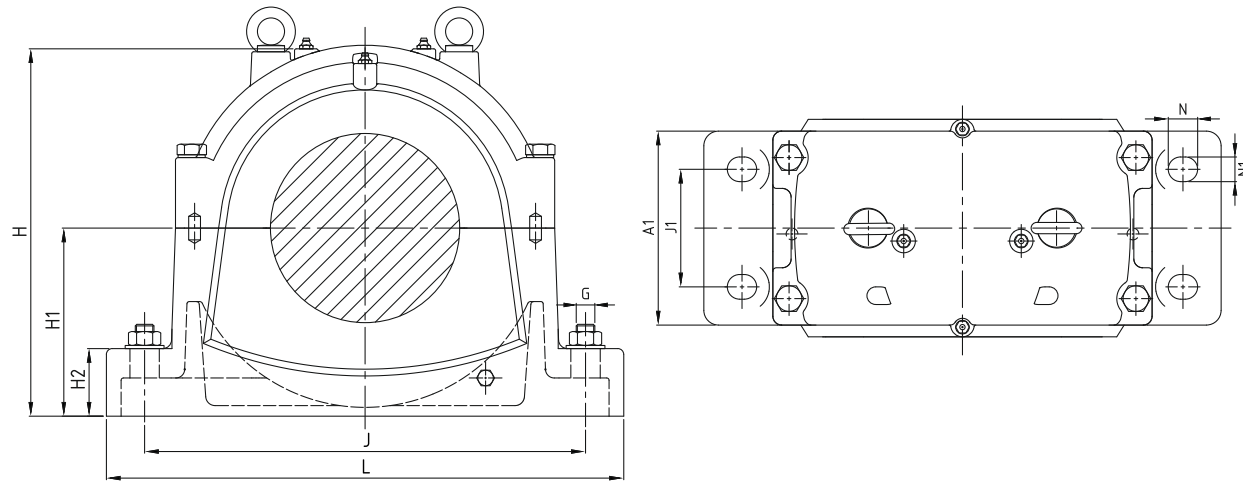


BF TYPE-Through Shaft, Located Bearing  
BL TYPE-Through Shaft, Non-Located Bearing

Shaft dia da	Approx Weight KG	Bearing Seating Ca		D	A2	A3	EYE BOLT	Appropriate Bearing	Adapter Sleeve
		F- Fix	L- Loose						
300	430	208	228	580	410	491	M 30	23264 CCK/W33	OH 3264 H
320	473	224	244	620	410	491	M 36	23268 CAK/W33	OH 3268 H
340	595	232	252	650	440	521	M 42	23272 CAK/W33	OH 3272 H
360	716	240	260	680	470	552	M 42	23276 CAK/W33	OH 3276 H
380	755	256	276	720	470	552	M 42	23280 CAK/W33	OH 3280 H
400	865	272	292	760	480	562	M 48	23284 CAK/W33	OH 3284 H
410	947	280	300	790	480	561	M 48	23288 CAK/W33	OH 3288 H

# SNL 3100-3000 G SERIES

Plummer Blocks (Bearing Housings)  
For Bearings with Cylindrical Bore

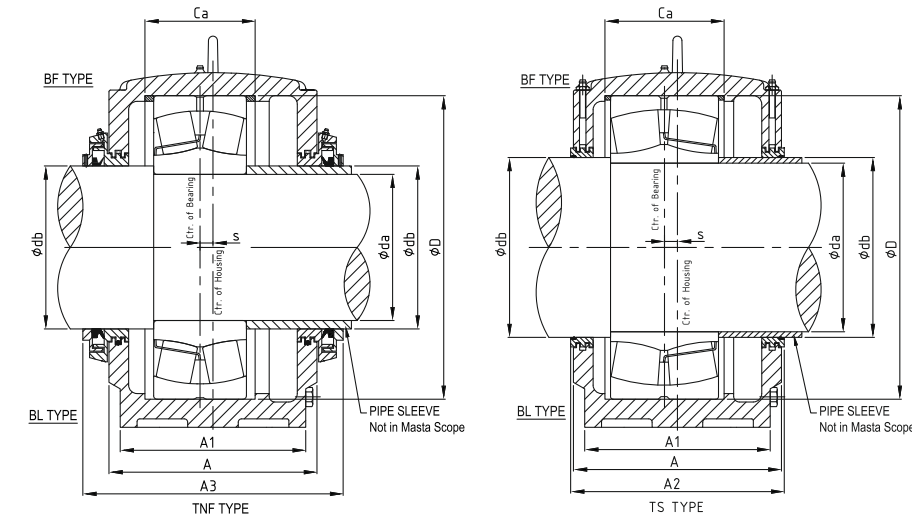


BF TYPE-Through Shaft, Located Bearing  
BL TYPE-Through Shaft, Non-Located Bearing

Plummer Blocks Designation	Shaft dia		Dimension in MM												
	da	db	A	A1	H	H1	H2	J	J1	L	N	N1	S	G	
SNL 3134 G	130	150	230	180	333	170	70	430	100	510	34	28	14	M 24	
	170	180	230	180	333	170	70	430	100	510	34	28	14	M 24	
SNL 3036 G	180	200	230	180	333	170	70	430	100	510	34	28	14	M 24	
SNL 3136 G	140	160	240	190	353	180	75	450	110	530	34	28	15	M 24	
	180	200	240	190	353	180	75	450	110	530	34	28	15	M 24	
SNL 3038 G	160	180	240	190	353	180	75	450	110	530	34	28	15	M 24	
	190	200	240	190	353	180	75	450	110	530	34	28	15	M 24	
SNL 3138 G	150	170	260	210	375	190	80	480	120	560	34	28	10	M 24	
	180	200	260	210	375	190	80	480	120	560	34	28	10	M 24	
	190	200	260	210	375	190	80	480	120	560	34	28	10	M 24	
SNL 3040 G	170	190	260	210	375	190	80	480	120	560	34	28	10	M 24	
	200	220	260	210	375	190	80	480	120	560	34	28	10	M 24	
SNL 3140 G	160	180	280	230	411	210	85	510	130	610	42	35	10	M 30	
	190	210	280	230	411	210	85	510	130	610	42	35	10	M 30	
	200	220	280	230	411	210	85	510	130	610	42	35	10	M 30	
SNL 3044 G	220	240	280	230	411	210	85	510	130	610	42	35	10	M 30	
SNL 3144 G	220	240	290	240	434	220	90	540	140	640	42	35	12	M 30	
SNL 3048 G	240	260	290	240	434	220	90	540	140	640	42	35	12	M 30	
	200	220	290	240	434	220	90	540	140	640	42	35	12	M 30	
	170	190	290	240	434	220	90	540	140	640	42	35	12	M 30	
SNL 3148 G	190	210	310	260	474	240	95	600	150	700	42	35	12	M 30	
	240	260	310	260	474	240	95	600	150	700	42	35	12	M 30	
SNL 3052 G	260	280	310	260	474	240	95	600	150	700	42	35	12	M 30	

# SNL 3100-3000 G SERIES

Plummer Blocks (Bearing Housings)  
For Bearings with Cylindrical Bore

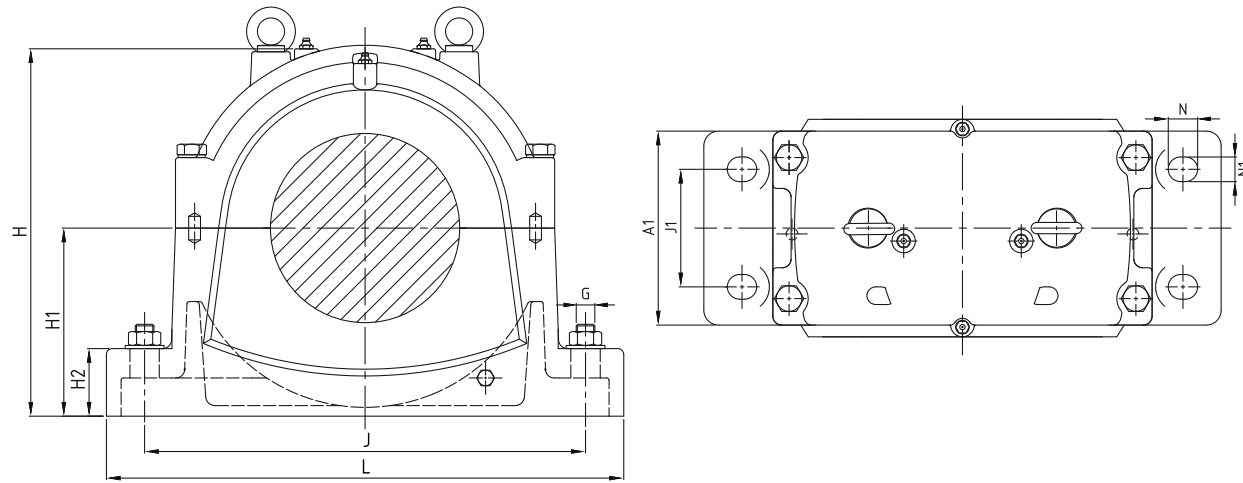


BF TYPE-Through Shaft, Located Bearing  
BL TYPE-Through Shaft, Non-Located Bearing

Shaft dia		Approx Weight	Bearing Seating		EYE BOLT		Appropriate Bearing	Locating Ring Size
da	db	KG	Ca	D	A2	A3		
130	150	69.5	108	280	240	302	M 16	22326 CC/W33 2 FRB 7.5/280
170	180	69.5	108	280	240	302	M 16	23134 CC/W33 2 FRB 10/280
180	200	69.5	108	280	240	304	M 16	23036 CC/W33 2 FRB 17/280
140	160	77.5	116	300	250	317	M 16	22328 CC/W33 2 FRB 7/300
180	200	77.5	116	300	250	317	M 16	23136 CC/W33 2 FRB 10/300
160	180	77.5	115	290	250	318	M 16	22232 CC/W33 2 FRB 17.5/290
190	200	77.5	115	290	250	318	M 16	23038 CC/W33 4 FRB 10/290
150	170	97.5	124	320	270	334	M 20	22330 CC/W33 2 FRB 8/320
180	200	97.5	124	320	270	334	M 20	22236 CC/W33 2 FRB 19/320
190	200	97.5	124	320	270	334	M 20	23138 CC/W33 2 FRB 10/320
170	190	97.5	122	310	270	331	M 20	22234 CC/W33 2 FRB 18/310
200	220	97.5	122	310	270	331	M 20	23040 CC/W33 4 FRB 10/310
160	180	123	132	340	290	351	M 20	22332 CC/W33 2 FRB 9/340
190	210	123	132	340	290	351	M 20	22238 CC/W33 4 FRB 10/340
200	220	123	132	340	290	351	M 20	23140 CC/W33 2 FRB 10/340
220	240	123	130	340	290	353	M 20	23044 CC/W33 4 FRB 10/340
220	240	138	140	370	300	361	M 20	23144 CC/W33 2 FRB 10/370
240	260	139	140	360	300	387	M 20	23048 CC/W33 4 FRB 12/360
200	220	139	140	360	300	387	M 20	22240 CC/W33 2 FRB 21/360
170	190	139	140	360	300	387	M 20	22334 CC/W33 2 FRB 10/360
190	210	187	148	400	315	404	M 24	22338 CC/W33 2 FRB 8/400
240	260	187	148	400	315	404	M 24	23148 CC/W33 2 FRB 10/400
260	280	187	148	400	315	397	M 24	23052 CC/W33 2 FRB 22/400

# SNL 3100-3000 G SERIES

Plummer Blocks (Bearing Housings)  
For Bearings with Cylindrical Bore

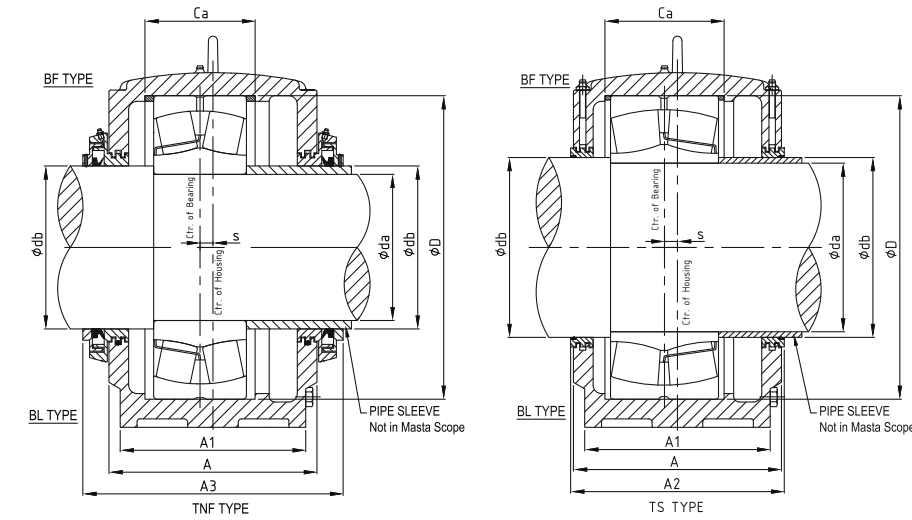


BF TYPE-Through Shaft, Located Bearing  
BL TYPE-Through Shaft, Non-Located Bearing

Plummer Blocks Designation	Shaft dia		Dimension in MM											
	da	db	A	A1	H	H1	H2	J	J1	L	N	N1	S	G
SNL 3152 G	240	260	320	280	516	260	100	650	160	770	50	42	13	M 36
	260	280	320	280	516	260	100	650	160	770	50	42	13	M 36
SNL 3056 G	200	220	320	280	516	260	100	650	160	770	50	42	13	M 36
	280	300	320	280	516	260	100	650	160	770	50	42	13	M 36
SNL 3156 G	220	240	320	280	551	280	105	670	160	790	50	42	16	M 36
	280	300	320	280	551	280	105	670	160	790	50	42	16	M 36
SNL 3060 G	300	320	320	280	551	280	105	670	160	790	50	42	16	M 36
SNL 3160 G	240	260	350	310	591	300	110	710	190	830	50	42	22	M 36
	280	300	350	310	591	300	110	710	190	830	50	42	22	M 36
	300	320	350	310	591	300	110	710	190	830	50	42	22	M 36
SNL 3064 G	260	280	350	310	591	300	110	710	190	830	50	42	22	M 36
	320	340	350	310	591	300	110	710	190	830	50	42	22	M 36
SNL 3164 G	260	290	370	330	631	320	115	750	200	880	50	42	23	M 36
	300	320	370	330	631	320	115	750	200	880	50	42	23	M 36
	320	340	370	330	631	320	115	750	200	880	50	42	23	M 36
SNL 3068 G	340	360	370	330	631	320	115	750	200	880	50	42	23	M 36
SNL 3168 G	320	340	400	360	675	340	120	810	220	950	50	42	24	M 36
SNL 3072 G	360	380	370	330	631	320	115	750	200	880	50	42	23	M 36

# SNL 3100-3000 G SERIES

Plummer Blocks (Bearing Housings)  
For Bearings with Cylindrical Bore

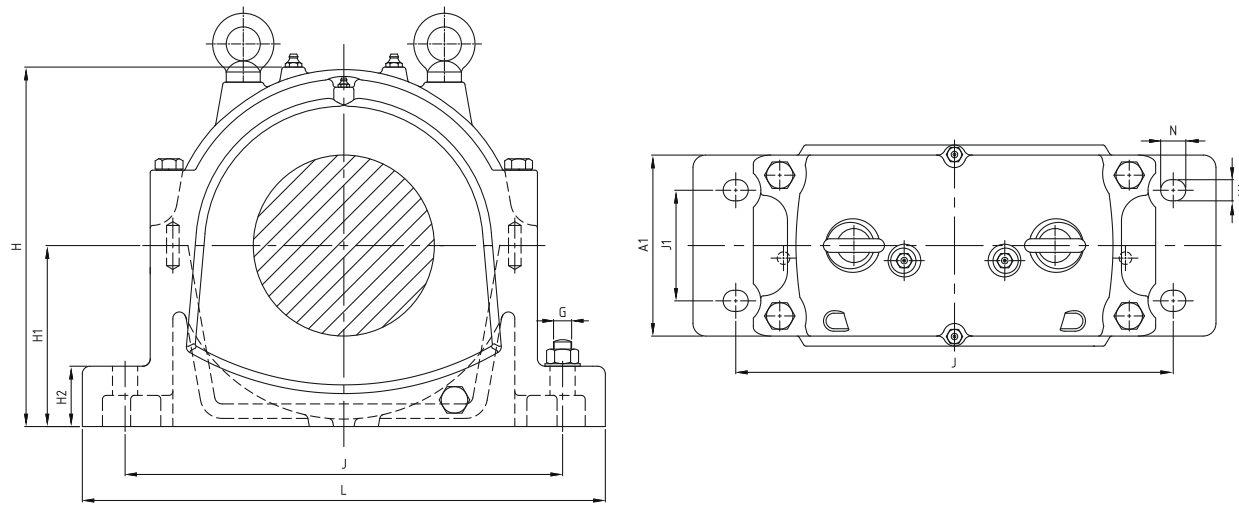


BF TYPE-Through Shaft, Located Bearing  
BL TYPE-Through Shaft, Non-Located Bearing

Shaft dia		Approx Weight KG	Bearing Seating		EYE BOLT		Appropriate Bearing	Locating Ring Size
da	db		Ca	D	A2	A3		
240	260	221	164	440	330	414	M 24	22248 CC/W33 2 FRB 22/440
260	280	221	164	440	330	414	M 24	23152 CC/W33 2 FRB 10/440
200	220	221	166	420	330	413	M 24	22340 CC/W33 2 FRB 14/420
280	300	221	166	420	330	413	M 24	23056 CC/W33 6 FRB 10/420
220	240	252	166	460	330	412	M 24	22344 CC/W33 2 FRB 10.5/460
280	300	252	166	460	330	412	M 24	23156 CC/W33 2 FRB 10/460
300	320	252	168	460	330	412	M 24	23060 CC/W33 2 FRB 25/460
240	260	301	180	500	360	442	M 30	22348 CC/W33 2 FRB 12.5/500
280	300	301	180	500	360	442	M 30	22256 CC/W33 2 FRB 25/500
300	320	301	180	500	360	442	M 30	23160 CC/W33 2 FRB 10/500
260	280	301	181	480	360	443	M 30	22252 CC/W33 2 FRB 25.5/480
320	340	301	181	480	360	443	M 30	23064 CC/W33 6 FRB 10/480
260	290	339	196	540	380	462	M 30	22352 CC/W33 2 FRB 15.5/540
300	320	339	196	540	380	462	M 30	22260 CC/W33 2 FRB 28/540
320	340	339	196	540	380	462	M 30	23164 CC/W33 2 FRB 10/540
340	360	339	197	520	380	461	M 30	23068 CC/W33 4 FRB 16/520
320	340	430	190	580	410	491	M 30	22264 CC/W33 2 FRB 20/580
360	380	339	198	540	380	461	M 30	23072 CC/W33 4 FRB 16/540

# SNL 3100-3000 G SERIES

Plummer Blocks (Bearing Housings)  
For Bearings with Cylindrical Bore

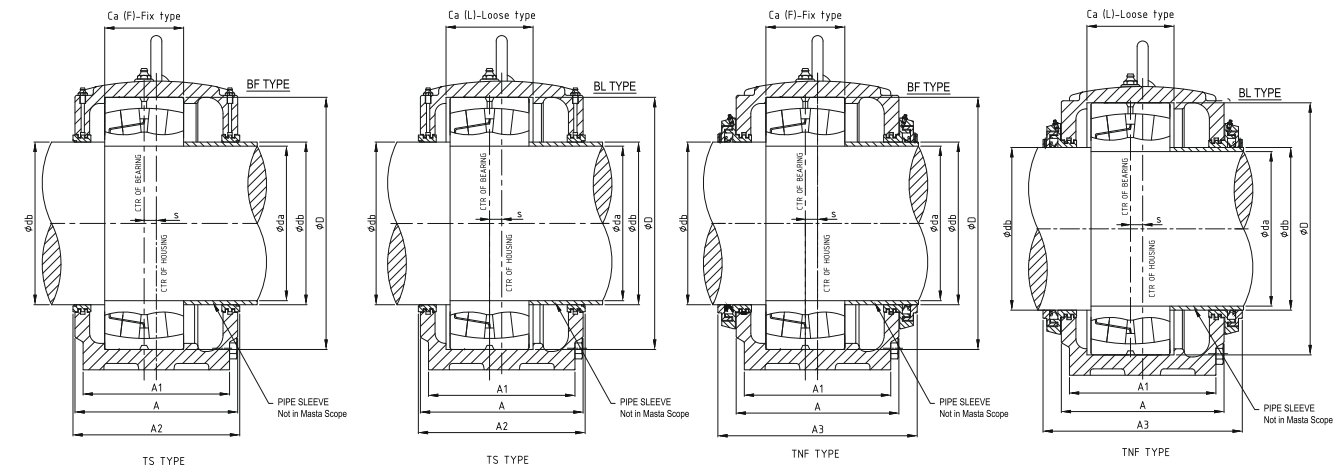


BF TYPE-Through Shaft, Located Bearing  
BL TYPE-Through Shaft, Non-Located Bearing

Plummer Blocks Designation	Shaft dia		Dimension in MM											
	da	db	A	A1	H	H1	H2	J	J1	L	N	N1	S	G
SNL 3168 G	340	360	400	360	675	340	120	810	220	950	50	42	24	M 36
SNL 3076 G	380	400	400	360	675	340	120	810	220	950	50	42	24	M 36
SNL 3172 G	360	380	400	360	695	350	120	840	220	1000	50	42	30	M 36
SNL 3080 G	400	430	400	360	695	350	120	840	220	1000	50	42	30	M 36
SNL 3176 G	380	400	400	360	715	360	120	870	220	1040	50	42	30	M 36
SNL 3084 G	420	450	400	360	715	360	120	870	220	1040	50	42	30	M 36
SNL 3180 G	360	390	430	390	755	380	125	950	240	1120	60	48	30	M 42
	400	430	430	390	755	380	125	950	240	1120	60	48	30	M 42
SNL 3088 G	440	470	430	390	755	380	125	950	240	1120	60	48	30	M 42
SNL 3184 G	420	450	460	420	810	410	130	1000	260	1170	60	48	35	M 42
SNL 3092 G	460	500	460	420	810	410	130	1000	260	1170	60	48	35	M 42
SNL 3096 G	480	510	460	420	810	410	130	1000	260	1170	60	48	35	M 42
SNL 3188 G	440	470	460	430	835	420	135	1030	260	1220	60	48	35	M 42
SNL 30/500 G	500	530	460	430	835	420	135	1030	260	1220	60	48	35	M 42
SNL 3192 G	460	500	470	440	880	440	145	1070	260	1280	60	48	35	M 42
SNL 3196 G	480	520	470	440	920	460	155	1110	260	1330	70	56	35	M 48
SNL 30/530 G	530	560	470	440	920	460	155	1110	260	1330	70	56	35	M 48

# SNL 3100-3000 G SERIES

Plummer Blocks (Bearing Housings)  
For Bearings with Cylindrical Bore

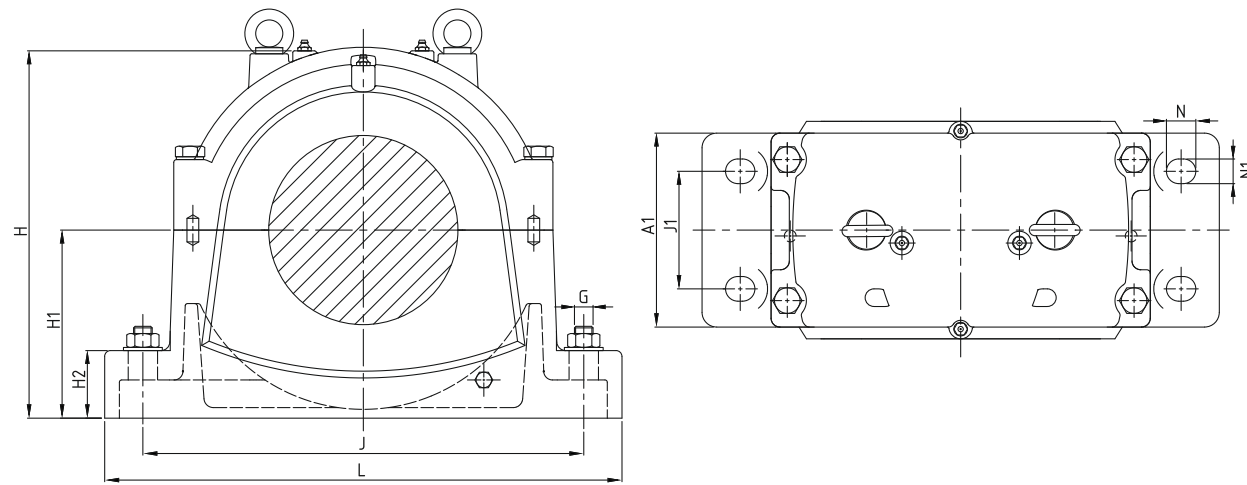


BF TYPE-Through Shaft, Located Bearing  
BL TYPE-Through Shaft, Non-Located Bearing

Shaft dia	Approx Weight	Bearing Seating Ca		EYE BOLT	Appropriate Bearing	Locating Ring Size
		F- Fix	L- Loose			
340	430	190	210	M 30	23168 CC/W33	-
380	430	135	180	M 30	23076 CC/W33	-
360	458	192	212	M 36	23172 CC/W33	-
400	458	148	192	M 36	23080 CC/W33	-
380	473	194	214	M 36	23176 CA/W33	-
420	473	150	194	M 36	23084 CA/W33	-
360	595	-	220	M 42	22272 CA/W33	2 FRB 25/650
400	595	200	220	M 42	23180 CA/W33	-
440	595	157	200	M 42	23088 CA/W33	-
420	716	224	244	M 42	23184 CJ/W33	-
460	716	163	224	M 42	23092 CA/W33	-
480	716	165	224	M 42	23096 CA/W33	-
440	755	226	246	M 42	23188 CA/W33	-
500	755	167	226	M 42	230/500 CA/W33	-
460	865	240	260	M 48	23192 CA/W33	-
480	941	248	268	M 48	23196 CA/W33	-
530	947	185	248	M 48	230/530 CA/W33	-

# SNL 3200 G SERIES

Plummer Blocks (Bearing Housings)  
For Bearings with Cylindrical Bore

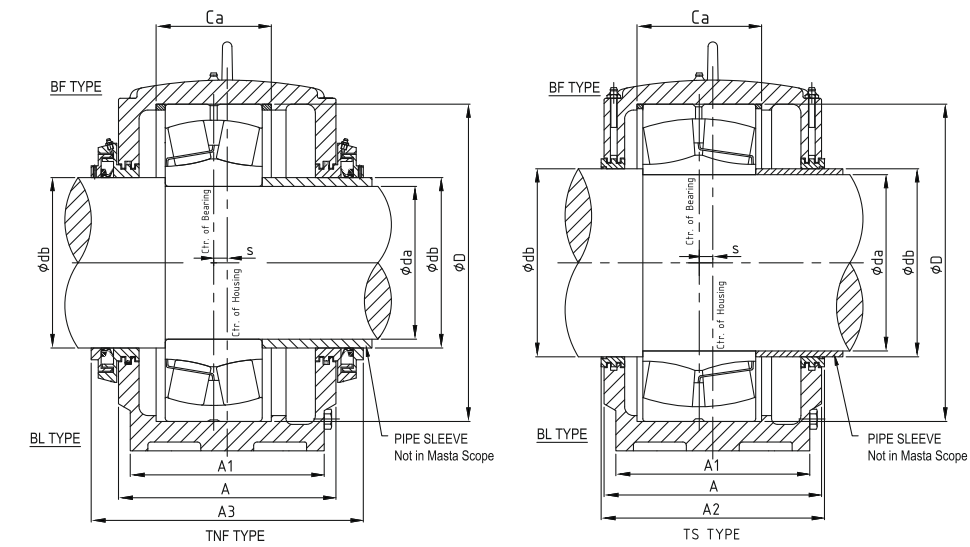


BF TYPE-Through Shaft, Located Bearing  
BL TYPE-Through Shaft, Non-Located Bearing

Plummer Blocks Designation	Shaft dia		Dimension in MM											
	da	db	A	A1	H	H1	H2	J	J1	L	N	N1	S	G
SNL 3234 G	170	190	260	210	375	190	80	480	120	560	34	28	10	M 24
SNL 3236 G	180	200	260	210	375	190	80	480	120	560	34	28	10	M 24
SNL 3238 G	190	210	280	230	411	210	85	510	130	610	42	35	10	M 30
SNL 3240 G	200	220	290	240	434	220	90	540	140	640	42	35	12	M 30
SNL 3244 G	220	240	310	260	474	240	95	600	150	700	42	35	12	M 30
SNL 3248 G	240	260	320	280	516	260	100	650	160	770	50	42	13	M 36
SNL 3252 G	260	280	350	310	591	300	110	710	190	830	50	42	22	M 36
SNL 3256 G	280	300	350	310	591	300	110	710	190	830	50	42	22	M 36
SNL 3260 G	300	320	370	330	631	320	115	750	200	880	50	42	23	M 36

# SNL 3200 G SERIES

Plummer Blocks (Bearing Housings)  
For Bearings with Cylindrical Bore

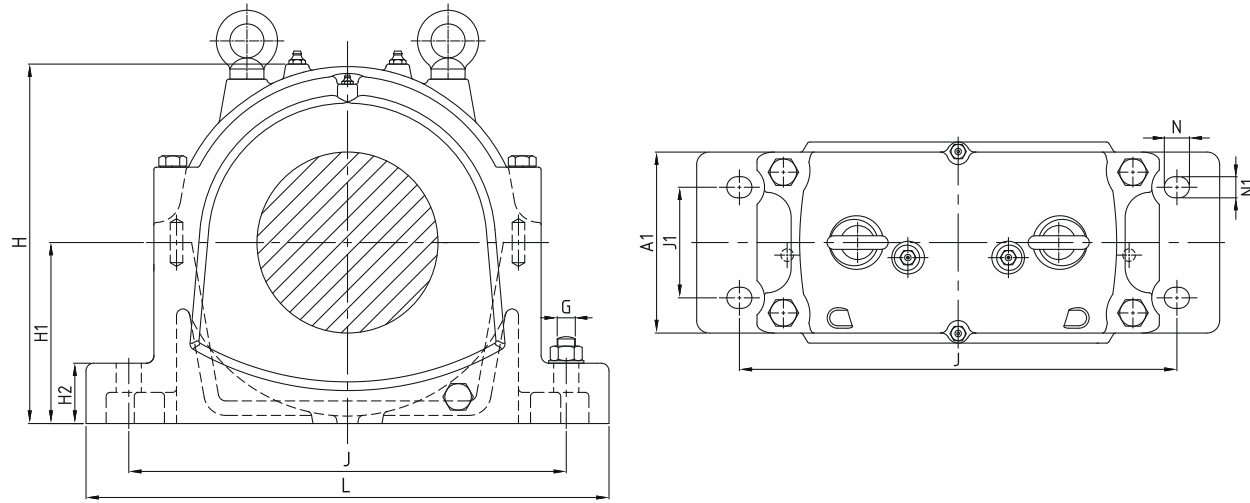


BF TYPE-Through Shaft, Located Bearing  
BL TYPE-Through Shaft, Non-Located Bearing

Shaft dia		Approx Weight KG	Bearing Seating		EYE BOLT	Appropriate Bearing	Locating Ring Size
da	db		Ca	D			
170	190	97.5	122	310	M 20	23234 CC/W33	2 FRB 6/310
180	200	97.5	124	320	M 20	23236 CC/W33	2 FRB 6/320
190	210	123	132	340	M 20	23238 CC/W33	2 FRB 6/340
200	220	139	140	360	M 20	23240 CC/W33	2 FRB 6/360
220	240	187	164	400	M 24	23244 CC/W33	2 FRB 10/400
240	260	221	180	440	M 24	23248 CC/W33	2 FRB 10/440
260	280	301	194	480	M 30	23252 CC/W33	2 FRB 10/480
280	300	301	196	500	M 30	23256 CC/W33	2 FRB 10/500
300	320	339	212	540	M 30	23260 CC/W33	2 FRB 10/540

# SNL 3200 G SERIES

Plummer Blocks (Bearing Housings)  
For Bearings with Cylindrical Bore

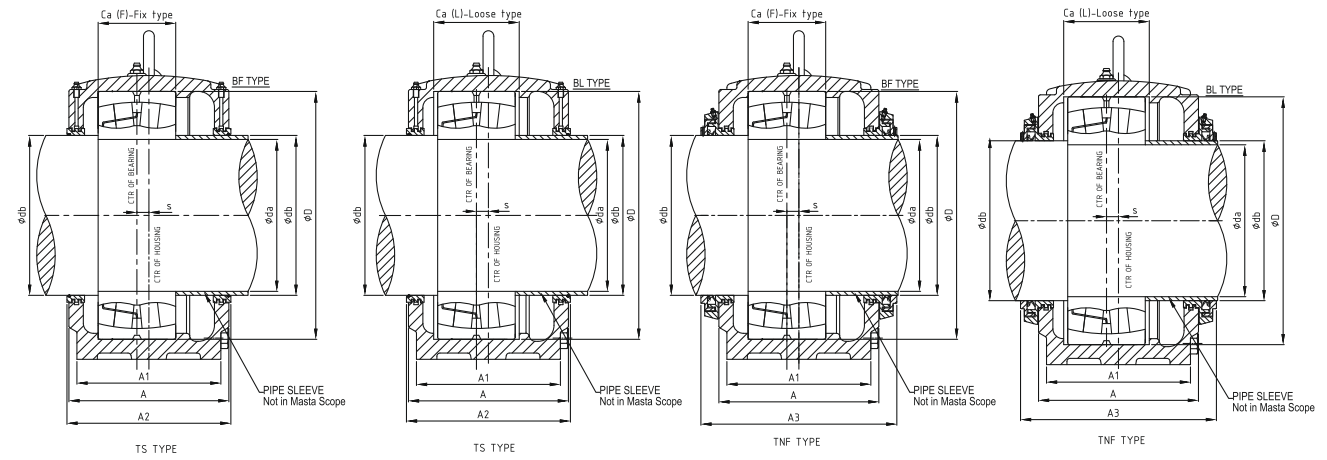


BF TYPE-Through Shaft, Located Bearing  
BL TYPE-Through Shaft, Non-Located Bearing

Plummer Blocks Designation	Shaft dia		Dimension in mm											
	da	db	A	A1	H	H1	H2	J	J1	L	N	N1	S	G
SNL 3264 G	320	340	400	360	675	340	120	810	200	950	50	42	24	M 36
SNL 3268 G	340	370	400	360	715	360	120	870	220	1040	50	42	30	M 36
SNL 3272 G	360	390	430	390	755	380	125	950	240	1120	60	48	30	M 42
SNL 3276 G	380	410	460	420	810	410	130	1000	260	1170	60	48	35	M 42
SNL 3280 G	400	430	460	430	835	420	135	1030	260	1220	60	48	35	M 42
SNL 3284 G	420	460	470	440	880	440	145	1070	260	1280	60	48	35	M 42
SNL 3288 G	440	480	470	440	920	460	155	1110	260	1330	70	56	35	M 48

# SNL 3200 G SERIES

Plummer Blocks (Bearing Housings)  
For Bearings with Cylindrical Bore



BF TYPE-Through Shaft, Located Bearing  
BL TYPE-Through Shaft, Non-Located Bearing

Shaft dia	Approx Weight	Bearing Seating Ca		EYE BOLT	Appropriate Bearing
		F- Fix	L- Loose		
da	db	KG	D	A2	A3
320	340	430	208	228	580 410 491 M 30 23264 CC/W33
340	370	473	224	244	620 410 491 M 36 23268 CA/W33
360	390	595	232	252	650 440 521 M 42 23272 CA/W33
380	410	716	240	260	680 470 552 M 42 23276 CA/W33
400	430	755	256	276	720 470 552 M 42 23280 CA/W33
420	460	865	272	292	760 480 562 M 48 23284 CA/W33
440	480	947	280	300	790 480 561 M 48 23288 CA/W33