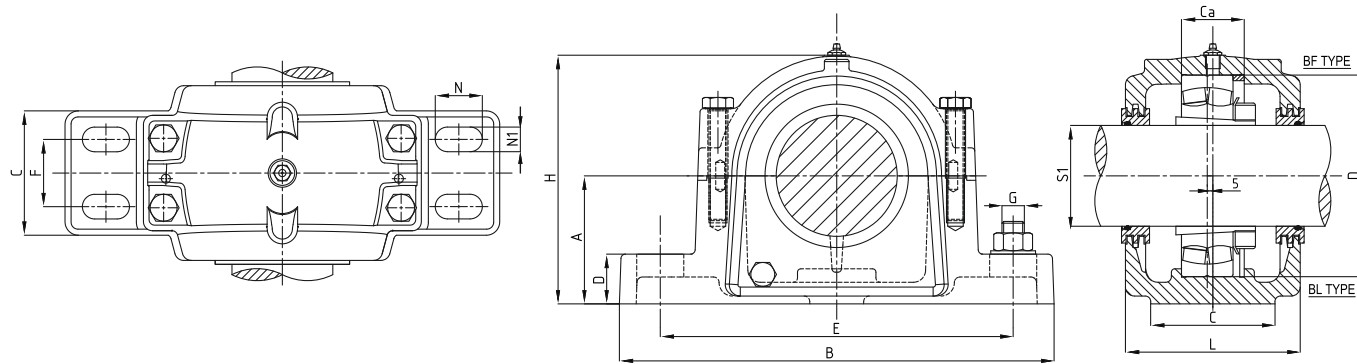


SAF 500 SERIES

Plummer Blocks (Bearing Housings)
For Bearings with Adapter Sleeves

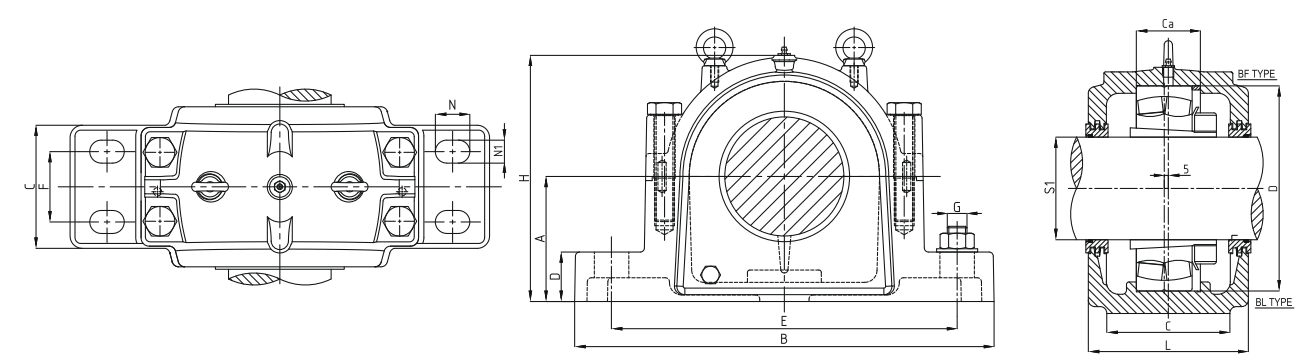


Plummer Block SAF-524 and above are supplied with Eye bolt on cap.

Bearing Housing No.	Shaft Dia S1		Housing Dimension in MM											Foundation Bolts(Nos)		Bearing Seat Width	Approx Weight	Bearing No.	Stablizing Ring		
	For inch Size Brg.	For mm Size Brg.	B	E	F	C	D	A	H	L	N	N1	G	mm	inch				D	Ca	Kg.
SAF 505	19.05	20	165.1	139.7	-	44.4	17.5	38.1	74.6	73	23	14	M 12(2)	1/2(2)	52	28	2.5	1205 K	6.5/52	2	
																			2205 K	10/52	1
SAF 506	23.81	25	190.5	144.5	-	50.8	17.5	44.4	85.7	82.6	23	14	M 12(2)	1/2(2)	62	30	3	1206 K	7/62	2	
																			2206 K	10/62	1
SAF 507	30.16	30	190.5	149.2	-	50.8	20.6	50.8	96.8	82.6	23	14	M 12(2)	1/2(2)	72	33	3.7	1207 K	8/72	2	
																			2207 K	10/72	1
SAF 509	36.51	35	209.6	168.3	-	60.3	20.6	57.2	111.1	92.1	23	14	M 12(2)	1/2(2)	85	33	4.3	1209 K	7/85	2	
																			2209 K	10/85	1
SAF 510	42.86	40	209.6	171.4	-	60.3	23.8	63.5	120.6	92.1	23	14	M 12(2)	1/2(2)	90	33	5.2	1210 K	6.5/90	2	
																			2210 K	10/90	1
SAF 511	49.21	50	244.5	193.6	-	69.8	23.8	69.8	133.4	98.4	23	18	M 16(2)	5/8(2)	100	35	6.5	1211 K	7/100	2	
																			2211 K	10/100	1
SAF 512	52.39	55	270	210	-	70	28.6	76.2	148	118	23	18	M 16(2)	5/8(2)	110	38	8.7	1212 K	8/110	2	
																			2212 K	10/110	1
SAF 513	55.56	60	279.4	223.8	-	79.4	25.4	76.2	150.8	111.3	28	18	M 16(2)	5/8(2)	120	41	9.5	1213 K	9/120	2	
																			2213 K	10/120	1
SAF 515	61.91	65	285.8	231.8	-	79.4	28.6	82.6	161.9	120.6	28	18	M 16(2)	5/8(2)	130	41	11	1215 K	8/130	2	
																			2215 K	10/130	1
																			22215 K	10/130	1

SAF 500 SERIES

Plummer Blocks (Bearing Housings)
For Bearings with Adapter Sleeves

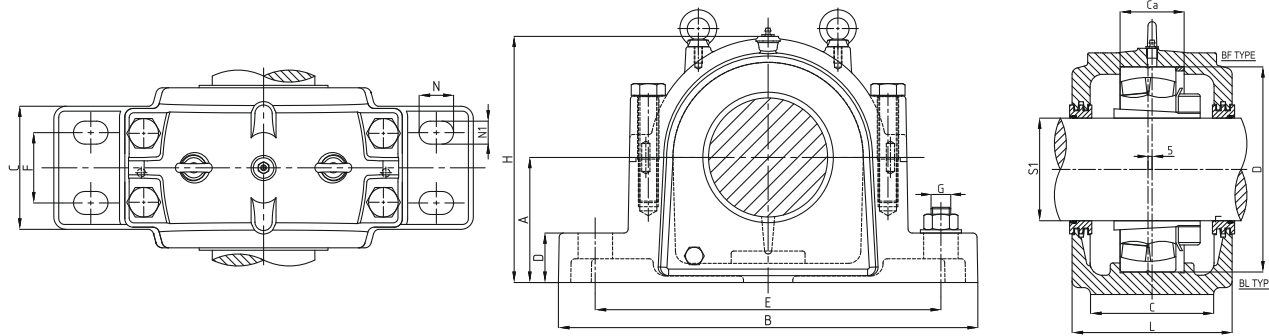


Plummer Block SAF-524 and above are supplied with Eye bolt on cap.

Bearing Housing No.	Shaft Dia S1		Housing Dimension in MM											Foundation Bolts(Nos)		Bearing Seat Width	Approx Weight	Bearing No.	Stablizing Ring		
	For inch Size Brg.	For mm Size Brg.	B	E	F	C	D	A	H	L	N	N1	G	mm	inch				D	Ca	Kg.
SAF 516	68.26	70	330.2	261.95	54	88.9	30.2	88.9	174.6	123.8	35	22	M 20(2)	3/4(2)	140	43	13.5	1216 K	8.5/140	2	
																			2216 K,	10/140	1
SAF 517	74.61	75	330.2	265.1	54	88.9	31.8	95.2	185.7	127	35	22	M 20(2)	3/4(2)	150	46	15	1217 K	9/150	2	
																			2217 K,	10/150	1
																			22217 CCK		
SAF 518	80.96	80	349.5	279.4	54	98.4	41.3	101.6	196.8	146	32	22	M 20(2)	3/4(2)	160	50	19	1218 K	10/160	2	
																			2218 K,	10/160	1
																			22218 CCK		
SAF 519	83.41	85	362	295	54	99	44.1	108.0	210	150	32	22	M 20(2)	3/4(2)	170	53	22	1219 K	10.5/170	2	
																			2219 K,	10/170	1
																			22219 CCK		
SAF 520	87.31	90	387.4	314.35	60.3	111.1	44.1	114.3	222.2	155.6	42	26	M 22(2)	7/8(2)	180	56	27.5	1220 K	11/180	2	
																			22220 CCK	10/180	1
SAF 522	100.01	100	419.1	344.5	69.8	120.6	50.8	125.4	244.5	165.1	42	22	M 20(4)	3/4(4)	200	63	34.5	1222 K	12.5/200	2	
																			22222 CCK	10/200	1
SAF 524	106.36	110	419.1	352.45	69.8	120.6	54.0	133.4	260.4	187.3	42	22	M 20(4)	3/4(4)	215	68	41	22224 CCK	10/215	1	
SAF 526	112.71	115	466.7	388.95	82.6	130.2	60.3	152.4	292.1	203.2	40	26	M 22(4)	7/8(4)	230	74	55	22226 CCK	10/230	1	
SAF 528	125.41	125	511.2	420.7	85.7	149.2	60.3	152.4	298.3	193.7	40	28	M 24(4)	1(4)	250	78	61	22228 CCK	10/250	1	

SAF 500 SERIES

Plummer Blocks (Bearing Housings)
For Bearings with Adapter Sleeves

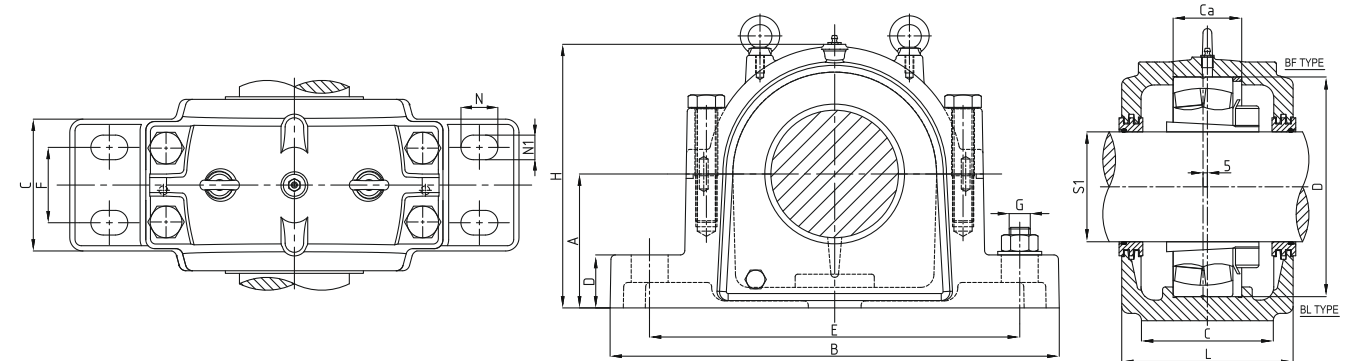


Plummer Block SAF-524 and above are supplied with Eye bolt on cap.

Bearing Housing No.	Shaft Dia S1		Housing Dimension in MM											Foundation Bolts(Nos)		Bearing Seat Width D Ca	Approx Weight Kg.	Bearing No.	Stablizing Ring Size Nos.
	For inch Size Brg.	For mm Size Brg.	B	E	F	C	D	A	H	L	N	N1	mm	inch	G				
SAF 530	131.76	130	539.8	447.7	95.2	158.8	63.5	160.3	317.5	212.7	42	28	M 24 (4)	1 (4)	270 83	67	22230 CCK	10/270 1	
SAF 532	138.11	140	558.8	465.15	95.2	158.8	66.7	169.9	338.1	222.1	48	28	M 24 (4)	1(4)	290 90	78.5	22232 CCK	10/290 1	
SAF 534	150.81	150	628.6	520.7	108.0	171.4	69.8	179.4	360.4	244.5	54	28	M 24 (4)	1 (4)	310 96	99.5	22234 CCK	10/310 1	
SAF 536	163.51	160	679.4	565.15	117.5	181	76.2	190.5	377.8	254	60	28	M 24 (4)	1 (4)	320 96	110	22236 CCK	10/320 1	
SAF 538	176.21	175	711.2	584.2	114.5	190.5	79.4	200	398.5	273	65	35	M 30 (4)	1.1/4 (4)	340 102	136	22238 CCK	10/340 1	
SAF 540	182.56	180	749.3	603.25	127.0	203.2	85.7	209.6	419.1	285.8	65	35	M 30 (4)	1.1/4 (4)	360 108	168.5	22240 CCK	10/360 1	
SAF 544	201.61	200	831.8	668.3	133.4	222.2	95.2	241.3	473.1	304.8	80	42	M 30 (4)	1.1/4 (4)	400 118	223.5	22244 CCK	10/400 1	

SAF 600 SERIES

Plummer Blocks (Bearing Housings)
For Bearings with Adapter Sleeves

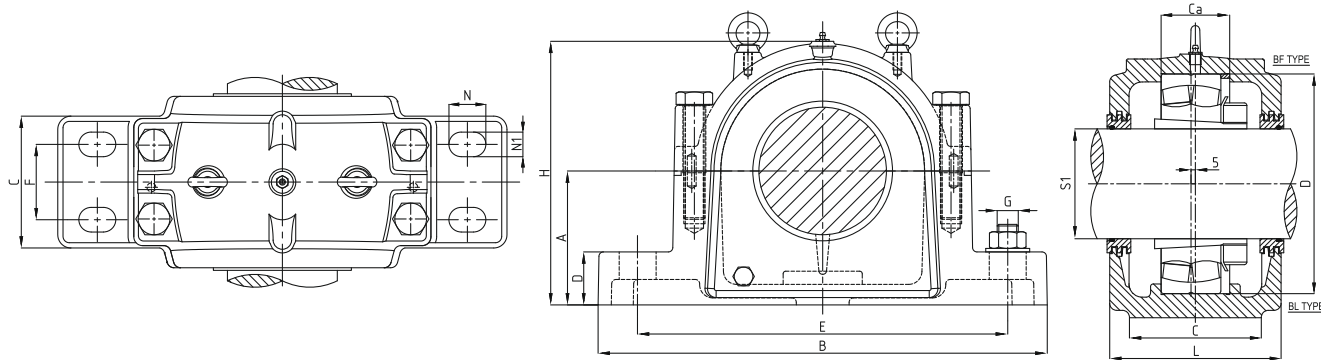


Plummer Block SAF620 and above are Supplied with eye bolts on cap.

Bearing Housing No.	Shaft Dia S1	Housing Dimension in MM											Foundation Bolts(Nos)		Bearing Seat Width		Approx Weight Kg.	Bearing No.	Stablizing Ring Size Nos.
		B	E	F	C	D	A	H	L	N	N1	mm	inch	D	Ca				
SAF 605	19.05	190	145	—	51	17.5	44.4	86	93	23	15	M 12(2)	1/2(2)	62 34	3.2	1305 K 2305 K	8.5/62 2 10/62 1		
SAF 606	23.81	190	148	---	51	20.6	50.8	97	93	23	15	M 12(2)	1/2(2)	72 37	3.8	1306 K 2306 K	9/72 2 10/72 1		
SAF 608	30.16	210	170	---	60	25.4	63.5	122	102	23	15	M 12(2)	1/2(2)	90 43	5.5	1308 K 22308 CCK	10/90 2 10/90 1		
SAF 609	36.51	244.5	193.65	—	69.8	25.4	69.8	134.9	108	23	18	M 16(2)	5/8(2)	100 46	6.5	1309 K 22309 CCK	10.5/100 2 10/100 1		
SAF 610	42.86	269.9	212.7	---	69.8	28.6	76.2	147.6	117.5	32	18	M 16(2)	5/8(2)	110 50	9	1310 K 22310 CCK	11.5/110 2 10/110 1		
SAF 611	49.21	279.4	223.85	50.8	79.4	30.2	82.6	157.2	123.8	32	18	M 16(2) M 12(4)	5/8(2) 1/2(4)	120 53	10	1311 K 22311 CCK	12/120 2 10/120 1		
SAF 612	52.39	286	230	— 48	80	30.2	82.6	162	133	32	18	M 16(2) M 12(4)	5/8(2) 1/2(4)	130 56	11.5	1312 K 22312 CCK	12.5/130 2 10/130 1		
SAF 613	55.56	330.2	261.95	— 54	88.9	31.8	88.9	176.2	136.5	37	22	M 20(2) M 16(4)	3/4(2) 5/8(4)	140 58	14	1313 K 22313 CCK	12.5/140 2 10/140 1		
SAF 614	60.00	330	265	— 54	90	31.8	95.2	187	137	37	22	M 20(2) M 16(4)	3/4(2) 5/8(4)	150 61	15.5	1314 K 22314 CCK	13/150 2 10/150 1		
SAF 615	61.91	349.2	279.4	— 54	98.4	41.3	101.6	196.8	158.8	37	22	M 20(2) M 16(4)	3/4(2) 5/8(4)	160 65	19	1315 K 22315 CCK	14/160 2 10/160 1		

SAF 600 SERIES

Plummer Blocks (Bearing Housings)
For Bearings with Adapter Sleeves

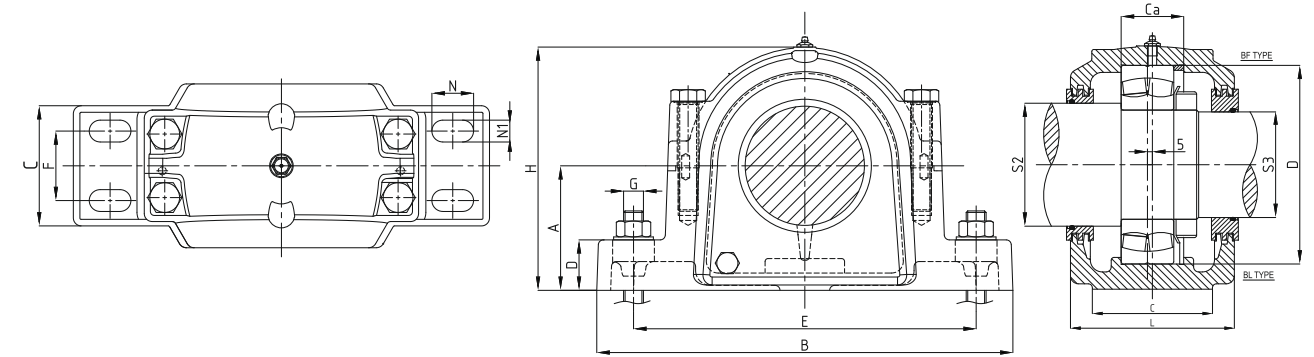


Plummer Block SAF-620 and above are supplied with Eye bolt on cap.

Bearing Housing No.	Shaft Dia S1	Housing Dimension in MM											Foundation Bolts(Nos)		Bearing Seat Width D Ca	Approx Weight Kg.	Bearing No.	Stablizing Ring Size Nos.
		B	E	F	C	D	A	H	L	N	N1	G	mm	inch				
SAF 616	68.26	362	295.3	54	98.4	44.4	108.0	209.6	165.1	45	22	M 20(2)	3/4(2)	170	68	22	1316 K	14.5/170 2
												M 16(4)	5/8(4)				22316 CCK	10/170 1
SAF 617	74.61	387.4	314.35	60.3	111.1	44.4	114.3	222.2	171.4	45	26	M 24(2)	1(2)	180	70	27.5	1317 K	14.5/180 2
												M 20(4)	3/4(4)				22317 CCK	10/180 1
SAF 618	80.96	393.7	323.85	57.2	111.1	50.8	120.6	235	174.6	39	22	M20(4)	3/4(4)	190	74	35	1318 K	15.5/190 2
																	22318 CCK	10/190 1
SAF 620	87.31	419.1	352.45	69.8	120.6	54.0	133.4	260.4	187.3	36	22	M 20(4)	3/4(4)	215	83	41	22320 CCK	10/215 1
SAF 622	100.01	466.7	388.95	82.6	130.2	60.3	152.4	292.1	203.2	42	26	M 24(4)	1(4)	240	90	55	22322 CCK	10/240 1
SAF 624	106.36	539.8	447.7	95.2	158.8	63.5	160.3	317.5	212.7	40	28	M 24(4)	1(4)	260	96	68	22324 CCK	10/260 1
SAF 626	112.71	558.8	465.15	95.2	158.8	66.3	169.9	338.1	222.2	48	28	M 24(4)	1(4)	280	103	79	22326 CCK	10/280 1
SAF 628	125.4	628.6	520.7	108	171.4	69.8	179.4	360.4	244.5	52	28	M 24(4)	1(4)	300	112	101	22328 CCK	10/300 1
SAF 630	131.76	679.4	565.15	117.5	181	76.2	190.5	377.8	247.6	58	28	M 24(4)	1(4)	320	118	112	22330 CCK	10/320 1
SAF 632	138.11	711.2	584.2	114.3	190.5	79.4	200.0	398.5	273	65	35	M 30(4)	1.1/4(4)	340	124	137	22332 CCK	10/340 1
SAF 634	150.81	749.3	603.25	127	203.2	85.7	209.6	419.1	285.8	65	35	M 30(4)	1.1/4(4)	360	130	170	22334 CCK	10/360 1
SAF 636	163.51	795	645	133	210	88.9	225.4	451.1	286	65	35	M 30(4)	1.1/4(4)	380	136	222	22336 CCK	10/380 1
SAF 638	176.21	831.8	668.3	133.4	222.2	95.2	241.3	473.1	304.8	70	42	M 36(4)	1.3/8(4)	400	142	229	22338 CCK	10/400 1
SAF 640	182.56	870	710	140	229	101.6	250.8	513	311	70	42	M 36(4)	1.3/8(4)	420	148	262	22340 CCK	10/420 1

SAF 200 SERIES

Plummer Blocks (Bearing Housings)
For Straight Cylindrical Bore Bearings

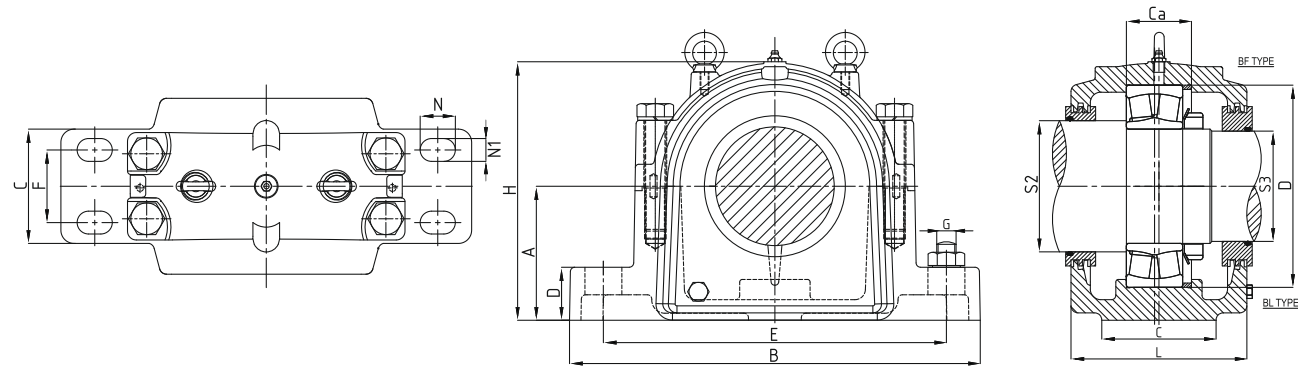


Plummer Block SAF 224 and above are supplied with eye bolts on cap.

Bearing Housing No.	Shaft Dia				Housing Dimension in MM											Foundation Bolts(Nos)		Bearing Seat Width D Ca	App. Wgt Kg.	Bearing No.	Stablizing Ring Size Nos.	
	S2	S3	mm	inch	B	E	F	C	D	A	H	L	N	N1	G	mm	inch					
SAF 216	3.5/8	92.08	3	76.2	330.2	261.95	54	88.9	31.8	88.9	176.2	136.5	35	22	M 20(2)	3/4(2)	140	43	13	1216 C	8.5/140 2	
															M 16(4)	5/8(4)				2216 C	10/140 1	
																				22216CC		
SAF 217	3.15/16	100.01	3.3/16	80.96	330.2	265.1	54	88.9	31.8	95.2	187.3	127	35	22	M 20(2)	3/4(2)	150	46	15	1217	9/150 2	
															M 16(4)	5/8(4)				2217 C	10/150 1	
																				22217 CC		
SAF 218	4.1/8	104.78	3.3/8	85.72	349.2	279.4	54	98.4	41.3	101.6	196.8	146	32	22	M 20(2)	3/4(2)	160	50	19	1218 C	10/160 2	
															M 16	5/8(4)				2218 C	10/160 1	
																				22218 CC		
SAF 219	4.1/4	107.95	3.9/16	90.48	362	295	54	99	44.4	108	210	150	32	22	M 20(2)	3/4(2)	170	53	22.0	1219 C	10.5/170 2	
															M 16(4)	5/8(4)				2219 C	10/170 1	
																				22219 CC		
SAF 220	4.1/2	114.30	3.13/16	96.84	387.4	314.35	60.3	111.1	44.4	114.3	222.2	155.6	42	26	M 22(2)	7/8(2)	180	56	27	1220 C	11/180 2	
															M 20(4)	3/4(4)				22220 CC	10/180 1	
SAF 222	4.7/8	123.82	4.3/16	106.36	419.1	344.5	69.8	120.6	50.8	125.4	244.5	165.1	42	22	M 20(4)	3/4(4)	200	63	34	1222 C	12.5/200 2	
																					22222 CC	10/200 1
SAF 224	5.5/16	134.94	4.9/16	115.89	419.1	352.45	69.8	120.6	54.0	133.4	260.4	187.3	42	22	M 20(4)	3/4(4)	215	68	41	22224 CC	10/215 1	
SAF 226	5.7/8	149.22	4.15/16	125.41	466.7	388.95	82.6	130.2	60.3	152.4	292.1	203.2	40	26	M 22(4)	7/8(4)	230	74	55	22226 CC	10/230 1	
SAF 228	6.1/4	158.75	5.5/16	134.95	511.2	420.7	85.7	149.2	60.3	152.4	298.4	193.7	40	28	M 24(4)	1(4)	250	78	61	22228 CC	10/250 1	
SAF 230	6.5/8	168.28	5.3/4	146.05	539.8	447.7	95.2	158.8	63.5	160.3	317.5	212.7	42	28	M 24(4)	1(4)	270	83	67	22230 CC	10/270 1	

SAF 200 SERIES

Plummer Blocks (Bearing Housings)
For Straight (Cylindrical) Bore Bearings

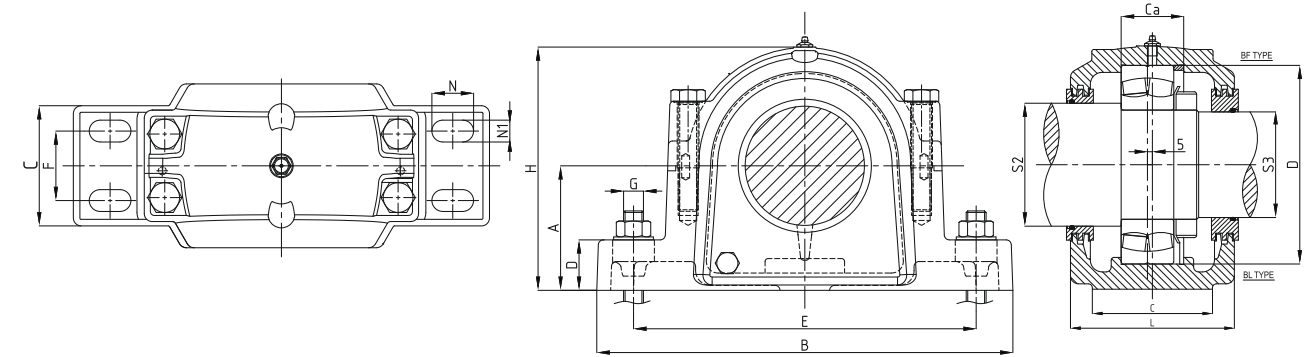


Plummer Block SAF 224 and above are
Supplied with eye bolts on cap.

Bearing Housing No.	Shaft Dia		Housing Dimension in MM											Foundation Bolts(Nos)		Bearing Seat Width D Ca	App. Wgt Kg.	Bearing No.	Stablizing Ring Size Nos.			
	S2 Inch	S3 mm	B	E	F	C	D	A	H	L	NN1	G mm	G inch									
SAF 232	7	177.8	6.1/16	153.99	558.8	465.15	95.2	158.8	66.7	169.9	338.1	222.2	48	28	M 24(4)	1(4)	290	90	77	22232 CC	10/290	1
SAF 234	7.7/6	188.91	6.7/16	163.51	628.8	520.7	108	171.4	69.8	179.4	360.4	244.5	54	28	M 24(4)	1(4)	310	96	98	22234 CC	10/310	1
SAF 236	7.13/16	198.44	6.7/8	174.62	679.4	565.15	117.5	181	76.2	190.5	377.8	254	60	28	M 24(4)	1(4)	320	96	110	22236 CC	10/320	1
SAF 238	8.3/8	212.72	7.1/4	184.15	711.2	584.2	114.3	190.5	79.4	200	398.5	273	65	35	M 30(4)	1.1/4(4)	340	102	136	22238 CC	10/340	1
SAF 240	8.3/4	222.25	7.5/8	193.68	749.3	603.25	127	203.2	85.7	209.6	419	285.8	65	35	M 30(4)	1.1/4(4)	360	108	167	22240 CC	10/360	1
SAF 244	9.9/16	242.89	8.5/16	211.14	831.8	668.3	133.4	222.2	95.2	241.3	473	304.8	80	42	M 40(4)	1.1/2(4)	400	118	222	22244 CC	10/400	1

SAF 300 SERIES

Plummer Blocks (Bearing Housings)
For Straight (Cylindrical) Bore Bearings

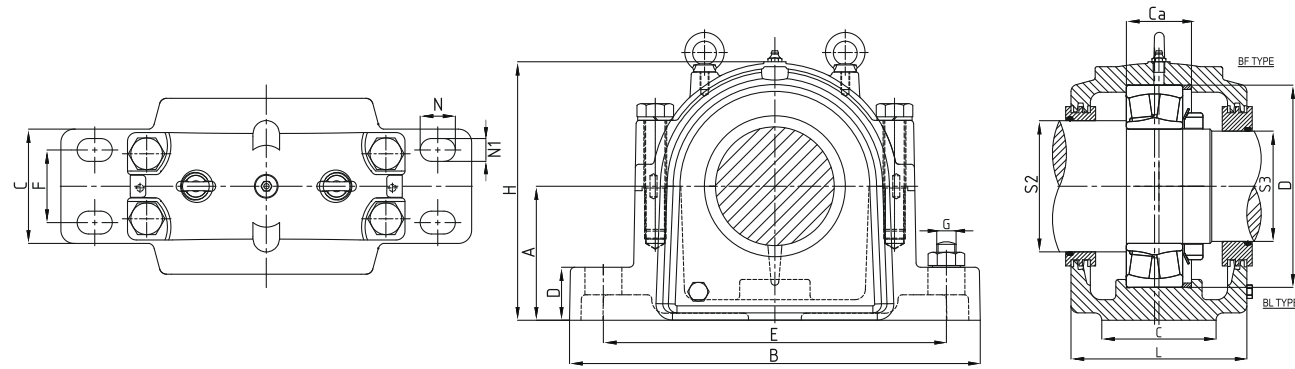


Plummer Block SAF 320 and above are
Supplied with eye bolts on cap.

Bearing Housing No.	Shaft Dia		Housing Dimension in MM											Foundation Bolts(Nos)		Bearing Seat Width D Ca	App. Wgt Kg.	Bearing No.	Stablizing Ring Size Nos.				
	S2 Inch	S3 mm	B	E	F	C	D	A	H	L	NN1	G mm	G inch										
SAF 308	1.15/16	49.21	1.7/16	36.51	209.6	171.5	—	60.3	25.4	63.5	122.2	101.6	23	15	M 12(2)	1/2(2)	90	43	5.5	1308 C	10/90	2	
																					22308 CC	10/90	1
SAF 309	2.1/8	53.98	1.11/16	42.86	244.5	193.65	—	69.8	25.4	69.8	134.9	108	23	18	M 16(2)	5/8(2)	100	46	6.5	1309 C	10.5/100	2	
																					22309CC	10/100	1
SAF 310	2.3/8	60.32	1.7/8	47.62	269.9	212.7	—	69.8	28.6	76.2	147.6	117.5	32	18	M 16(2)	5/8(2)	110	50	9	1310 C	11.5/110	2	
																					22310 CC	10/110	1
SAF 311	2.9/16	65.09	2.1/16	52.39	279.4	223.85	50.8	79.4	30.2	82.6	157.2	127	32	18	M16(2)	5/8(2)	120	53	10	1311 C	12/120	2	
																					22312 CC	10/120	1
SAF 312	2.7/8	73.02	2.1/4	57.15	285.8	231.8	47.6	79.4	30.2	82.6	161.9	133.4	32	18	M 16(2)	5/8(2)	130	56	11.5	1312 C	12.5/130	2	
																					22312CC	10/130	1
SAF 313	3.1/16	77.79	2.7/16	61.91	330.2	261.95	—	88.9	31.8	88.9	176.2	136.5	37	22	M 20(2)	3/4(2)	140	58	14	1313 C	12.5/140	2	
																					22313 CC	10/140	1
SAF 314	3.1/4	82.55	2.5/8	66.68	330.2	265.1	—	88.9	31.8	95.2	187.3	136.5	37	22	M 20(2)	3/4(2)	150	61	15.5	1314 C	13/150	2	
																					22314 CC	10/150	1
SAF 315	3.7/16	87.31	2.13/16	71.44	349.2	279.4	—	98.4	41.3	101.6	196.8	158.8	37	22	M 20(2)	3/4(2)	160	65	20	1315 C	14/160	2	
																					22315 CC	10/160	1
SAF 316	3.5/8	92.08	3	76.2	362	295.3	—	98.4	44.4	108	209.6	165.1	45	22	M 20(2)	3/4(2)	170	68	22	1316 C	14.5/170	2	
																					22316 CC	10/170	1
SAF 317	3.15/16	100.01	3.3/16	80.96	387.4	314.35	60.3	111.1	44.4	114.3	222.2	171.4	45	26	M 24(2)	1(2)	180	70	27.5	1317 C	14.5/180	2	
																					22317 CC	10/180	1

SAF 300 SERIES

Plummer Blocks (Bearing Housings)
For Straight Cylindrical Bore Bearings



Plummer Block SAF 320 and above are
Supplied with eye bolts on top cap.

Bearing Housing No.	Shaft Dia		Housing Dimension in MM										Foundation Bolts(Nos)		Bearing Seat Width D	App. Wgt Kg.	Bearing No.	Stablizing Ring Size Nos.					
	S2 Inch	S3 mm	B	E	F	C	D	A	H	L	N	N1	mm	inch					G	Ca			
SAF 318	4.1/8	104.78	3.3/8	85.72	403.7	323.85	57.2	111.1	50.8	120.6	235	174.6	39	22	M 20(4)	3/4(4)	190	74	35	1318 C	15.5/190	2	
																					22318 CC	10/190	1
SAF 320	4.1/2	114.30	3.13/16	96.84	419.1	352.45	69.8	120.6	54	133.4	260.4	187.3	36	22	M 20(4)	3/4(4)	215	83	41	22320 CC	10/215	1	
SAF 322	4.7/8	123.82	4.3/16	106.36	466.7	388.95	82.6	130.2	60.2	152.4	292.1	203.2	42	26	M 24(4)	1(4)	240	90	55	22322 CC	10/240	1	
SAF 324	5.5/16	134.94	4.9/16	115.89	539.8	447.7	95.2	158.8	63.5	160.3	317.5	212.7	40	28	M 24(4)	1(4)	260	96	68	22324 CC	10/260	1	
SAF 326	5.7/8	149.22	4.15/16	125.41	558.8	465.15	95.2	158.8	66.7	169.9	338.1	222.2	48	28	M 24(4)	1(4)	280	103	79	22326 CC	10/280	1	
SAF 328	6.1/4	158.75	5.5/16	134.94	628.6	520.7	108	171.4	69.8	179.4	360.4	238.1	52	28	M 24(4)	1(4)	300	112	101	22328 CC	10/300	1	
SAF330	6.5/8	168.28	5.3/4	146.05	679.4	565.15	117.5	181	76.2	190.5	377.8	247.6	58	28	M 24(4)	1(4)	320	118	112	22330 CC	10/320	1	
SAF332	7	177.80	6.1/16	153.99	711.2	584.2	114.3	190.5	79.4	200	398.5	273	65	35	M 30(4)	1.1/4(4)	340	124	137	22332 CC	10/340	1	
SAF334	7.7/16	188.91	6.7/16	163.51	749.3	603.25	127	203.2	85.7	209.6	419.1	285.8	65	35	M 30(4)	1.1/4(4)	360	130	170	22334 CC	10/360	1	
SAF 336	7.13/16	198.44	6.7/16	174.62	795	645	133	210	88.9	225.4	470	286	65	35	M 30(4)	1.1/4(4)	380	136	222	22336 CC	10/380	1	
SAF338	8.3/8	212.72	7.1/4	184.15	831.8	668.3	133.4	222.2	95.2	241.3	473.1	304.8	70	42	M 36(4)	1.1/4(4)	400	142	229	22338 CC	10/400	1	
SAF 340	8.3/4	222.25	7.5/8	193.68	870	710	140	229	101.6	250.8	513	311	70	42	M 36(4)	1.1/4(4)	420	148	262	22340 CC	10/420	1	

SAF TIGHTENING TORQUE



Bearing Housing Designation	Values for Foundation Bolts		
	Bolt Size		Tightening torque Nm
	Inch	Metric	
SAF 505	1/2	M12	80
SAF 506	1/2	M12	80
SAF 507	1/2	M12	80
SAF 509	1/2	M12	80
SAF 510	1/2	M12	80
SAF 511	5/8	M16	200
SAF 512	5/8	M16	200
SAF 513	5/8	M16	200
SAF 515	5/8	M16	200
SAF 516	3/4	M20	385
SAF 517	3/4	M20	385
SAF 518	3/4	M20	385
SAF 519	3/4	M20	385
SAF 520	7/8	M22	530
SAF 522	7/8	M22	530
SAF 524	3/4	M20	385
SAF 526	3/4	M20	385
SAF 528	7/8	M22	530
SAF 529	1	M24	665
SAF 530	1	M24	665
SAF 532	1	M24	665
SAF 534	1	M24	665
SAF 536	1	M24	665
SAF 538	1-1/4	M30	1310
SAF 540	1-1/4	M30	1310
SAF 544	1-1/4	M30	1310
SAF 216	3/4	M20	385
SAF 217	3/4	M20	385
SAF 218	3/4	M20	385
SAF 219	3/4	M20	530
SAF 220	7/8	M22	530
SAF 222	3/4	M20	385
SAF 224	3/4	M20	385
SAF 226	7/8	M22	530
SAF 228	1	M24	665
SAF 230	1	M24	665
SAF 232	1	M24	665
SAF 234	1	M24	665
SAF 236	1	M24	665
SAF 238	1-1/4	M30	1310
SAF 240	1-1/4	M30	1310

Bearing Housing Designation	Values for Foundation Bolts		
	Bolt Size		Tightening torque Nm
	Inch	Metric	
SAF 605	1/2	M12	80
SAF 606	1/2	M12	80
SAF 608	1/2	M12	80
SAF 609	5/8	M16	200
SAF 610	5/8	M16	200
SAF 611	5/8	M16	200
SAF 612	5/8	M16	200
SAF 613	3/4	M20	385
SAF 614	3/4	M20	385
SAF 615	3/4	M20	385
SAF 616	3/4	M20	385
SAF 617	1	M24	665
SAF 618	3/4	M20	385
SAF 620	3/4	M20	385
SAF 622	1	M24	665
SAF 624	1	M24	665
SAF 626	1	M24	665
SAF 628	1	M24	665
SAF 630	1	M24	665
SAF 632	1-1/4	M30	1310
SAF 634	1-1/4	M30	1310
SAF 636	1-1/4	M30	1310
SAF 638	1-3/8	M36	2280
SAF 640	1-3/8	M36	2280
SAF 308	1/2	M12	80
SAF 309	5/8	M16	200
SAF 310	5/8	M16	200
SAF 311	5/8	M16	200
SAF 312	5/8	M16	200
SAF 313	3/4	M20	385
SAF 314	3/4	M20	385
SAF 315	3/4	M20	385
SAF 316	3/4	M20	385
SAF 317	1	M24	665
SAF 318	3/4	M20	385
SAF 320	3/4	M20	385
SAF 322	1	M24	665
SAF 324	1	M24	665
SAF 326	1	M24	665
SAF 328	1	M24	665
SAF 330	1	M24	665
SAF 332	1-1/4	M30	1310
SAF 334	1-1/4	M30	1310
SAF 336	1-1/4	M30	1310
SAF 338	1-3/8	M36	2280
SAF 340	1-3/8	M36	2280