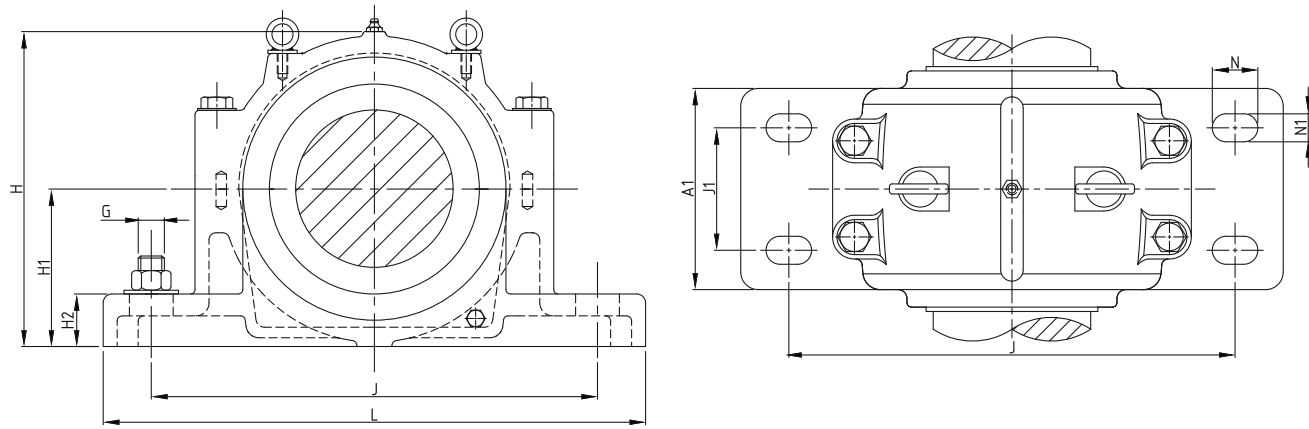


SD 3300 Series

Plummer Blocks (Bearing Housings)
For Bearings with Adapter Sleeves

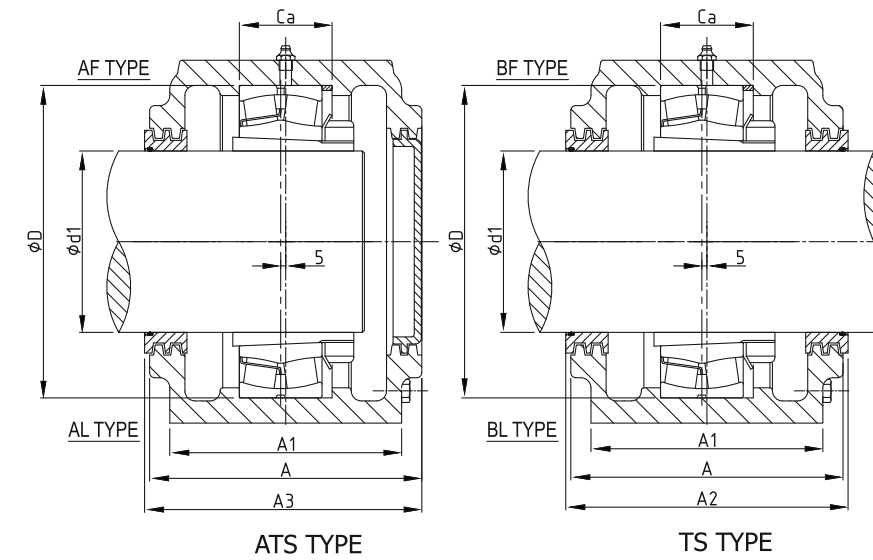


BF TYPE-Through Shaft, Located Bearing
BL TYPE-Through Shaft, Non-Located Bearing

Plummer Blocks Designation	Shaft dia d1	Dimension in MM							
		L	J	J1	H2	H1	H	A1	A
SD 3340	180	620	510	140	60	180	360	230	270
SD 3344	200	700	570	160	65	200	400	260	290
SD 3348	220	740	610	170	65	210	420	270	300
SD 3352	240	820	680	190	70	240	475	300	330
SD 3356	260	860	710	200	85	250	500	320	350
SD 3360	280	920	770	210	85	280	550	330	360
SD 3364	300	940	790	210	85	280	560	340	370
SD 3368	320	1020	860	230	100	310	615	370	400
SD 3372	340	1060	890	250	100	325	640	390	410
SD 3376	360	1080	900	260	100	340	665	390	410

SD 3300 Series

Plummer Blocks (Bearing Housings)
For Bearings with Adapter Sleeves

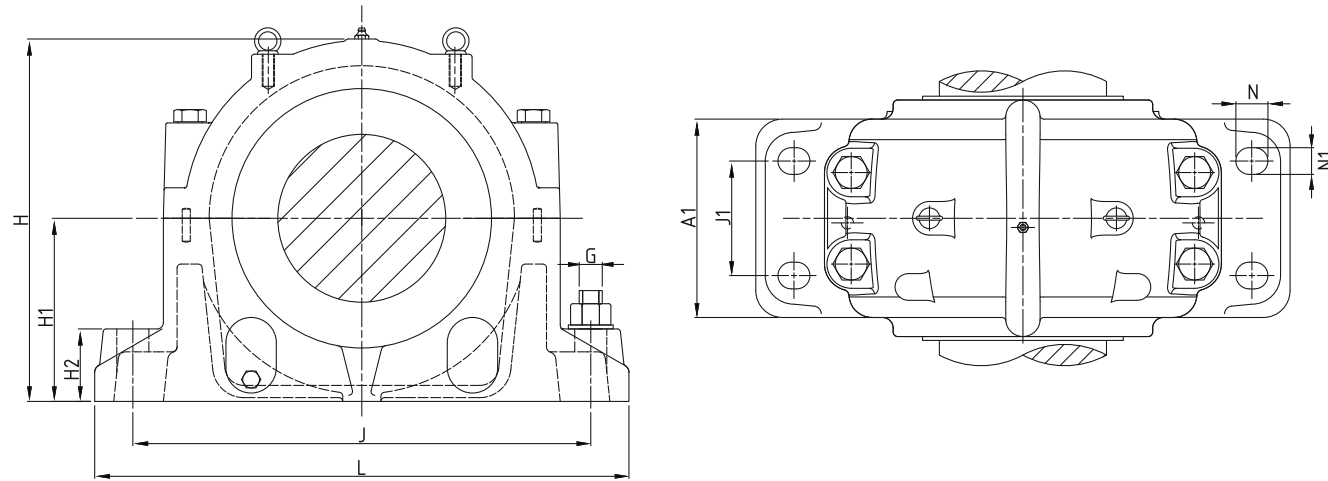


BF TYPE-Through Shaft, Located Bearing
BL TYPE-Through Shaft, Non-Located Bearing

Shaft dia d1	N	N1	G	Dimension in MM			Ca	D	Appropriate Bearing	Adapter Sleeve	Locating Ring Size 1No. per Housing
				A2	A3	A					
180	52	32	M 30	280	275	92	310	23040 CCK/W33	H 3040	10/310	
200	55	35	M 30	300	295	100	340	23044 CCK/W33	OH 3044 H	10/340	
220	55	35	M 30	310	305	102	360	23048 CCK/W33	OH 3048 H	10/360	
240	60	40	M 36	340	335	114	400	23052 CCK/W33	OH 3052 H	10/400	
260	62	42	M 36	360	355	116	420	23056 CCK/W33	OH 3056 H	10/420	
280	62	42	M 36	370	365	128	460	23060 CCK/W33	OH 3060 H	10/460	
300	62	42	M 36	380	375	131	480	23064 CCK/W33	OH 3064 H	10/480	
320	70	50	M 42	410	405	143	520	23068 CCK/W33	OH 3068 H	10/520	
340	70	50	M 42	420	415	144	540	23072 CCK/W33	OH 3072 H	10/540	
360	70	50	M 42	420	415	145	560	23076 CCK/W33	OH 3076 H	10/560	

SD 3100 Series

Plummer Blocks (Bearing Housings)
For Bearings with Adapter Sleeves

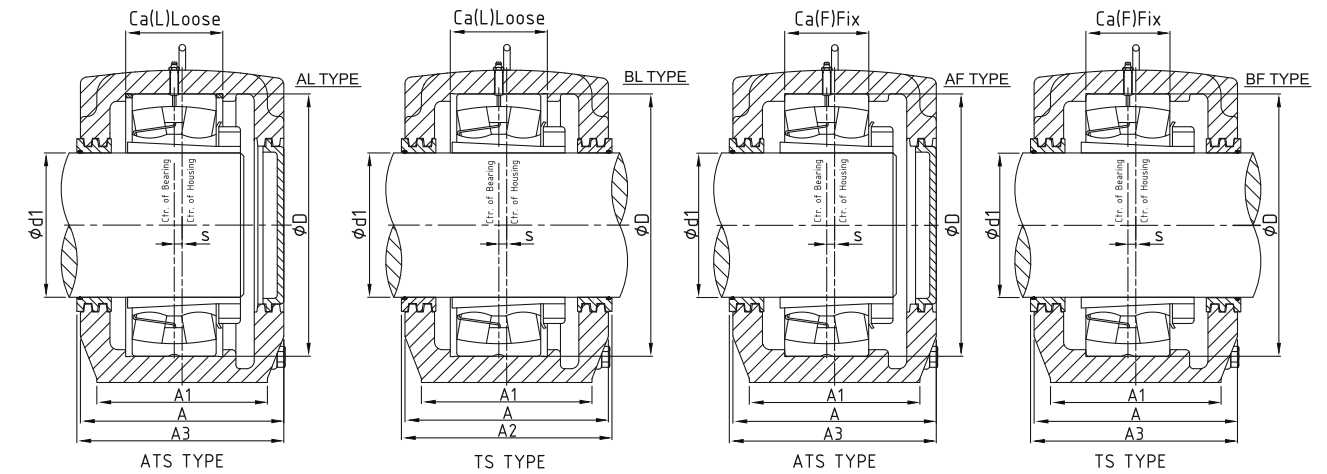


BF TYPE-Through Shaft, Located Bearing
BL TYPE-Through Shaft, Non-Located Bearing

Plummer Blocks Designation	Shaft dia d1	Dimension in MM						
		A	A1	A2	H	H1	H2	L
SD 3134	150	230	180	240	335	170	70	510
SD 3136	160	240	190	250	355	180	75	530
SD 3138	170	260	210	270	375	190	80	560
SD 3140	180	280	230	290	410	210	85	610
SD 3144	200	290	240	300	435	220	90	640
SD 3148	220	310	260	320	475	240	95	700
SD 3152	240	320	280	330	515	260	100	770
SD 3156	260	320	280	330	550	280	105	790
SD 3160	280	350	310	360	590	300	110	830
SD 3164	300	370	330	380	630	320	115	880
SD 3168	320	400	360	410	675	340	120	950

SD 3100 Series

Plummer Blocks (Bearing Housings)
For Bearings with Adapter Sleeves

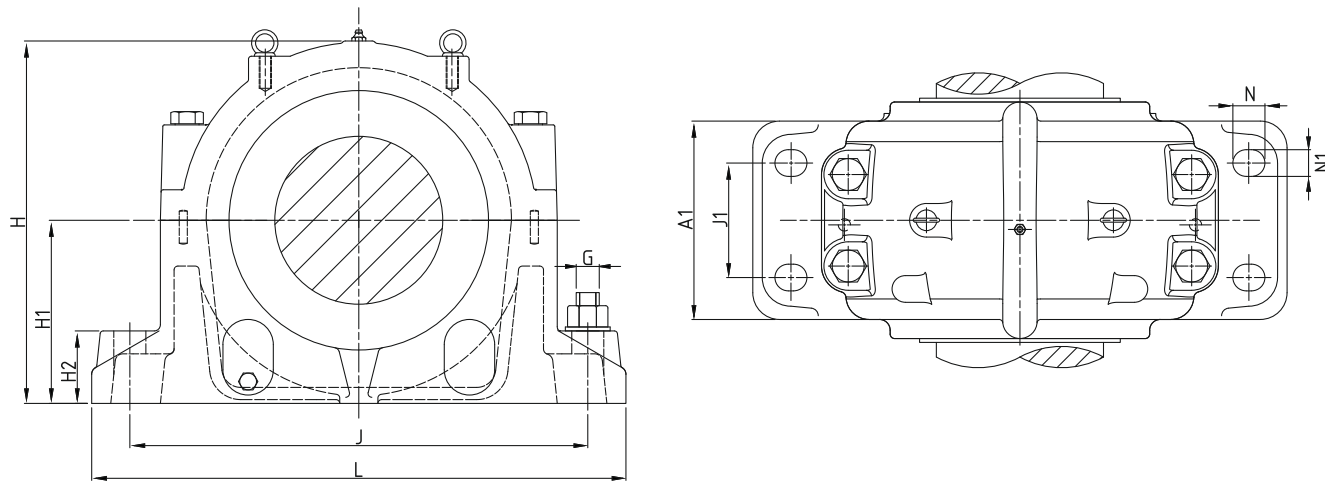


BF TYPE-Through Shaft, Located Bearing
BL TYPE-Through Shaft, Non-Located Bearing

Shaft dia d1	Dimension in MM						Bearing Seating		Appropriate Bearing	Adapter Sleeve	Locating Ring Size 1No. per Housing	Approx Weight Kg
	J	J1	S	G	N	N1	Ca	D				
150	430	100	14	M 24	36	30	108	280	23134 CCK/W33	H 3134	FRB 10/280	70
160	450	110	15	M 24	36	30	116	300	23136 CCK/W33	H 3136	FRB 10/300	78
170	480	120	10	M 24	36	30	124	320	23138 CCK/W33	H 3138	FRB 10/320	95
180	510	130	10	M 30	42	36	132	340	23140 CCK/W33	H 3140	FRB 10/340	120
200	540	140	12	M 30	42	36	140	370	23144 CCK/W33	OH 3144 H	FRB 10/370	135
220	600	150	12	M 30	42	36	148	400	23148 CCK/W33	OH 3148 H	FRB 10/400	175
240	650	160	13	M 36	52	42	164	440	23152 CCK/W33	OH 3152 H	FRB 10/440	210
260	670	160	16	M 36	52	42	166	460	23156 CCK/W33	OH 3156 H	FRB 10/460	240
280	710	190	22	M 36	52	42	180	500	23160 CCK/W33	OH 3160 H	FRB 10/500	290
300	750	200	23	M 36	52	42	196	540	23164 CCK/W33	OH 3164 H	FRB 10/540	330
320	810	220	24	M 36	52	42	210	580	23168 CCK/W33	OH 3168 H	FRB 10/580	414

SD 3100 Series

Plummer Blocks (Bearing Housings)
For Bearings with Adapter Sleeves

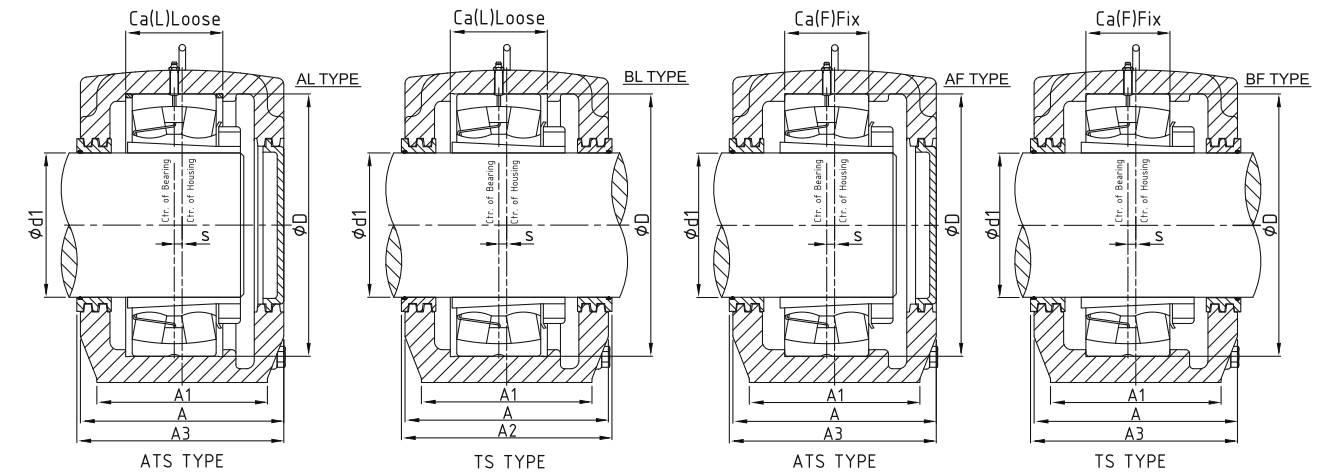


BF TYPE-Through Shaft, Located Bearing
BL TYPE-Through Shaft, Non-Located Bearing

Plummer Blocks Designation	Shaft dia d1	Dimension in MM						
		A	A1	A2	H	H1	H2	L
SD 3172	340	400	360	410	695	350	120	1000
SD 3176	360	400	360	410	715	360	120	1040
SD 3180	380	430	390	440	755	380	125	1120
SD 3184	400	460	420	470	810	410	130	1170
SD 3188	410	460	430	470	835	420	135	1220
SD 3192	430	470	440	480	875	440	145	1280
SD 3196	450	470	440	480	920	460	155	1330

SD 3100 Series

Plummer Blocks (Bearing Housings)
For Bearings with Adapter Sleeves

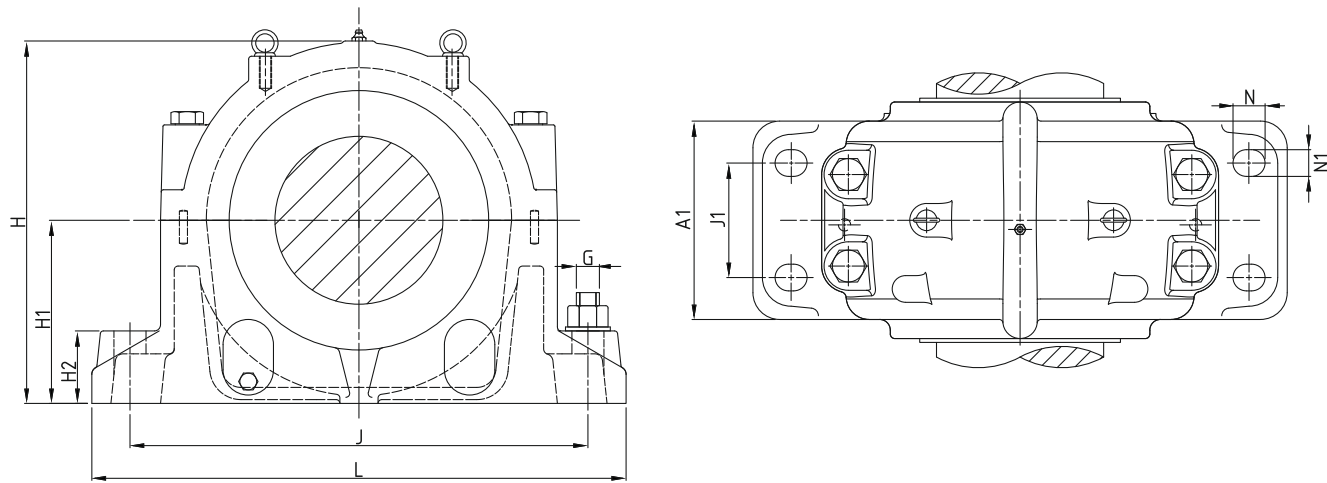


BF TYPE-Through Shaft, Located Bearing
BL TYPE-Through Shaft, Non-Located Bearing

Shaft dia d1	Dimension in MM						Bearing Seating Ca		D	Appropriate Bearing	Adapter Sleeve	Approx Weight Kg
	J	J1	S	G	N	N1	F- Fix	L- Loose				
340	840	220	30	M 36	52	42	192	212	600	23172 CCK/W33	OH 3172 H	460
360	870	220	30	M 36	52	42	194	214	620	23176 CCK/W33	OH 3176 H	480
380	950	240	30	M 42	60	48	200	220	650	23180 CCK/W33	OH 3180 H	592
400	1000	260	35	M 42	60	48	224	244	700	23184 CCK/W33	OH 3184 H	710
410	1030	260	35	M 42	60	48	226	246	720	23188 CCK/W33	OH 3188 H	750
410	1170	260	35	M 42	60	48	240	260	760	23192 CCK/W33	OH 3192 H	820
450	1110	260	35	M 48	70	56	248	268	790	23196 CCK/W33	OH 3196 H	945

SD 3000 Series

Plummer Blocks (Bearing Housings)
For Bearings with Adapter Sleeves

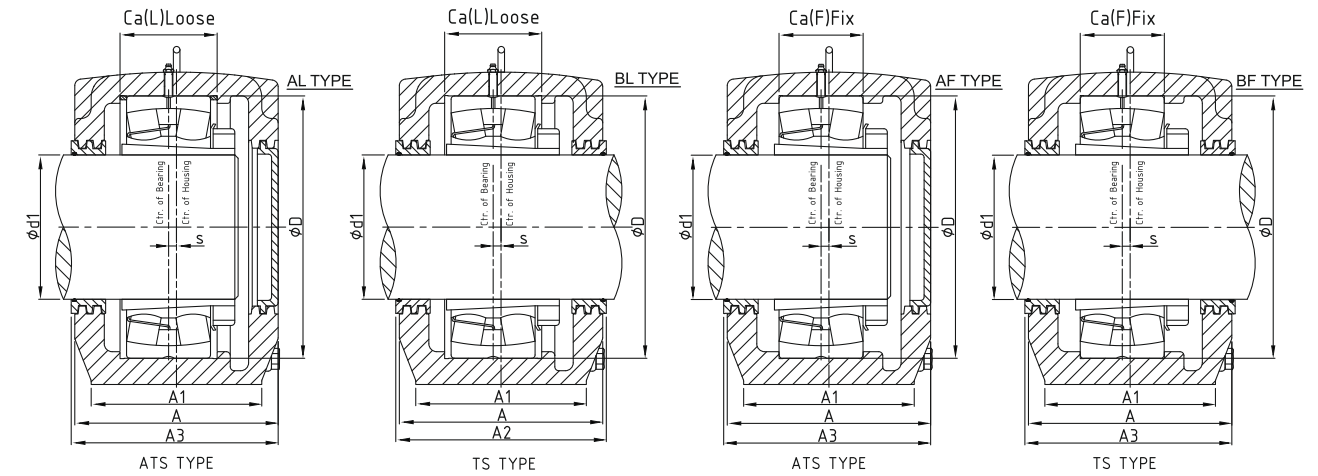


BF TYPE-Through Shaft, Located Bearing
BL TYPE-Through Shaft, Non-Located Bearing

Plummer Blocks Designation	Shaft dia d1	Dimension in MM					
		A	A1	A2	H	H1	H2
SD 3034	150	230	180	240	323	170	70
SD 3036	160	230	180	240	333	170	70
SD 3038	170	240	190	250	355	180	75
SD 3040	180	260	210	270	375	190	80
SD 3044	200	280	230	290	411	210	85
SD 3048	220	290	240	300	434	220	90
SD 3052	240	310	260	320	475	240	95
SD 3056	260	320	280	330	515	260	100
SD 3060	280	320	280	330	550	280	105
SD 3064	300	350	310	360	590	300	110
SD 3068	320	370	330	380	630	320	115
SD 3072	340	370	330	380	630	320	115
SD 3076	360	390	350	400	670	340	120
SD 3080	380	410	350	420	720	365	145

SD 3000 Series

Plummer Blocks (Bearing Housings)
For Bearings with Adapter Sleeves

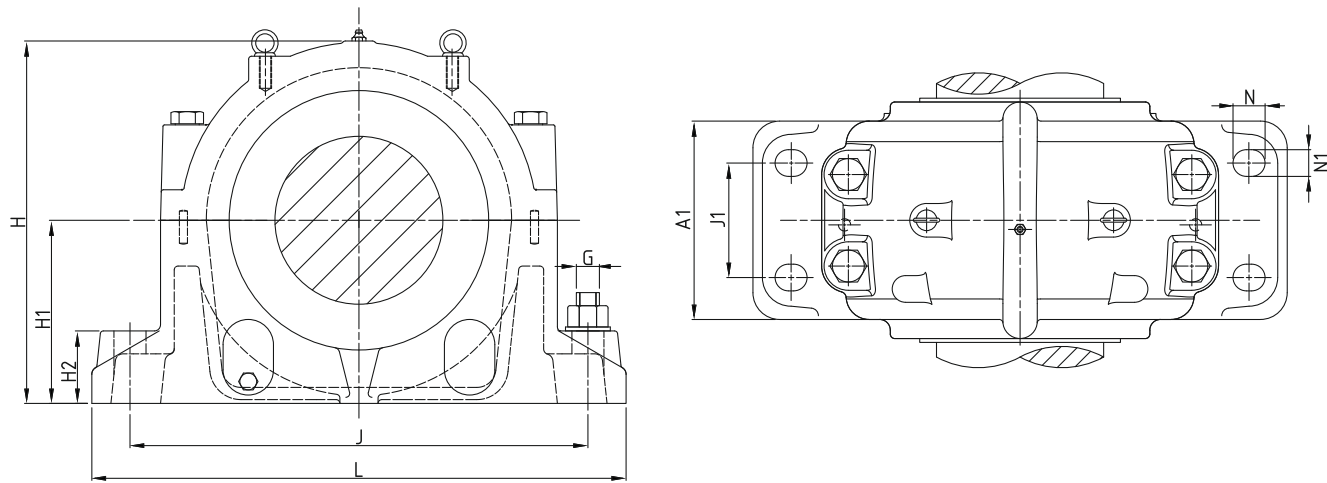


BF TYPE-Through Shaft, Located Bearing
BL TYPE-Through Shaft, Non-Located Bearing

Shaft dia d1	Dimension in MM								Appropriate Bearing	Adapter Sleeve	Locating Ring Size 1No. per Housing	Approx Weight Kg	
	L	J	J1	S	G	N	N1	Ca					D
150	510	430	100	14	M-24	34	28	87	260	23034 CCK	H 3034	10/260	54
160	510	430	100	14	M-24	34	28	94	280	23036 CCK	H 3036	10/280	64
170	530	450	110	15	M-24	34	28	95	290	23038 CCK	H 3038	10/290	70
180	560	480	120	10	M-24	34	28	102	310	23040 CCK	H 3040	10/310	82
200	610	510	130	10	M-30	42	35	110	340	23044 CCK	OH 3044 H	10/340	108
220	640	540	140	12	M-30	42	35	112	360	23048 CCK	OH 3048 H	10/360	122
240	700	600	150	12	M-30	42	35	124	400	23052 CCK	OH 3052 H	10/400	168
260	770	650	160	13	M-36	50	42	126	420	23056 CCK	OH 3056 H	10/420	202
280	790	670	160	16	M-36	50	42	138	460	23060 CCK	OH 3060 H	10/460	251
300	830	710	190	22	M-36	50	42	141	480	23064 CCK	OH 3064 H	10/480	289
320	880	750	200	23	M-36	50	42	153	520	23068 CCK	OH 3068 H	10/520	315
340	880	750	200	23	M-36	50	42	154	540	23072 CCK	OH 3072 H	10/540	415
360	930	790	210	25	M-36	50	42	155	560	23076 CCK	OH 3076 H	10/560	430
380	980	840	210	12	M-36	50	42	168	600	23080 CCK	OH 3080 H	10/600	460

SD 3000 Series

Plummer Blocks (Bearing Housings)
For Bearings with Adapter Sleeves

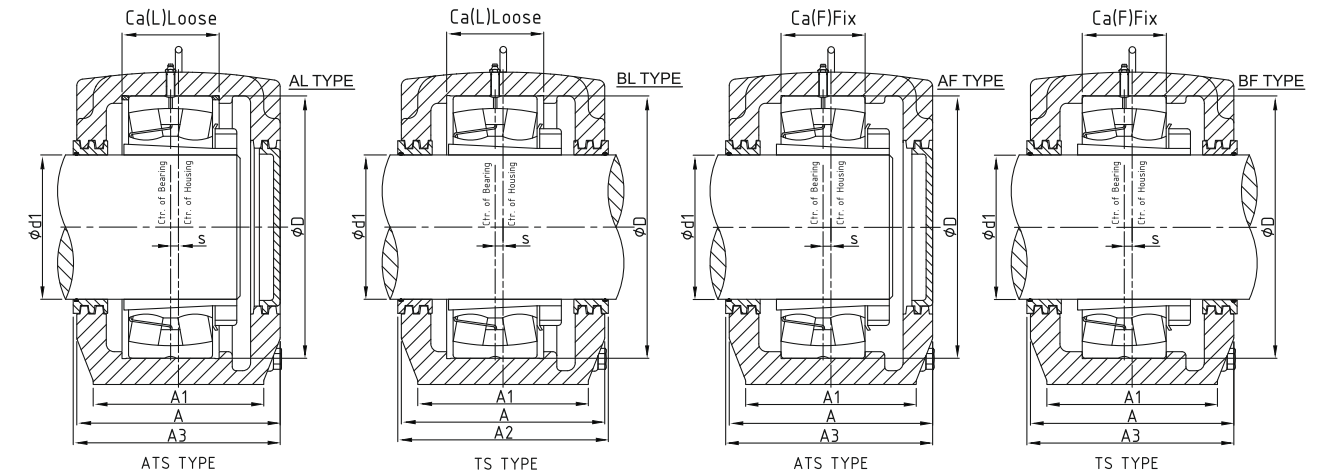


BF TYPE-Through Shaft, Located Bearing
BL TYPE-Through Shaft, Non-Located Bearing

Plummer Blocks Designation	Shaft dia d1	Dimension in MM						
		A	A1	A2	H	H1	H2	L
SD 3084	400	400	360	410	715	360	120	1040
SD 3088	410	430	390	440	755	380	125	1120
SD 3092	430	460	420	470	810	410	130	1170
SD 3096	450	460	420	470	810	410	130	1170

SD 3000 Series

Plummer Blocks (Bearing Housings)
For Bearings with Adapter Sleeves

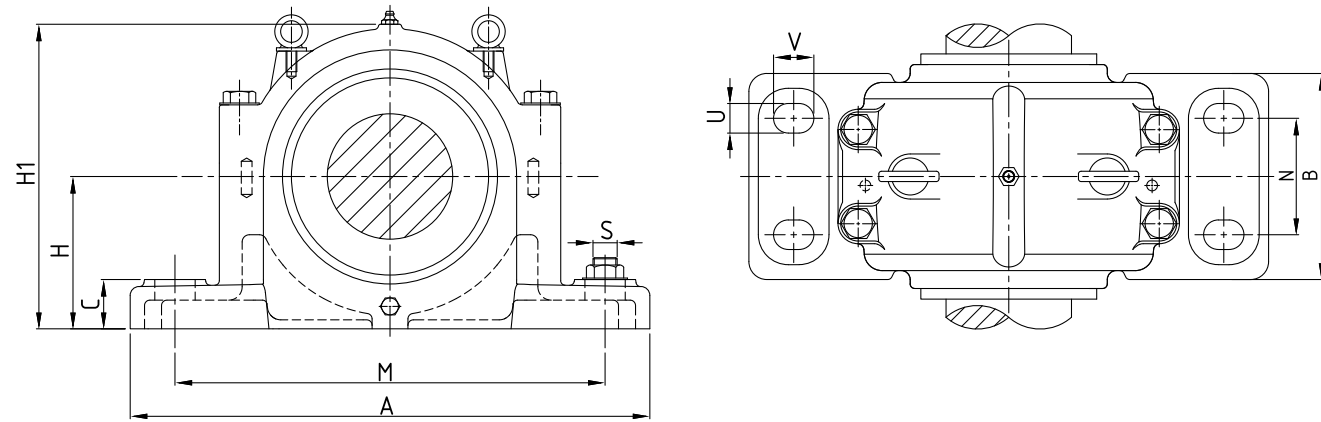


BF TYPE-Through Shaft, Located Bearing
BL TYPE-Through Shaft, Non-Located Bearing

Shaft dia d1	Dimension in MM						Bearing Seating Ca		D	Appropriate Bearing	Adapter Sleeve	Approx Weight Kg
	J	J1	S	G	N	N1	F- Fix	L- Loose				
400	870	220	30	M 36	52	42	150	194	620	23084 CCK/W33	OH 3084 H	480
410	950	240	30	M 42	60	48	157	200	650	23088 CCK/W33	OH 3088 H	592
430	1000	260	35	M 42	60	48	163	224	680	23092 CAK/W33	OH 3092 H	720
450	1000	260	35	M 42	60	48	165	224	700	23096 CCK/W33	OH 3096 H	720

SD 500 Series

Plummer Blocks (Bearing Housings)
For Bearings with Adapter Sleeves

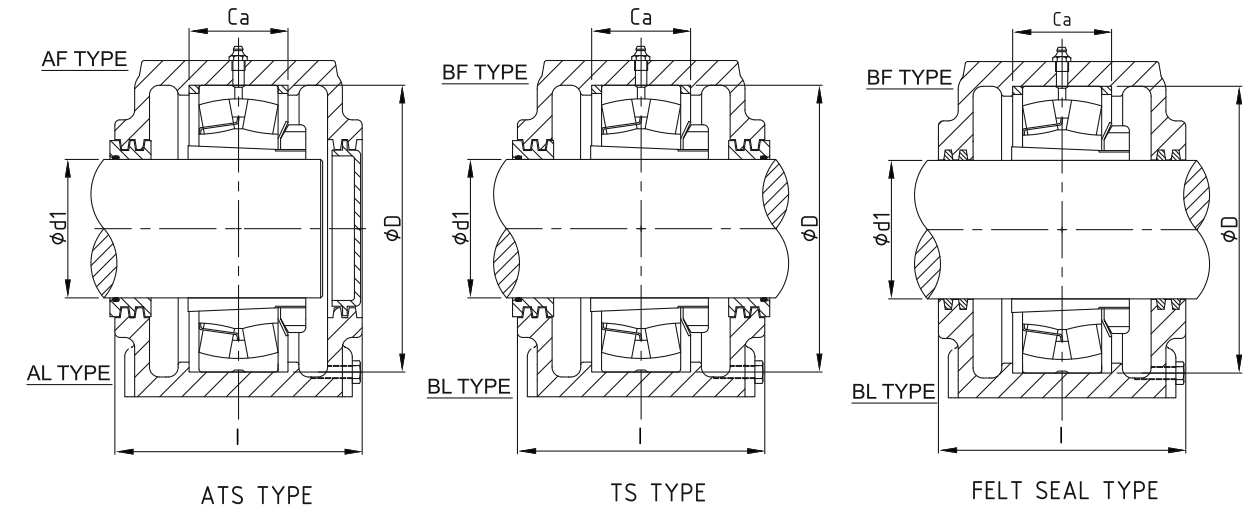


BF TYPE-Through Shaft, Located Bearing
BL TYPE-Through Shaft, Non-Located Bearing

Housing No.	Bearing with Adapter Sleeve No.	d1	Dimension in MM					
			A	B	C	I	H	H1
SD 530	22230 CK + H 3130	135	550	220	55	240	160	320
SD 532	22232 CK + H 3132	140	580	230	55	250	170	340
SD 534	22234 CK + H 3134	150	620	250	60	270	180	360
SD 536	22236 CK + H 3136	160	650	260	60	280	190	380
SD 538	22238 CK + H 3138	170	700	280	65	290	200	400
SD 540	22240 CK + H 3140	180	740	290	65	300	210	420
SD 544	22244 CK + H 3144	200	820	320	70	330	240	475
SD 548	22248 CK + H 3148	220	880	330	85	340	260	515
SD 552	22252 CK + H 3152	240	940	360	85	370	280	555
SD 556	22256 CK + H 3156	260	990	380	100	390	300	590
SD 560	22260 CK + H 3160	280	1060	400	100	410	325	640

SD 500 Series

Plummer Blocks (Bearing Housings)
For Bearings with Adapter Sleeves

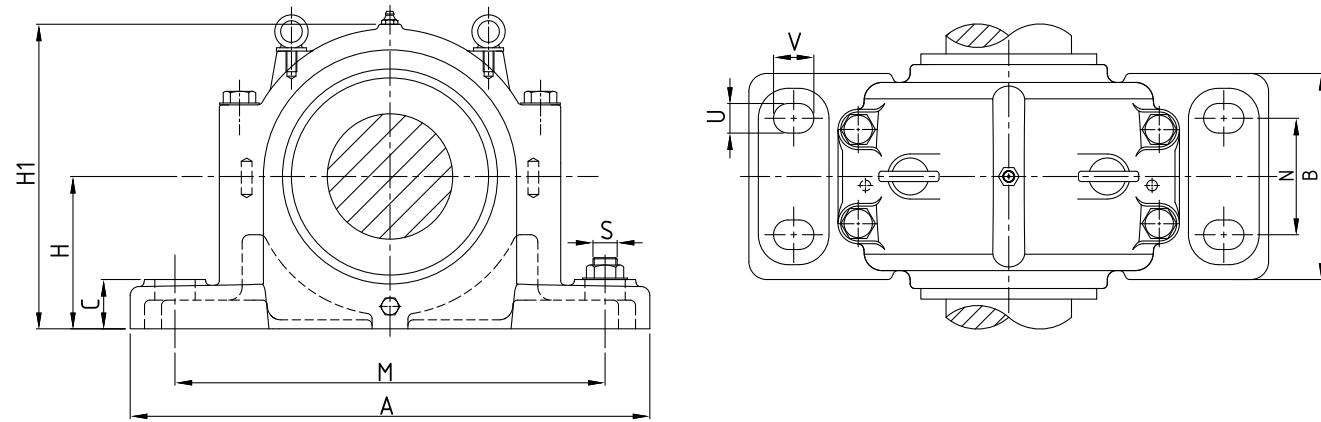


BF TYPE-Through Shaft, Located Bearing
BL TYPE-Through Shaft, Non-Located Bearing

d1	Dimension in MM						Locating Ring Size/Two Nos. Per Housing	Total Bearing Width Ca
	M	N	V	U	S	D		
135	450	120	45	33	M 27	270	10/270	93
140	480	130	45	33	M 27	290	10/290	100
150	510	140	50	36	M 30	310	10/310	106
160	540	150	50	36	M 30	320	10/320	106
170	570	160	55	40	M 33	340	10/340	112
180	610	170	55	40	M 33	360	10/360	118
200	680	190	62	42	M 36	400	10/400	128
220	740	200	65	45	M 39	440	10/440	140
240	790	210	65	45	M 39	480	10/480	150
260	830	230	77	52	M 45	500	10/500	150
280	890	250	77	52	M 45	540	10/540	160

SD 600 Series

Plummer Blocks (Bearing Housings)
For Bearings with Adapter Sleeves

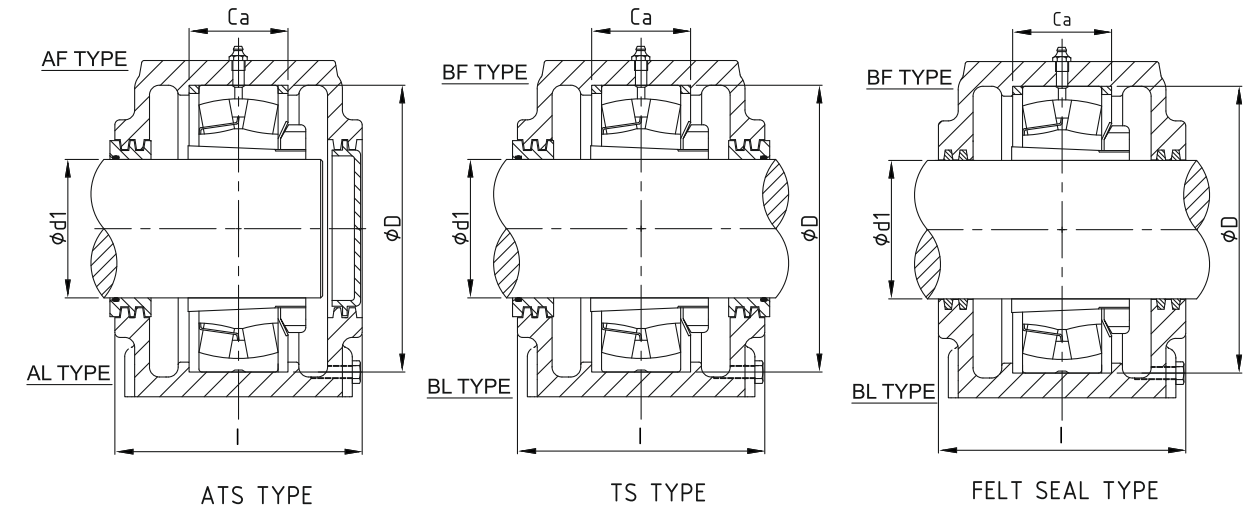


BF TYPE-Through Shaft, Located Bearing
BL TYPE-Through Shaft, Non-Located Bearing

Housing No.	Bearing with Adapter Sleeve No.	d1	Dimension in MM					
			A	B	C	I	H	H1
SD 628	22328 CK + H 2328	125	580	230	55	250	170	340
SD 630	22330 CK + H 2330	135	650	260	60	280	190	380
SD 632	22332 CK + H 2332	140	700	280	65	290	200	400
SD 634	22334 CK + H 2334	150	740	290	65	300	210	420
SD 636	22336 CK + H 2336	160	780	310	70	320	225	450
SD 638	22338 CK + H 2338	170	820	320	70	330	240	475
SD 640	22340CK + H 2340	180	860	340	85	350	250	500
SD 644	22344 CK + H 2344	200	920	350	85	360	280	550
SD 648	22348 CK + H 2348	220	990	380	100	390	300	590
SD 652	22352 CK + H 2352	240	1060	400	100	410	325	640

SD 600 Series

Plummer Blocks (Bearing Housings)
For Bearings with Adapter Sleeves



BF TYPE-Through Shaft, Located Bearing
BL TYPE-Through Shaft, Non-Located Bearing

d1	Dimension in MM				S		D	Locating Ring Size/Two Nos. Per Housing	Total Bearing Width Ca
	M	N	V	U	mm	inch			
125	480	130	45	33	M 27	1-1/16	300	10/300	122
135	540	150	50	36	M 30	1-1/8	320	10/320	128
140	570	160	55	40	M 33	1-1/4	340	10/340	134
150	610	170	55	40	M 33	1-1/4	360	10/360	140
160	640	180	62	42	M 36	1-3/8	380	10/380	146
170	680	190	62	42	M 36	1-3/8	400	10/400	152
180	710	200	65	45	M 39	1-1/2	420	10/420	158
200	770	210	65	45	M 39	1-1/2	460	10/460	165
220	830	230	77	52	M 45	1-3/4	500	10/500	175
240	890	250	77	52	M 45	1-3/4	540	10/540	185