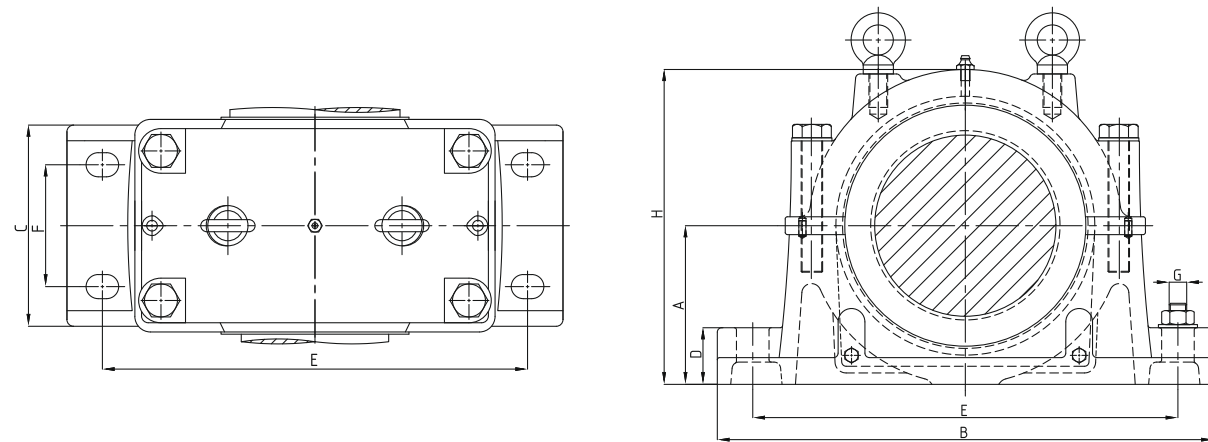


SDAF 200 SERIES

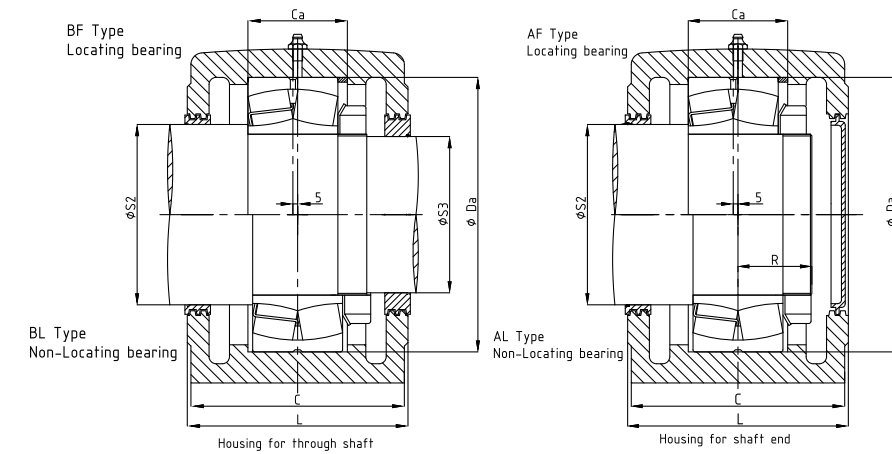
Plummer Blocks (Bearing Housings)
For Straight Cylindrical Bore Bearings



Plummer Block Housing Designation	Shaft Dia.		Bearing Designation	Dimensions										
	S-2 mm	S-3 mm		A mm	B mm	C mm	D mm	E mm	F mm	H mm	L mm	N mm	N1 mm	R mm
SDAF 220	114.3	96.84	22220 CC/W33	114.3	387.4	152.4	47.6	314.35	85.7	227	171.4	36	22	48.8
SDAF 222	123.82	106.36	22222 CC/W33	125.4	419.1	171.4	54	344.5	101.6	250.8	184.2	40	26	54
SDAF 224	134.94	115.89	22224 CC/W33	133.4	419.1	174.6	57.2	352.45	104.8	266.7	187.3	40	26	57.9
SDAF 226	149.22	125.41	22226 CC/W33	152.4	466.7	190.5	60.3	388.95	114.3	301.6	203.2	40	28	62.7
SDAF 228	158.75	134.93	22228 CC/W33	152.4	511.7	190.5	60.3	420.6	144.3	306.3	182.5	40	28	66.3
SDAF 230	168.28	146.05	22230 CC/W33	160.3	539.8	200	63.5	447.7	120.6	319.1	212.7	65	35	70.2
SDAF 232	177.8	153.99	22232 CC/W33	169.9	558.8	209.6	63.5	465.15	127	341.3	222.2	65	35	75.4
SDAF 234	188.91	163.51	22234 CC/W33	179.4	628.6	228.6	63.5	520.7	139.7	362	244.5	65	35	79.4
SDAF 236	198.44	174.62	22236 CC/W33	190.5	679.4	238.1	69.8	565.15	149.2	385.8	254	65	35	79.8
SDAF 238	212.72	184.15	22238 CC/W33	200	701.7	254	76.2	571.5	158.8	406.4	269.9	65	35	83.7
SDAF 240	222.25	193.68	22240 CC/W33	209.6	703.2	266.7	82.6	609.6	171.4	428.6	282.6	70	42	88.9
SDAF 244	242.89	211.14	22244 CC/W33	241.3	812.8	285.8	88.9	679.45	184.2	482.6	301.6	70	42	92.1

SDAF 200 SERIES

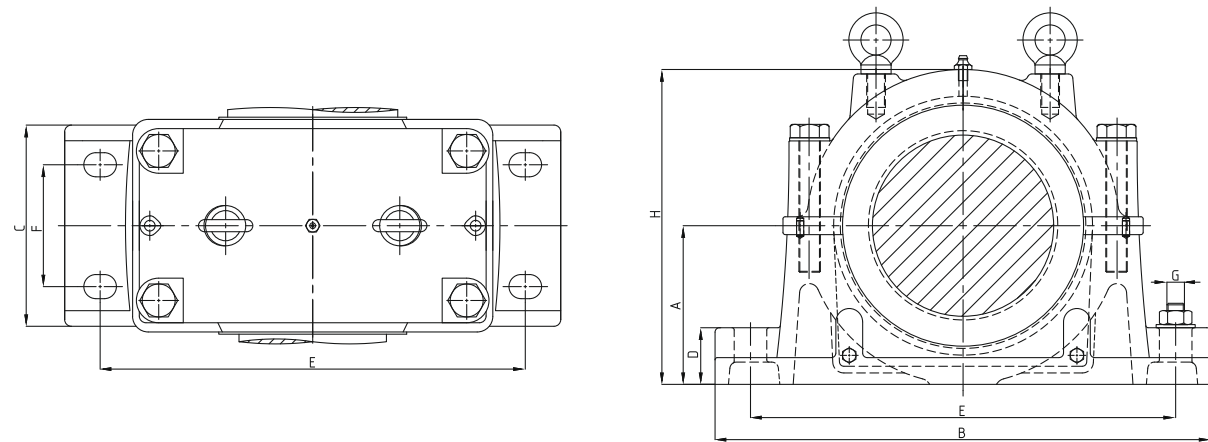
Plummer Blocks (Bearing Housings)
For Straight Cylindrical Bore Bearings



Shaft Dia.		Foundation Bolts (No. Required)		Bearing Seat Width		Approx Weight	Stabilizing Ring	
S-2 mm	S-3 mm	G mm	Inch	Ca mm	Da mm		Size	Nos.
114.3	96.84	(4)-M20	(4)-3/4	56	180	34.5	10/180	1
123.82	106.36	(4)-M24	(4)-7/8	63	200	45.5	10/200	1
134.94	115.89	(4)-M24	(4)-7/8	68	215	54.5	10/215	1
149.22	125.41	(4)-M24	(4)-1	74	230	72.5	10/230	1
158.75	134.93	(4)-M24	(4)-1	78	250	79.5	10/250	1
168.28	146.05	(4)-M30	(4)-1 1/8	83	270	90.5	10/270	1
177.8	153.99	(4)-M30	(4)-1 1/8	90	290	115	10/290	1
188.91	163.51	(4)-M30	(4)-1 1/4	96	310	140	10/310	1
198.44	174.62	(4)-M30	(4)-1 1/4	96	320	165	10/320	1
212.72	184.15	(4)-M30	(4)-1 1/8	102	340	185	10/340	1
222.25	193.68	(4)-M36	(4)-1 3/8	108	360	220	10/360	1
242.89	211.14	(4)-M36	(4)-1 1/2	128	400	290	10/400	2

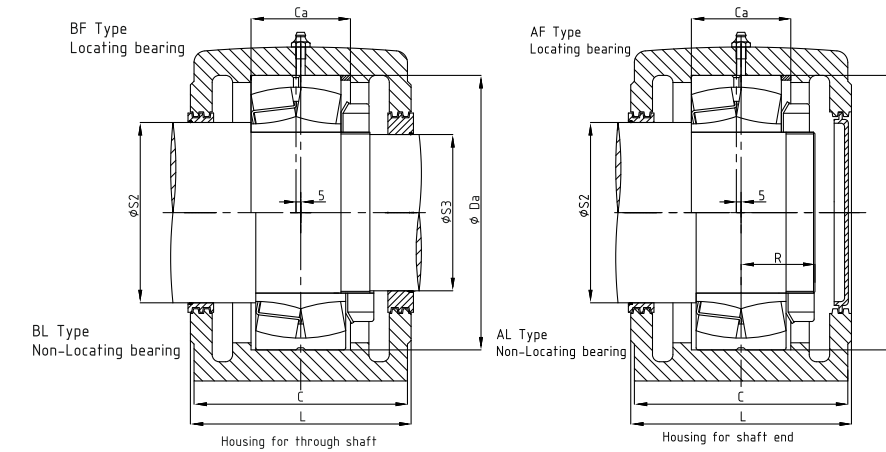
SDAF 300 SERIES

Plummer Blocks (Bearing Housings)
For Straight Cylindrical Bore Bearings



SDAF 300 SERIES

Plummer Blocks (Bearing Housings)
For Straight Cylindrical Bore Bearings

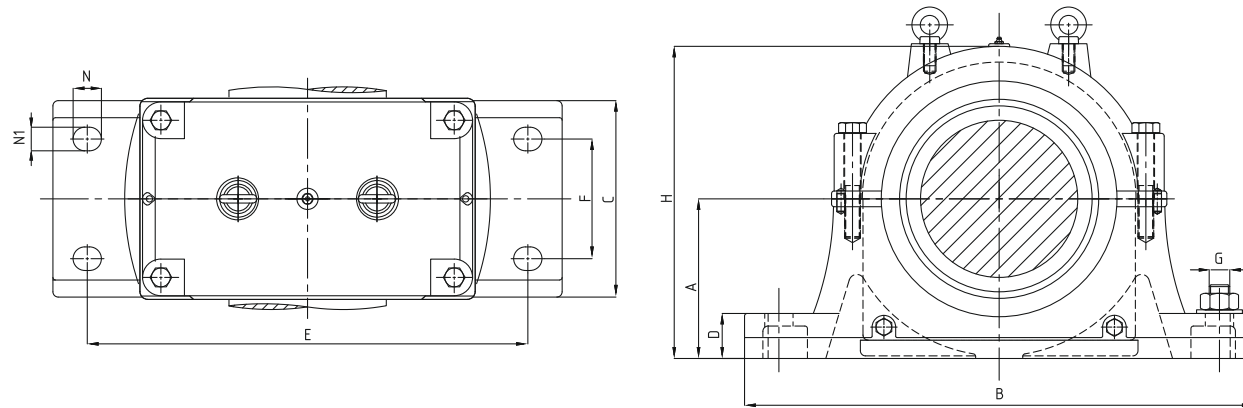


Plummer Block Housing Designation	Shaft Dia.		Bearing Designation	Dimensions										
	S-2 mm	S-3 mm		A mm	B mm	C mm	D mm	E mm	F mm	H mm	L mm	N mm	N1 mm	R mm
SDAF 316	92.08	76.2	22316 CC/W33	108	362	139.7	44.4	295.3	82.6	209.6	161.9	45	22	49.2
SDAF 317	100.01	80.96	22317 CC/W33	114.3	387.4	152.4	47.6	314.35	85.7	227	171.4	45	22	52.4
SDAF 318	104.78	85.72	22318 CC/W33	120.6	393.7	155.6	50.8	323.85	92.1	239.7	174.6	45	26	55.6
SDAF 320	114.3	96.84	22320 CC/W33	133.4	419.1	174.6	57.2	352.45	104.8	266.7	187.3	45	26	61.9
SDAF 322	123.82	106.36	22322 CC/W33	152.4	466.7	190.5	60.3	388.95	114.3	301.6	203.2	46	28	66.7
SDAF 324	134.94	115.89	22324 CC/W33	160.3	539.8	200	63.5	447.7	120.6	319.1	212.7	65	35	71.4
SDAF 326	149.22	125.41	22326 CC/W33	169.9	558.8	209.6	63.5	465.15	127	341.3	222.2	65	35	76.2
SDAF 328	158.75	134.94	22328 CC/W33	179.4	628.8	228.6	63.5	520.7	139.7	362	238.1	65	35	82.6
SDAF 330	168.28	146.05	22330 CC/W33	190.5	679.4	238.1	69.8	565.15	149.2	385.8	247.6	65	35	87.3
SDAF 332	177.8	153.99	22332 CC/W33	200	701.7	254	76.2	571.5	158.8	406.4	269.9	65	35	92.1
SDAF 334	188.91	163.51	22334 CC/W33	209.6	730.2	266.7	82.6	609.6	171.4	428.6	282.6	70	42	95.2
SDAF 336	198.44	174.62	22336 CC/W33	225.4	774.7	273	82.6	641.35	174.6	455.6	288.9	70	42	98.4
SDAF 338	212.72	184.15	22338 CC/W33	241.3	812.8	285.8	88.9	679.45	184.2	482.6	301.6	80	42	103.2
SDAF 340	222.25	193.68	22340 CC/W33	250.8	850.9	298.4	88.9	709.65	193.7	501.6	314.3	80	42	108

Shaft Dia.		Foundation Bolts (No. Required)		Bearing Seat Width		Approx Weight	Stabilizing Ring	
S-2 mm	S-3 mm	mm	G Inch	Ca mm	Da mm	Kg	Size	Nos.
92.08	76.2	(4)-M20	(4)-5/8	68	170	31	10/170	1
100.01	80.96	(4)-M20	(4)-5/8	70	180	37.5	10/180	1
104.78	85.72	(4)-M24	(4)-3/4	74	190	44.5	10/190	1
114.3	96.84	(4)-M24	(4)-3/4	83	215	59	10/215	1
123.82	106.36	(4)-M24	(4)-1	90	240	77	10/240	1
134.94	115.89	(4)-M30	(4)-1 1/8	96	260	95.5	10/260	1
149.22	125.41	(4)-M30	(4)-1 1/8	103	280	120	10/280	1
158.75	134.94	(4)-M30	(4)-1 1/8	112	300	145	10/300	1
168.28	146.05	(4)-M30	(4)-1 1/4	118	320	175	10/320	1
177.8	153.99	(4)-M30	(4)-1 1/4	124	340	200	10/340	1
188.91	163.51	(4)-M36	(4)-1 3/8	130	360	230	10/360	1
198.44	174.62	(4)-M36	(4)-1 3/8	136	380	275	10/380	1
212.72	184.15	(4)-M40	(4)-1 1/2	142	400	315	10/400	1
222.25	193.68	(4)-M40	(4)-1 5/8	148	420	350	10/420	1

SDAF 500 SERIES

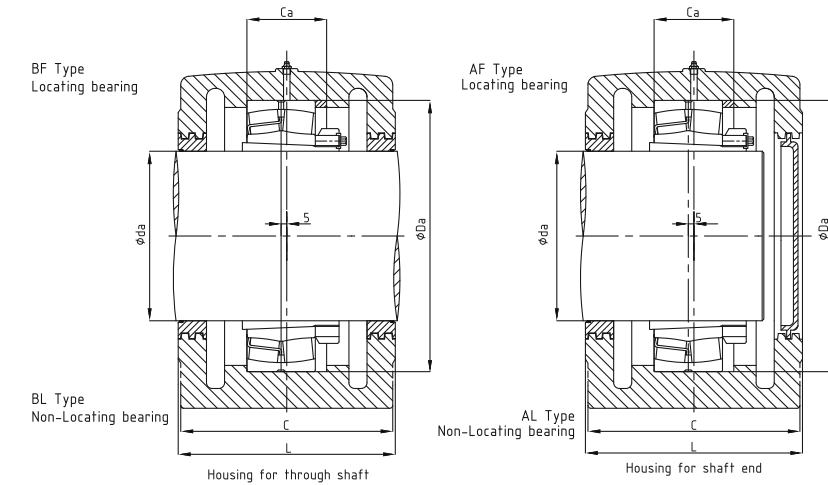
Plummer Blocks (Bearing Housings)
For Bearings with Adapter Sleeves



Plummer Block Housing Designation	Shaft Dia. da mm	Bearing Designation	Dimensions										
			A mm	B mm	C mm	D mm	E mm	F mm	H mm	L mm	N mm	N1 mm	R mm
SDAF 520	87.31	22220 CCK/W33	114.3	387.4	152.4	47.6	314.35	85.7	227	171.4	36	22	48.8
SDAF 522	100.01	22222 CCK/W33	125.4	419.1	171.4	54	344.5	101.6	250.8	184.2	40	26	54
SDAF 524	106.36	22224 CCK/W33	133.4	419.1	174.6	57.2	352.45	104.8	266.7	187.3	40	26	57.9
SDAF 526	112.71	22226 CCK/W33	152.4	466.7	190.5	60.3	388.95	114.3	301.6	203.2	40	28	62.7
SDAF 528	125.41	22228 CCK/W33	152.4	511.17	190.5	60.3	420.6	114.3	301.6	203.2	40	28	66.3
SDAF 530	131.76	22230 CCK/W33	160.3	539.8	200	63.5	447.7	120.7	319.1	212.7	65	35	70.2
SDAF 532	138.11	22232 CCK/W33	169.9	558.8	209.6	63.5	465.15	127	341.3	222.2	65	35	75.4
SDAF 534	150.81	22234 CCK/W33	179.4	628.6	228.6	63.5	520.7	139.7	362	244.5	65	35	79.4
SDAF 536	163.51	22236 CCK/W33	190.5	679.4	238.1	69.8	565.15	149.2	385.8	254	65	35	79.8
SDAF 538	176.21	22238 CCK/W33	200	701.7	254	76.2	571.5	158.8	406.4	269.9	65	35	83.7
SDAF 540	182.56	22240 CCK/W33	209.6	730.2	266.7	82.6	609.6	171.4	428.6	282.6	70	42	88.9
SDAF 544	201.61	22244 CCK/W33	241.3	812.8	285.8	88.9	679.45	184.2	482.6	301.6	70	42	92.1

SDAF 500 SERIES

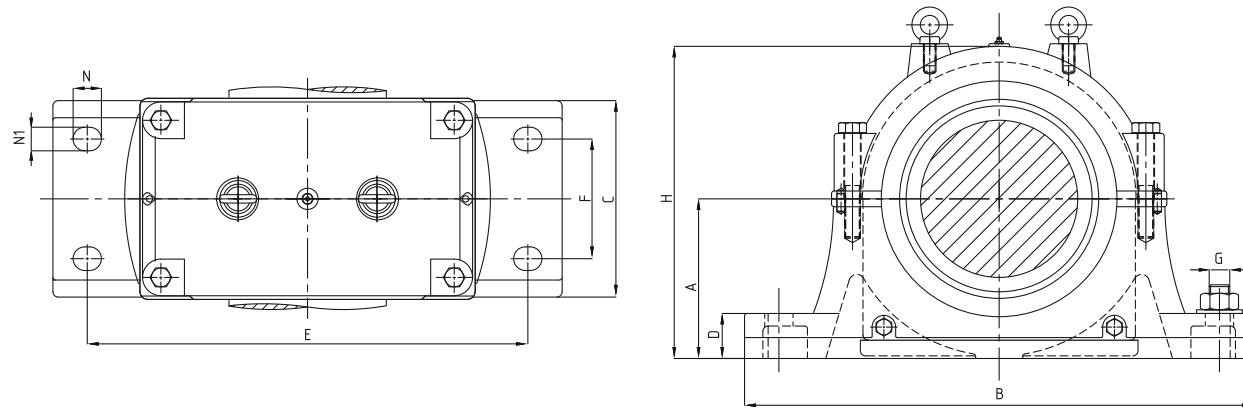
Plummer Blocks (Bearing Housings)
For Bearings with Adapter Sleeves



Shaft Dia. da mm	Foundation Bolts (No. Required)		Bearing Seat Width		Approx Weight Kg	Stabilizing Ring	
	G mm	Inch	Ca mm	Da mm		Size	Nos.
87.31	(4)-M20	(4)-3/4	56	180	36.5	10/180	1
100.01	(4)-M24	(4)-7/8	63	200	47.5	10/200	1
106.36	(4)-M24	(4)-7/8	68	215	56.5	10/215	1
112.71	(4)-M24	(4)-1	74	230	75	10/230	1
125.41	(4)-M24	(4)-1	78	250	85	10/250	1
131.76	(4)-M30	(4)-1 1/8	83	270	97.5	10/270	1
138.11	(4)-M30	(4)-1 1/8	90	290	120	10/290	1
150.81	(4)-M30	(4)-1 1/4	96	310	150	10/310	1
163.51	(4)-M30	(4)-1 1/4	96	320	170	10/320	1
176.21	(4)-M30	(4)-1 3/8	102	340	195	10/340	1
182.56	(4)-M36	(4)-1 3/8	108	360	230	10/360	1
201.61	(4)-M36	(4)-1 1/2	128	400	310	10/400	2

SDAF 600 SERIES

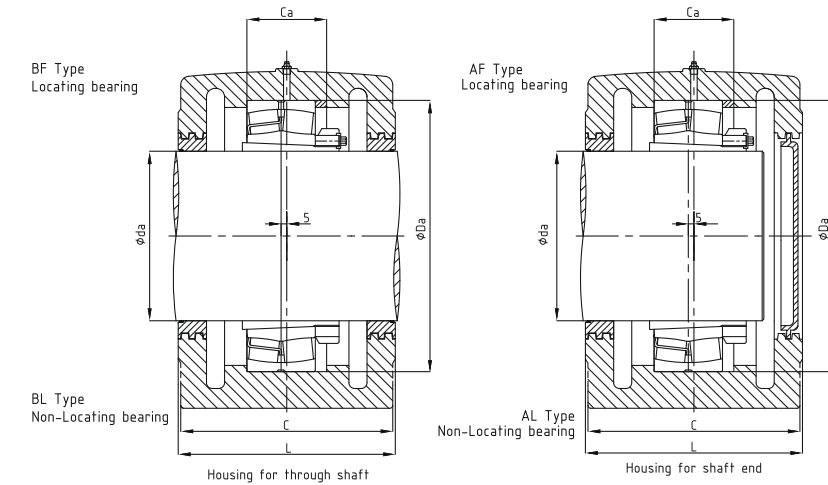
Plummer Blocks (Bearing Housings)
For Bearings with Adapter Sleeves



Plummer Block Housing Designation	Shaft Dia. da mm	Bearing Designation	Dimensions										
			A mm	B mm	C mm	D mm	E mm	F mm	H mm	L mm	N mm	N1 mm	R mm
SDAF 616	68.28	22316 CCK/W33	108	362	139.7	44.4	295.3	82.6	209.6	161.9	45	22	49.2
SDAF 617	74.61	22317 CCK/W33	114.3	387.4	152.4	47.6	314.35	85.7	227	171.4	45	22	52.4
SDAF 618	80.96	22318 CCK/W33	120.6	393.7	155.6	50.8	323.85	92.1	239.7	174.6	45	26	55.6
SDAF 620	87.31	22320 CCK/W33	133.4	419.1	174.6	57.2	352.45	104.8	266.7	187.3	45	26	61.9
SDAF 622	100.01	22322 CCK/W33	152.4	466.7	190.5	60.3	388.95	114.3	301.6	203.2	46	28	66.7
SDAF 624	106.36	22324 CCK/W33	160.3	539.8	200	63.5	447.7	120.6	319.1	212.7	65	35	71.4
SDAF 626	112.71	22326 CCK/W33	169.9	558.8	209.6	63.5	465.15	127	341.3	222.2	65	35	76.2
SDAF 628	125.41	22328 CCK/W33	179.4	628.6	228.6	63.5	520.7	139.7	362	238.1	65	35	82.6
SDAF 630	131.76	22330 CCK/W33	190.5	679.4	238.1	69.8	565.15	149.2	385.8	247.6	65	35	87.3
SDAF 632	138.11	22332 CCK/W33	200	701.7	254	76.2	571.5	158.8	406.4	269.9	65	35	92.1
SDAF 634	150.81	22334 CCK/W33	209.6	730.2	266.7	82.6	609.6	171.4	428.6	282.6	70	42	95.2
SDAF 636	163.51	22336 CCK/W33	225.4	774.7	273	82.6	641.35	174.6	455.6	288.9	70	42	100
SDAF 638	176.21	22338 CCK/W33	241.3	812.8	285.8	88.9	679.45	184.2	482.6	301.6	80	42	103.2
SDAF 640	182.56	22340 CCK/W33	250.8	850.9	298.4	88.9	709.65	193.7	501.6	314.3	80	42	108

SDAF 600 SERIES

Plummer Blocks (Bearing Housings)
For Bearings with Adapter Sleeves



Shaft Dia. da mm	Foundation Bolts (No. Required) G		Bearing Seat Width		Approx Weight Kg	Stabilizing Ring Size	Ring Nos.
	mm	Inch	Ca mm	Da mm			
68.28	(4)-M20	(4)-5/8	68	170	32	10/170	1
74.61	(4)-M20	(4)-3/4	70	180	38	10/180	1
80.96	(4)-M24	(4)-3/4	74	190	45.5	10/190	1
87.31	(4)-M24	(4)-7/8	83	215	59	10/215	1
100.01	(4)-M24	(4)-1	90	240	81.5	10/240	1
106.36	(4)-M30	(4)-1 1/8	96	260	97.5	10/260	1
112.71	(4)-M30	(4)-1 1/8	103	280	120	10/280	1
125.41	(4)-M30	(4)-1 1/4	112	300	150	10/300	1
131.76	(4)-M30	(4)-1 1/4	118	320	185	10/320	1
138.11	(4)-M30	(4)-1 3/8	124	340	205	10/340	1
150.81	(4)-M36	(4)-1 3/8	130	360	240	10/360	1
163.51	(4)-M36	(4)-1 1/2	136	380	285	10/380	1
176.21	(4)-M40	(4)-1 1/2	142	400	320	10/400	1
182.56	(4)-M40	(4)-1 5/8	148	420	365	10/420	1