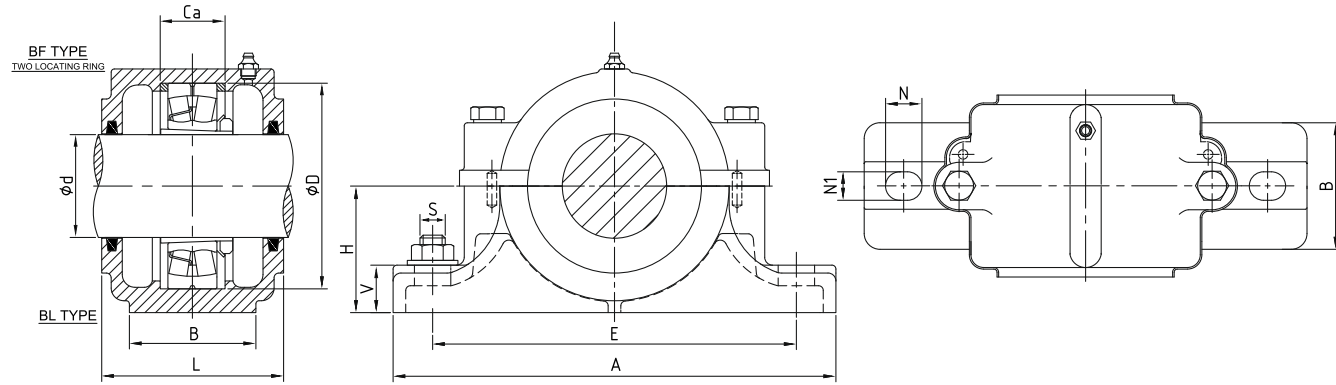


SN 500 SERIES

Plummer Blocks (Bearing Housings)
For Bearings with Adapter Sleeves

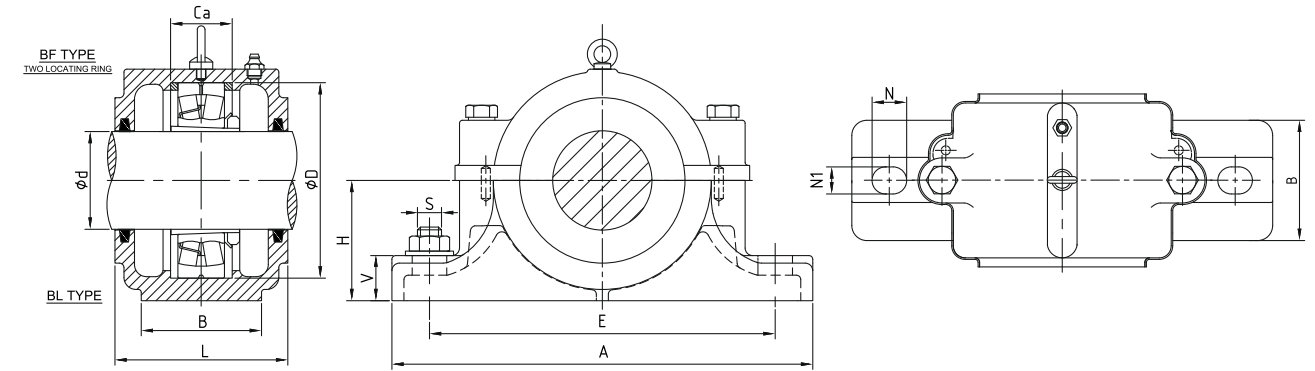


BF TYPE-Through Shaft, Located Bearing | Plummer Block SN-524 and above are
BL TYPE-Through Shaft, Non-Located Bearing | Supplied with eye bolt on cap

Plummer Blocks Designation	Shaft Dia (d)		Dimension in MM											Approx Weight Kg	Bearing with Adapter Sleeve	Locating Rings		Felt Strip No.
	mm	inch	L	H	A	B	E	V	S	Ca	N	N1	D			Size Width/Dia	Nos per Hsg.	
SN 505	20	3/4	67	40	165	46	130	19	12	25	20	15	52	1.12	1205 K + H 205 2205 K + H 305	5/52 7/52	2 1	FS 110
SN 506	25	1	77	50	185	52	150	22	12	30	20	15	62	1.63	1206 K + H 206 2206 K + H 306	7/62 10/62	2 1	FS 190
SN 507	30	1-1/8	82	50	185	52	150	22	12	33	20	15	72	1.93	1207 K + H 207 2207 K + H 307 22207 CK+ H 307	8/72 10/72 10/72	2 1 1	FS 190
SN 508	35	1-1/4	85	60	205	60	170	25	12	34	20	15	80	2.63	1208 K + H 208 2208 K + H 308 22208 CK+ H 308	8/80 11/80 11/80	2 1 1	FS 190
SN 509	40	1-1/2	85	60	205	60	170	25	12	31	20	15	85	2.85	1209 K + H 209 2209 K + H 309 22209 CK+ H 309	6/85 8/85 8/85	2 1 1	FS 190
SN 510	45	1-3/4	90	60	205	60	170	25	12	33	20	15	90	3	1210 K + H 210 2210 K + H 310 22210 CK+ H 310	6.5/90 10/90 10/90	2 1 1	FS 190
SN 511	50	2	95	70	255	70	210	28	16	33	23	18	100	4	1211 K + H 211 2211 K + H 311 22211 CK+ H 311	6/100 8/100 8/100	2 1 1	FS 260
SN 512	55	2-1/8	105	70	255	70	210	30	16	38	23	18	110	4.6	1212 K + H 212 2212 K + H 312 22212 CK+ H 312	8/110 10/110 10/110	2 1 1	FS 260
SN 513	60	2-1/4	110	80	275	80	230	30	16	43	23	18	120	5.95	1213 K + H 213 2213 K + H 313 22213 CK+ H 313	10/120 12/120 12/120	2 1 1	FS 260
SN 515	65	2-1/2	115	80	280	80	230	30	16	41	23	18	130	6.85	1215 K + H 215 2215 K + H 315 22215 CK+ H 315	8/130 10/130 10/130	2 1 1	FS 260
SN 516	70	2-3/4	120	95	315	90	260	32	20	43	27	22	140	8.45	1216 K + H 216 2216 K + H 316 22216 CK+ H 316	8.5/140 10/140 10/140	2 1 1	FS 330
SN 517	75	3	125	95	320	90	260	32	20	46	27	22	150	9.5	1217 K + H 217 2217 K + H 317 22217 CK+ H 317	9/150 10/150 10/150	2 1 1	FS 330

SN 500 SERIES

Plummer Blocks (Bearing Housings)
For Bearings with Adapter Sleeves

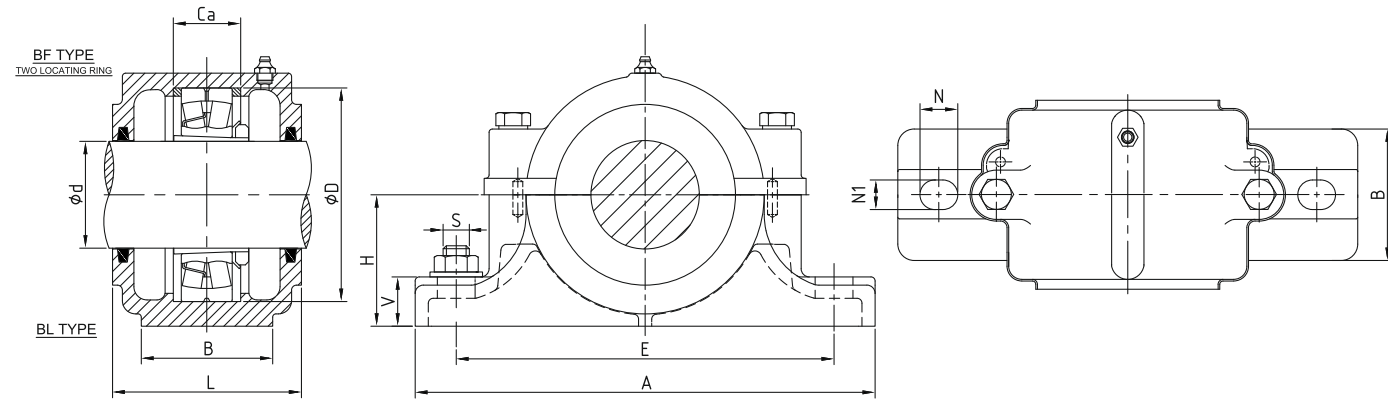


BF TYPE-Through Shaft, Located Bearing | Plummer Block SN-524 and above are
BL TYPE-Through Shaft, Non-Located Bearing | Supplied with eye bolt on cap

Plummer Blocks Designation	Shaft Dia (d)		Dimension in MM											Approx Weight Kg	Bearing with Adapter Sleeve	Locating Rings		Felt Strip No.
	mm	inch	L	H	A	B	E	V	S	Ca	N	N1	D			Size Width/Dia	Nos per Hsg.	
SN 518	80	3-1/4	145	100	345	100	290	35	20	62	27	22	160	12.3	1218 K + H 218 2218 K + H 318 22218 CK + H 318 23218 CK + H 2318	16/160 11/160 11/160 9.6/160	2 2 2 1	FS 330
SN 519	85	3-1/4	145	112	345	100	290	35	20	53	27	22	170	14.2	1219 K + H 219 2219 K + H 319 22219 CK + H 319	10.5/170 10/170 10/170	2 1 1	FS 330
SN 520	90	3-1/2	160	112	380	110	320	40	24	70	32	26	180	15.5	1220 K + H 220 2220 K + H 320 22220 CK + H 320 23220 CK + H 2320	18/180 12/180 12/180 9.7/180	2 2 2 1	FS 370
SN 522	100	4	175	125	410	120	350	45	24	80	32	26	200	20	1222 K + H 222 2222 K + H 322 22222 CK + H 322 23222 CK + H 2322	21/200 13.5/200 13.5/200 10/200	2 2 2 1	FS 460
SN 524	110	4-1/4	185	140	410	120	350	45	24	86	32	26	215	23	22224 CK + H 3124 23224 CK + H 2324	14/215 10/215	2 1	FS 460
SN 526	115	4-1/2	190	150	445	130	380	50	24	90	35	28	230	28.9	22226 CK + H 3126 23226 CK + H 2326	13/230 10/230	2 1	FS 460
SN 528	125	5	205	150	500	150	420	50	30	98	42	35	250	36.4	22228 CK + H 3128 23228 CK + H 2328	15/250 10/250	2 1	FS 510
SN 530	135	5-1/4	220	160	530	160	450	60	30	106	42	35	270	43.5	22230 CK + H 3130 23230 CK + H 2330	16.5/270 10/270	2 1	FS 510
SN 532	140	5-1/2	235	170	550	160	470	60	30	114	42	35	290	50.5	22232 CK + H 3132 23232 CK + H 2332	17/290 10/290	2 1	FS 680
SN 534	150	6	235	180	620	170	520	65	30	120	42	35	310	57	22234 CK + H 3134 23234 CK + H 2334	17/310 10/310	2 1	FS 680
SN 536	160	6-1/2	245	190	650	180	560	65	30	122	42	35	320	72	22236 CK + H 3136 23236 CK + H 2336	18/320 10/320	2 1	FS 680
SN 538	170	6-3/4	255	200	680	190	580	70	36	130	50	42	340	90	22238 CK + H 3138 23238 CK + H 2338	19/340 10/340	2 1	FS 680

SN 600 SERIES

Plummer Blocks (Bearing Housings)
For Bearings with Adapter Sleeves

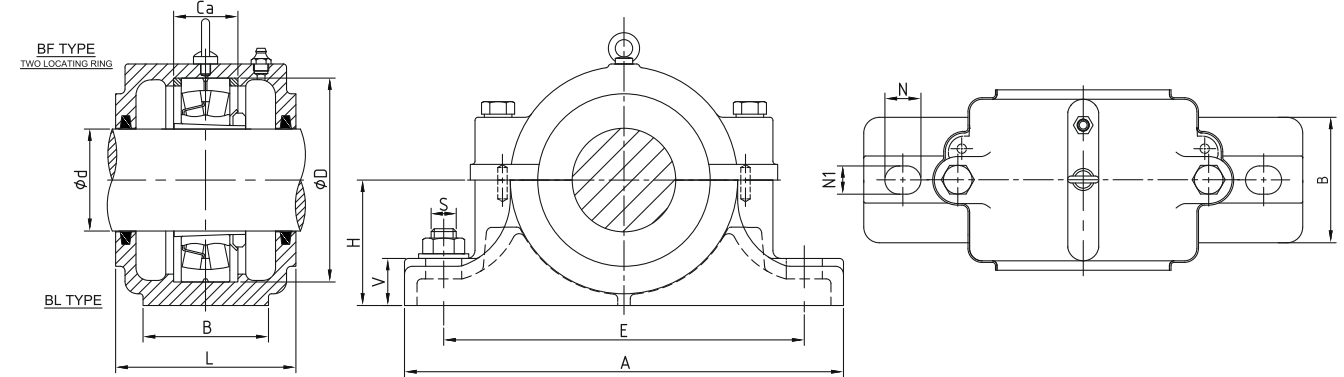


BF TYPE-Through Shaft, Located Bearing | Plummer Block SN-620 and above are
BL TYPE-Through Shaft, Non-Located Bearing | Supplied with eye bolt on cap

Plummer Blocks Designation	Shaft Dia (d)		Dimension in MM											Approx Weight Kg	Bearing with Adapter Sleeve	Locating Rings		Felt Strip No.
	mm	inch	L	H	A	B	E	V	S	Ca	N	N1	D			Size Width/Dia	Nos per Hsg.	
SN 605	20	3/4	80	50	185	52	150	22	12	34	20	15	62	1.12	1305 K + H 305 2305 K + H 2305	8.5/62 10/62	2 1	FS 110
SN 606	25	1	82	50	185	52	150	22	12	37	20	15	72	1.85	1306 K + H 306 2306 K + H 2306	9/72 10/72	2 1	FS 190
SN 607	30	1-1/8	90	60	205	60	170	25	12	41	20	15	80	2.8	1307 K + H 307 21307 K + H 307 2307 K + H 2307	10/80 10/80 10/80	2 2 1	FS 190
SN 608	35	1-1/4	95	60	205	60	170	25	12	43	20	15	90	3.15	1308 K + H 308 21308 K + H 308 2308 K + H 2308 22308 CK+ H 2308	10/90 10/90 10/90 10/90	2 2 1 1	FS 190
SN 609	40	1-1/2	105	70	255	70	210	28	16	46	23	18	100	4.3	1309 K + H 309 21309 K + H 309 2309 K + H 2309 22309 CK+ H 2309	10.5/100 10.5/100 10/100 10/100	2 2 1 1	FS 190
SN 610	45	1-3/4	115	70	255	70	210	30	16	50	23	18	110	4.9	1310 K + H 310 21310 K + H 310 2310 K + H 2310 22310CK+ H 2310	11.5/110 11.5/110 10/110 10/110	2 2 1 1	FS 190
SN 611	50	2	120	80	275	80	230	30	16	53	23	18	120	5.5	1311 K + H 311 21311 K + H 311 2311 K + H 2311 22311 CK+ H 2311	12/120 12/120 10/120 10/120	2 2 1 1	FS 260
SN 612	55	2-1/8	125	80	280	80	230	30	16	56	23	18	130	7.1	1312 K + H 312 21312 K + H 312 2312 K + H 2312 22312 CK+ H 2312	12.5/130 12.5/130 10/130 10/130	2 2 1 1	FS 260
SN 613	60	2-1/4	130	95	315	90	260	32	20	58	27	22	140	9.2	1313 K + H 313 21313 K + H 313 2313 K + H 2313 22313 CK+ H 2313	12.5/140 12.5/140 10/140 10/140	2 2 1 1	FS 260
SN 614	70		130	95	320	90	260	32	20	61	27	22	150	10.5	1314 K + H 314 21314 K + H 314 2314 K + H 2314 22314 CK+ H 2314	13/150 13/150 10/150 10/150	2 2 1 1	FS 260

SN 600 SERIES

Plummer Blocks (Bearing Housings)
For Bearings with Adapter Sleeves

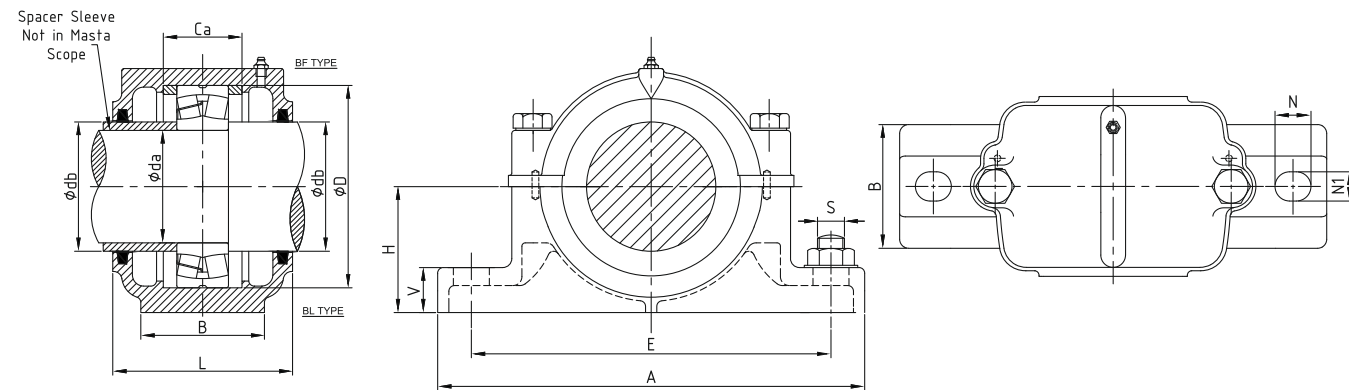


BF TYPE-Through Shaft, Located Bearing | Plummer Block SN-620 and above are
BL TYPE-Through Shaft, Non-Located Bearing | Supplied with eye bolt on cap

Plummer Blocks Designation	Shaft Dia d		Dimension in MM											Approx Weight Kg	Bearing with Adapter Sleeve	Locating Rings		Felt Strip No.
	mm	inch	L	H	A	B	E	V	S	Ca	N	N1	D			Size Width/Dia	Nos per Hsg.	
SN 615	65	2-1/2	140	100	345	100	290	35	20	65	27	22	160	11.65	1315 K + H 315 21315 K + H 315 2315K + H 2315 22315 CK + H 2315	14/160 14/160 10/160 10/160	2 2 1 1	FS 260
SN 616	70	2-3/4	145	112	345	100	290	35	20	68	27	22	170	12.9	1316 K + H 316 21316 K + H 316 2316 K + H 2316 22316 CK + H 2316	14.5/170 14.5/170 10/170 10/170	2 2 1 1	FS 330
SN 617	75	3	155	112	380	110	320	40	24	70	32	26	180	15.5	1317 K + H 317 21317 K + H 317 2317 K + H 2317 22317 CK+ H 2317	14.5/180 14.5/180 10/180 10/180	2 2 1 1	FS 330
SN 618	80	3-3/16	160	112	380	110	320	40	24	74	32	26	190	16.8	1318 K + H 318 21318 K + H 318 2318 K + H 2318 22318 CK+ H 2318	15.5/190 15.5/190 10/190 10/190	2 2 1 1	FS 330
SN 619	85	3-3/8	170	125	410	120	350	45	24	77	32	26	200	20.5	1319 K + H 319 21319 K + H 319 2319 K + H 2319 22319 CK+ H 2319	16/200 16/200 10/200 10/200	2 2 1 1	FS 330
SN 620	90	3-1/2	175	140	410	120	350	45	24	83	32	26	215	22.8	1320 K + H 320 21320 K + H 320 2320 K + H 2320 22320 CK+ H 2320	18/215 18/215 10/215 10/215	2 2 1 1	FS 370
SN 622	100	4	190	150	450	130	390	50	24	90	35	28	240	28.9	21322 K + H 322 22322 CK+ H 2322	20/240 10/240	2 1	FS 370
SN 624	110	4-1/4	200	160	530	160	450	60	30	96	42	35	260	35.8	20324 K+ H 3124 22324 CK+ H 2324	20.5/260 10/260	2 1	FS 460
SN 626	115	4-1/2	210	170	550	160	470	60	30	103	42	35	280	50.5	20326 K+ H 3126 22326 CK+ H 2326	22.5/280 10/280	2 1	FS 460
SN 628	125	5	235	180	620	170	520	65	30	112	42	35	300	81	20328 K+ H 3128 22328 CK+ H 2328	25/300 10/300	2 1	FS 510
SN 630	135	5-1/4	245	190	650	180	560	65	30	118	42	35	320	92	20330 K+ H 3130 22330 CK+ H 2330	26.5/320 10/320	2 1	FS 510
SN 632	140	5-1/2	255	200	680	190	580	70	36	124	50	42	340	100	20332 K+ H 3132 22332 CK+ H 2332	28/340 10/340	2 1	FS 680

SN 200 SERIES

Plummer Blocks (Bearing Housings)
For Bearings with Cylindrical Bore

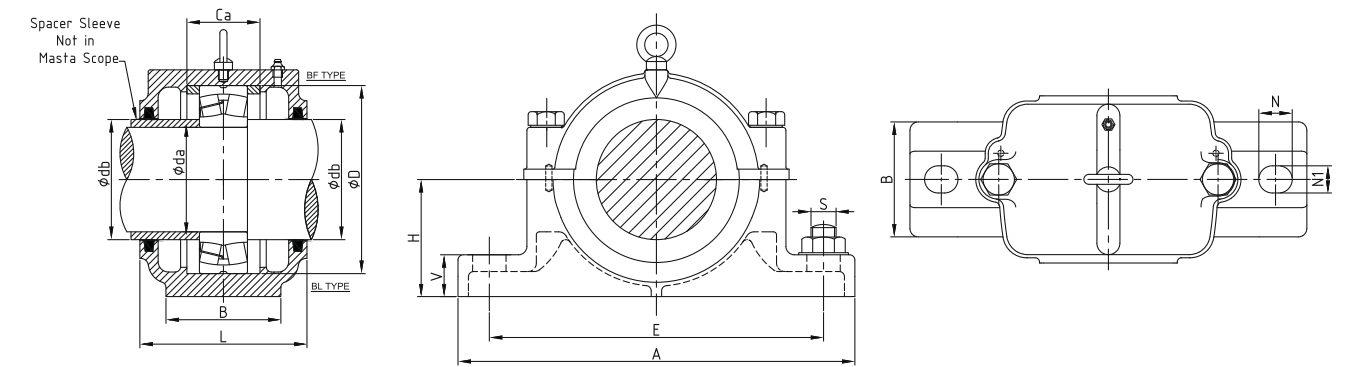


BF TYPE-Through Shaft, Located Bearing | Plummer Block SN-224 and above are
BL TYPE-Through Shaft, Non-Located Bearing | Supplied with eye bolt on cap

Plummer Blocks Designation	Shaft Dia		Dimension in MM										Approx Weight Kg	Bearing Number	Locating Rings		Felt Strip No.	
	da	db	L	H	A	B	E	V	S	Ca	N	N1			D	Size Width/Dia		Nos per Hsg.
SN 205	25	30	67	40	165	46	130	19	12	25	20	15	52	1.12	1205 E 2205 C	5/52 7/52	2 1	FS 190
SN 206	30	35	77	50	185	52	150	22	12	30	20	15	62	1.63	1206 C 2206 C	7/62 10/62	2 1	FS 190
SN 207	35	45	82	50	185	52	150	22	12	33	20	15	72	1.98	1207 E 2207 C 22207 C	8/72 10/72 10/72	2 1 1	FS 190
SN 208	40	50	85	60	205	60	170	25	12	34	20	15	80	2.63	1208 E 2208 C 22208 C	8/80 11/80 11/80	2 1 1	FS 260
SN 209	45	55	85	60	205	60	170	25	12	31	20	15	85	2.85	1209 E 2209 C 22209 C	6/85 8/85 8/85	2 1 1	FS 260
SN 210	50	60	90	60	205	60	170	25	12	33	20	15	90	3.1	1210 E 2210 C 22210 C	6.5/90 10/90 10/90	2 1 1	FS 260
SN 211	55	65	95	70	255	70	210	28	16	33	23	18	100	4	1211 E 2211 C 22211 C	6/100 8/100 8/100	2 1 1	FS 260
SN 212	60	70	105	70	255	70	210	30	16	38	23	18	110	4.6	1212 E 2212 C 22212 C	8/110 10/110 10/110	2 1 1	FS 330
SN 213	65	75	110	80	275	80	230	30	16	43	23	18	120	6	1213 E 2213 C 22213 C	10/120 12/120 12/120	2 1 1	FS 330
SN 215	75	85	115	80	280	80	230	30	16	41	23	18	130	6.85	1215 E 2215 C 22215 C	8/130 10/130 10/130	2 1 1	FS 330
SN 216	80	90	120	95	315	90	260	32	20	43	27	22	140	8.45	1216 E 2216 C 22216 C	8.5/140 10/140 10/140	2 1 1	FS 370
SN 217	85	95	125	95	320	90	260	32	20	46	27	22	150	9.35	1217 E 2217 C 22217 C	9/150 10/150 10/150	2 1 1	FS 370

SN 200 SERIES

Plummer Blocks (Bearing Housings)
For Bearings with Cylindrical Bore

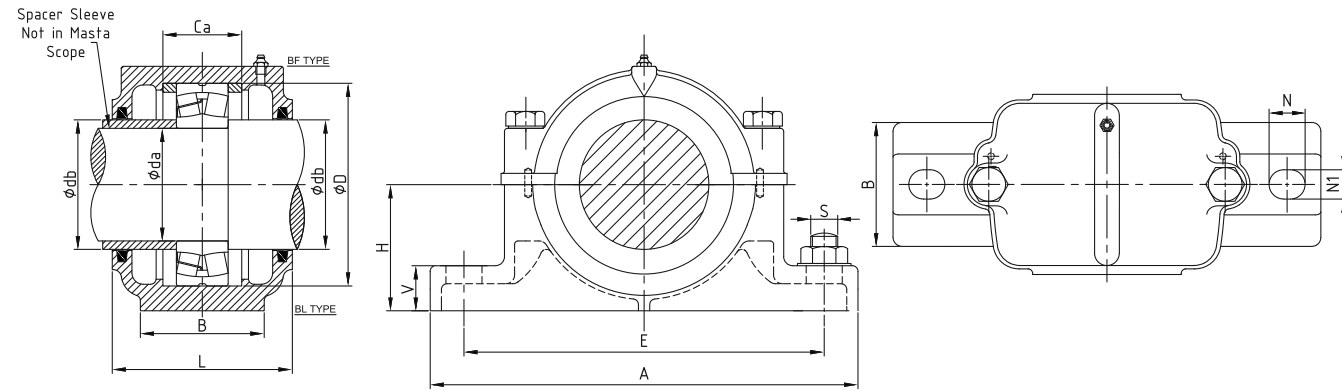


BF TYPE-Through Shaft, Located Bearing | Plummer Block SN-224 and above are
BL TYPE-Through Shaft, Non-Located Bearing | Supplied with eye bolt on cap

Plummer Blocks Designation	Shaft Dia		Dimension in MM										Approx Weight Kg	Bearing Number	Locating Rings		Felt Strip No.	
	da	db	L	H	A	B	E	V	S	Ca	N	N1			D	Size Width/Dia		Nos per Hsg.
SN 218	90	100	145	100	345	100	290	35	20	62	27	22	160	12.1	1218 E 2218 C 22218 C 23218 C	16/160 11/160 11/160 10/160	2 2 2 1	FS 460
SN 219	95	110	145	112	345	100	290	35	20	53	27	22	170	13.9	1219 E 2219 C 22219 C	10.5/170 10/170 10/170	2 1 1	FS 460
SN 220	100	115	160	112	380	110	320	40	24	70	32	26	180	15.5	1220 E 2220 C 22220 C 23220 C	18/180 12/180 12/180 9.7/180	2 2 2 1	FS 460
SN 222	110	125	175	125	410	120	350	45	24	80	32	26	200	20	1222 E 2222 C 22222 C 23222 C	21/200 13.5/200 13.5/200 10/200	2 2 2 1	FS 510
SN 224	120	135	185	140	410	120	350	45	24	86	32	26	215	22.8	22224 C 23224 C	14/215 10/215	2 1	FS 510
SN 226	130	145	190	150	445	130	380	50	24	90	35	28	230	28.9	22226 C 23226 C	13/230 10/230	2 1	FS 680
SN 228	140	155	205	150	500	150	420	50	30	98	42	35	250	36.4	22228 C 23228 C	15/250 10/250	2 1	FS 680
SN 230	150	165	220	160	530	160	450	60	30	106	42	35	270	43.5	22230 C 23230 C	16.5/270 10/270	2 1	FS 680
SN 232	160	175	235	170	550	160	470	60	30	114	42	35	290	50.5	22232 C 23232 C	17/290 10/290	2 1	FS 680
SN 234	170	185	235	180	620	170	520	65	30	120	42	35	310	81	22234 C 23234 C	17/310 10/310	2 1	FS 680
SN 236	180	195	245	190	650	180	560	65	30	122	42	35	320	92	22236 C 23236 C	18/320 10/320	2 1	FS 830
SN 238	190	205	255	200	680	190	580	70	36	130	50	42	340	100	22238 C 23238 C	19/340 10/340	2 1	FS 830

SN 300 SERIES

Plummer Blocks (Bearing Housings)
For Bearings with Cylindrical Bore

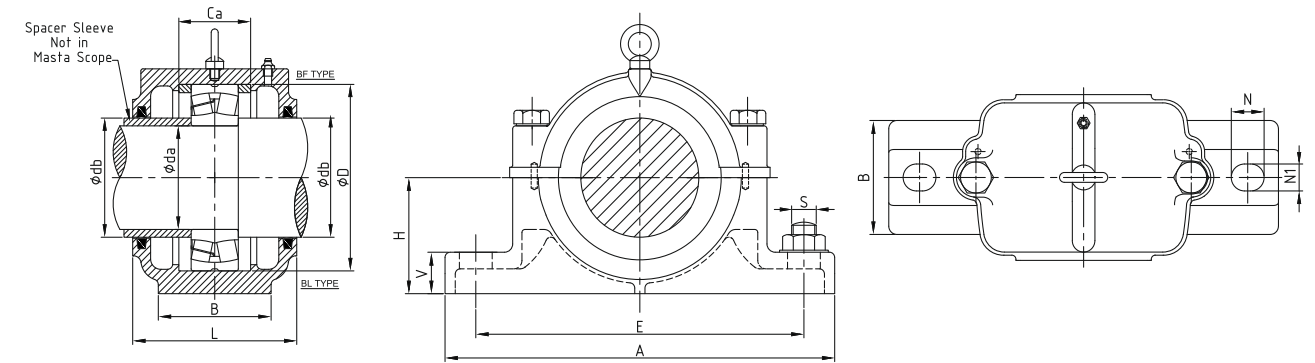


BF TYPE-Through Shaft, Located Bearing | Plummer Block SN-320 and above are
BL TYPE-Through Shaft, Non-Located Bearing | Supplied with eye bolt on cap

Plummer Blocks Designation	Shaft Dia		Dimension in MM											Approx Weight Kg	Bearing Number	Locating Rings Size Width/Dia	Nos per Hsg.	Felt Strip No.
	da	db	L	H	A	B	E	V	S	Ca	N	N1	D					
SN 305	25	30	80	50	185	52	150	22	12	34	20	15	6	1.63	1305 E 2305 C	8.5/62 10/62	2 1	FS 190
SN 306	30	35	82	50	185	52	150	22	12	37	20	15	72	1.85	1306 E 2306 C	9/72 10/72	2 1	FS 190
SN 307	35	45	90	60	205	60	170	25	12	41	20	15	80	2.65	1307 E 21307 C 2307 C	10/80 10/80 10/80	2 2 1	FS 190
SN 308	40	50	95	60	205	60	170	25	12	43	20	15	90	3	1308 E 21308 C 2308 C 22308 C	10/90 10/90 10/90 10/90	2 2 1 1	FS 260
SN 309	45	55	105	70	255	70	210	28	16	46	23	18	100	4.15	1309 E 21309 C 2309 C 22309 C	10.5/100 10.5/100 10/100 10/100	2 2 1 1	FS 260
SN 310	50	60	115	70	255	70	210	30	16	50	23	18	110	4.8	1310 E 21310 C 2310 C 22310 C	11.5/110 11.5/110 10/110 10/110	2 2 1 1	FS 260
SN 311	55	65	120	80	275	80	230	30	16	53	23	18	120	5.5	1311 E 21311 C 2311 C 22311 C	12/120 12/120 10/120 10/120	2 2 1 1	FS 260
SN 312	60	70	125	80	280	80	230	30	16	56	23	18	130	6.6	1312 E 21312 C 2312 C 22312 C	12.5/130 12.5/130 10/130 10/130	2 2 1 1	FS 330
SN 313	65	75	130	95	315	90	260	32	20	58	27	22	140	8.7	1313 E 21313 C 2313 C 22313 C	12.5/140 12.5/140 10/140 10/140	2 2 1 1	FS 330
SN 314	70	80	130	95	320	90	260	32	20	61	27	22	150	10	1314 E 21314 C 2314 C 22314 C	13/150 13/150 10/150 10/150	2 2 1 1	FS 330

SN 300 SERIES

Plummer Blocks (Bearing Housings)
For Bearings with Cylindrical Bore



BF TYPE-Through Shaft, Located Bearing | Plummer Block SN-320 and above are
BL TYPE-Through Shaft, Non-Located Bearing | Supplied with eye bolt on cap

Plummer Blocks Designation	Shaft Dia		Dimension in MM											Approx Weight Kg	Bearing Number	Locating Rings Size Width/Dia	Nos per Hsg.	Felt Strip No.
	da	db	L	H	A	B	E	V	S	Ca	N	N1	D					
SN 315	75	85	140	100	345	100	290	35	20	65	27	22	160	11.65	1315 E 21315 C 2315 C 22315 C	14/160 14/160 10/160 10/160	2 2 1 1	FS 330
SN 316	80	90	145	112	345	100	290	35	20	68	27	22	170	12.5	1316 E 21316 C 2316 C 22316 C	14.5/170 14.5/170 10/170 10/170	2 2 1 1	FS 370
SN 317	85	95	155	112	380	110	320	40	24	70	32	26	180	15	1317 E 21317 C 2317 C 22317 C	14.5/180 14.5/180 10/180 10/180	2 2 1 1	FS 370
SN 318	90	105	160	112	380	110	320	40	24	74	32	26	190	16.8	1318 E 21318 C 2318 C 22318 C	15.5/190 15.5/190 10/190 10/190	2 2 1 1	FS 460
SN 319	95	110	170	125	410	120	350	45	24	77	32	26	200	20.5	1319 E 21319 C 2319 C 22319 C	16/200 16/200 10/200 10/200	2 2 1 1	FS 460
SN 320	100	115	175	140	410	120	350	45	24	83	32	26	215	22.8	1320 E 21320 C 2320 C 22320 C	18/215 18/215 10/215 10/215	2 2 1 1	FS 460
SN 322	110	125	190	150	450	130	390	50	24	90	35	28	240	28.9	21322 C 22322 C	20/240 10/240	2 1	FS 510
SN 324	120	135	200	160	530	160	450	60	30	96	42	35	260	35.8	20324 C 22324 C	20.5/260 10/260	2 1	FS 510
SN 326	130	150	210	170	550	160	470	60	30	103	42	35	280	50.5	20326 C 22326 C	22.5/280 10/280	2 1	FS 680
SN 328	140	160	235	180	620	170	520	65	30	112	42	35	300	81	20328 C 22328 C	25/300 10/300	2 1	FS 680
SN 330	150	170	245	190	650	180	560	65	30	118	42	35	320	92	20330 C 22330 C	26.5/320 10/320	2 1	FS 680
SN 332	160	180	255	200	680	190	580	70	36	124	50	42	340	100	20332 C 22332 C	28/340 10/340	2 1	FS 680