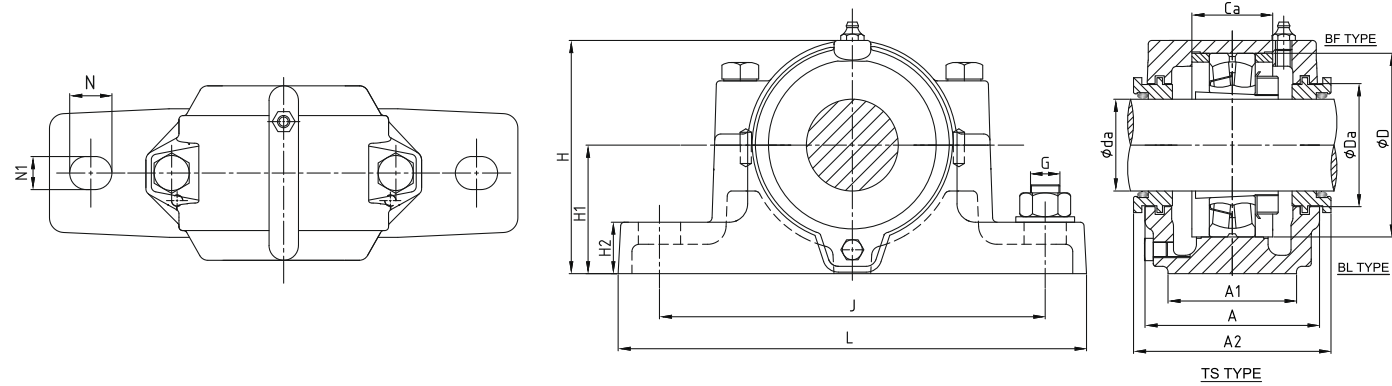


SNA 500 & 600 SERIES

Plummer Blocks (Bearing Housings)
For Bearings with Adapter Sleeves



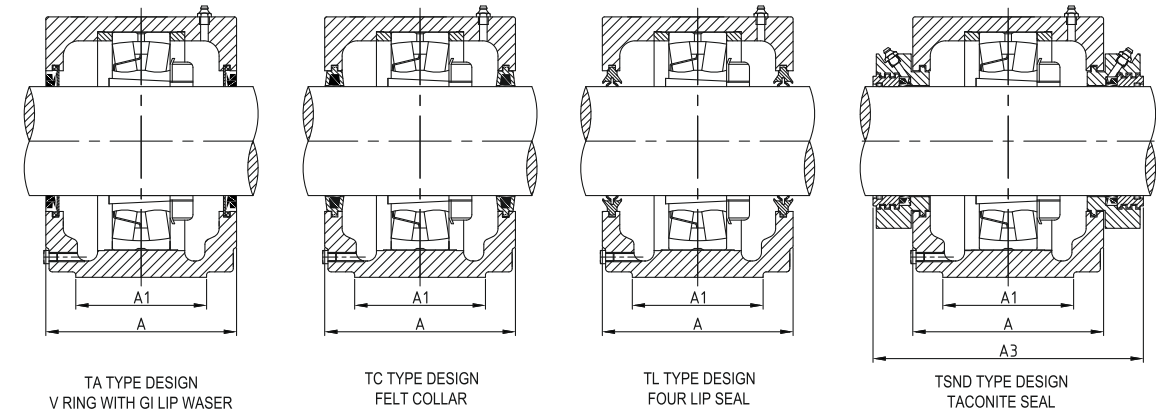
BF TYPE-Through Shaft, Located Bearing
BL TYPE-Through Shaft, Non-Located Bearing

Plummer Block SNA-524 and above are
Supplied with eye bolt on cap

Plummer Blocks Designation	Shaft Dia (da) mm	Dimension in MM														Approx Weight Kg	Bearing with Adapter Sleeve	Locating Rings	No.	
		A	A1	A2	A3	Da	H	H1	H2	J	L	Ca	N	N1	G					D
SNA 505	20	67	46	80	125	31.5	71	40	19	130	165	25	20	13	10	52	1.35	1205 K + H 205 2205 K + H 305	5/52 7/52	2 1
SNA 506	25	77	52	89	135	36.5	87	50	22	150	185	32	22	13	10	62	1.9	1206 K + H 206 2206 K + H 306	8/62 6/62	2 2
SNA 605	20	135														1.9	1305 K + H 305 2305 K + H 2305	7.5/62 8/62	2 1	
SNA 507	30	82	52	94	145	46.5	92	50	22	150	185	34	20	13	10	72	2	1207 K + H 207 2207 K + H 307 22207 CK + H 307	8.5/72 5.5/72 5.5/72	2 2 2
SNA 606	25	140														2	1306 K + H 306 2306 K + H 2306	7.5/72 7/72	2 1	
SNA 508	35	85	60	97	150	51.5	106	60	25	170	205	39	20	15	12	80	2.65	1208 K + H 208 2208 K + H 308 22208 CK + H 308	10.5/80 8/80 8/80	2 2 2
SNA 607	30	145														2.65	1307 K + H 307 2307 K + H 2307	9/80 8/80	2 1	
SNA 509	40	85	60	97	150	56.5	109	60	25	170	205	30	20	15	12	85	2.7	1209 K + H 209 2209 K + H 309 22209 CK + H 309	5.5/85 7/85 7/85	2 1 1
SNA 510	45	90	60	102	155	62	112	60	25	170	205	41	20	15	12	90	2.9	1210 K + H 210 2210 K + H 310 22210 CK + H 310	10.5/90 9/90 9/90	2 2 2
SNA 608	35	150														2.9	1308 K + H 308 2308 K + H 2308 21308 K + H 308 22308 CK + H 2308	9/90 8/90 9/90 8/90	2 1 2 1	
SNA 511	50	95	70	107	165	67	127	70	28	210	255	44	23	18	16	100	4.35	1211 K + H 211 2211 K + H 311 22211 CK + H 311	11.5/100 9.5/100 9.5/100	2 2 2
SNA 609	40	155														4.35	1309 K + H 309 2309 K + H 2309 21309 K + H 309 22309 CK + H 2309	9.5/100 8/100 9.5/100 8/100	2 1 2 1	

SNA 500 & 600 SERIES

Plummer Blocks (Bearing Housings)
For Bearings with Adapter Sleeves



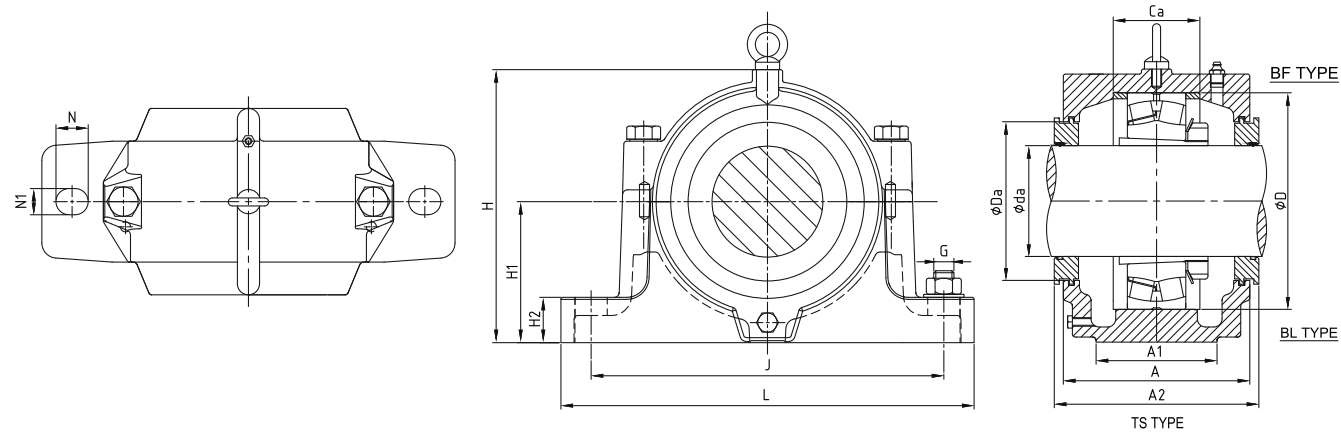
BF TYPE-Through Shaft, Located Bearing
BL TYPE-Through Shaft, Non-Located Bearing

Plummer Block SNA-524 and above are
Supplied with eye bolt on cap

Plummer Blocks Designation	Shaft Dia (da) mm	Dimension in MM														Approx Weight Kg	Bearing with Adapter Sleeve	Locating Rings	No.	
		A	A1	A2	A3	Da	H	H1	H2	J	L	Ca	N	N1	G					D
SNA 512	55	105	70	117	175	72	133	70	30	210	255	48	23	18	16	110	4.8	1212 K + H 212 2212 K + H 312 22212 CK + H 312	13/110 10/110 10/110	2 2 2
SNA 610	45	165														4.8	1310 K + H 310 2310 K + H 2310 21310 K + H 310 22310 K + H 2310	10.5/110 8/110 10.5/110 8/110	2 1 2 1	
SNA 513	60	110	80	122	180	77	148	80	30	230	275	51	24	18	16	120	5.75	1213 K + H 213 2213 K + H 313 22213 CK + H 313	14/120 10/120 10/120	2 2 2
SNA 611	50	170															1311 K + H 311 2311 K + H 2311 21311 K + H 311 22311 K + H 2311	11/120 8/120 11/120 8/120	2 1 2 1	
SNA 515	65	115	80	127	175	87	154	80	30	230	280	56	26	18	16	130	6.5	1215 K + H 215 2215 K + H 315 22215 CK + H 315	15.5/130 12.5/130 12.5/130	2 2 2
SNA 612	55	175															1312 K + H 312 2312 K + H 2312 21312 CK + H 312 22312 CK + H 2312	12.5/130 10/130 12.5/130 10/130	2 1 2 1	
SNA 516	70	120	90	138	205	92.5	175	95	32	260	315	58	29	22	20	140	9	1216 K + H 216 2216 K + H 316 22216 CK + H 316	16/140 12.5/140 12.5/140	2 2 2
SNA 613	60	180															1313 K + H 313 2313 K + H 2313 21313 K + H 313 22313 K + H 2313	12.5/140 10/140 12.5/140 10/140	2 1 2 1	
SNA 517	75	125	90	143	210	97.5	181	95	32	260	320	61	30	22	20	150	9.8	1217 K + H 217 2217 K + H 317 22217 CK + H 317	16.5/150 12.5/150 12.5/150	2 2 2
SNA 518	80	140	100	158	225	102.5	192	100	35	290	345	65	27	22	20	160	12.5	1218 K + H 218 2218 K + H 318 22218 CK + H 318 23218 CK + H 2318	17.5/160 12.5/160 12.5/160 12.5/160	2 2 2 1
SNA 615	65	200															1315 K + H 315 2315 K + H 2315 21315 K + H 315 22315 K + H 2315	14/160 10/140 14/160 10/160	2 1 2 1	

SNA 500 & 600 SERIES

Plummer Blocks (Bearing Housings)
For Bearings with Adapter Sleeves



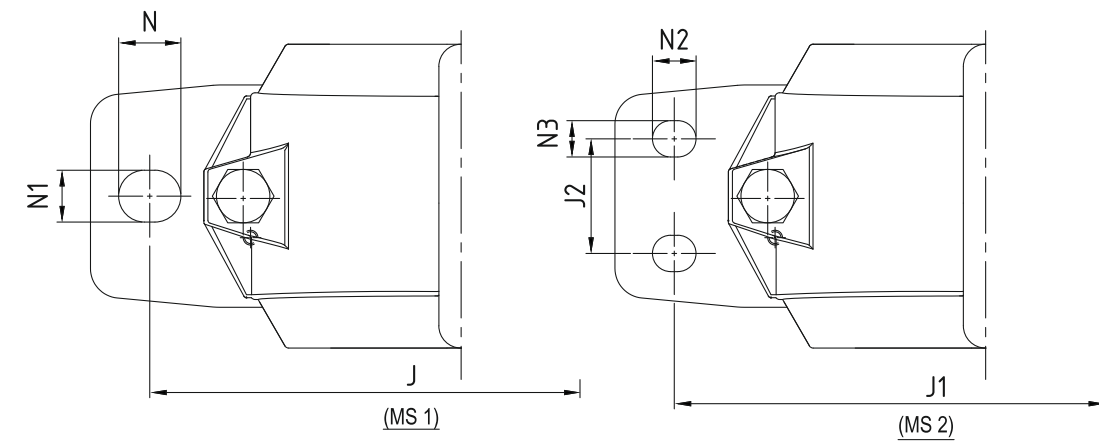
BF TYPE-Through Shaft, Located Bearing
BL TYPE-Through Shaft, Non-Located Bearing

Plummer Block SNA-524 and above are
Supplied with eye bolt on cap

Plummer Blocks Designation	Shaft Dia (da) mm	Dimension in MM														Approx Weight Kg	Bearing with Adapter Sleeve	Locating Rings	No.	
		A	A1	A2	A3	Da	H	H1	H2	J	L	Ca	N	N1	G					D
SNA 519	85	145	100	163	220	131	209	112	35	290	345	68	27	22	20	170	14	1219 K + H 219	18/170	2
																		2219 K + H 319	12.5/170	2
																		22219 CK+ H 319	12.5/170	2
SNA 616	70				205													1316 K + H 316	14.5/170	2
																		2316 K + H 2316	10/170	1
																		21316 K + H 316	14.5/170	2
																		22316 K + H 2316	10/170	1
SNA 520	90	160	110	178	230	137.5	215	112	40	320	380	70	32	26	24	180	17	1220 K + H 220	18/180	2
																		2220 K + H 320	12/180	2
																		22220 CK+ H 320	12/180	2
																		23220 CK+ H 2320	9.7/180	1
SNA 617	75				220													1317 K + H 317	14.5/180	2
																		2317 K + H 2317	10/180	1
																		21317 K + H 317	14.5/180	2
																		22317 K + H 2317	10/180	1
SNA 522	100	175	120	191	250	147.5	239	125	45	350	410	80	32	26	24	200	21	1222 K + H 222	21/200	2
																		2222 K + H 322	13.5/200	2
																		22222 CK+ H 322	13.5/200	2
																		23222 CK+ H 2322	11.2/200	1
SNA 619	85				235													22319 CK+ H 2319	13/200	1
SNA 524	110	185	120	199	260	157.5	271	140	45	350	410	86	32	26	24	215	24.5	22224 CK+ H 3124	14/215	2
																		23224 CK+ H 2324	10/215	1
SNA 620	90				240													22320 CK+ H 2320	13/215	1
SNA 526	115	190	130	208	265	167.5	290	150	50	380	445	90	35	28	24	230	32.5	22226 CK+ H 3126	13/230	2
																		23226 CK+ H 2326	10/230	1
SNA 528	125	205	150	223	285	177.5	302	150	50	420	500	98	42	35	30	250	42.5	22228 CK+ H 3128	15/250	2
																		23228 CK+ H 2328	10/250	1
SNA 530	135	220	160	241	295	192.5	323	160	60	450	530	106	42	35	30	270	50.5	22230 CK+ H 3130	16.5/270	2
																		23230 CK+ H 2330	10/270	1
SNA 532	140	235	160	254	315	202.5	344	170	60	470	550	114	42	35	30	290	57	22232 CK+ H 3132	17/290	2
																		23232 CK+ H 2332	10/290	1

SNA SERIES

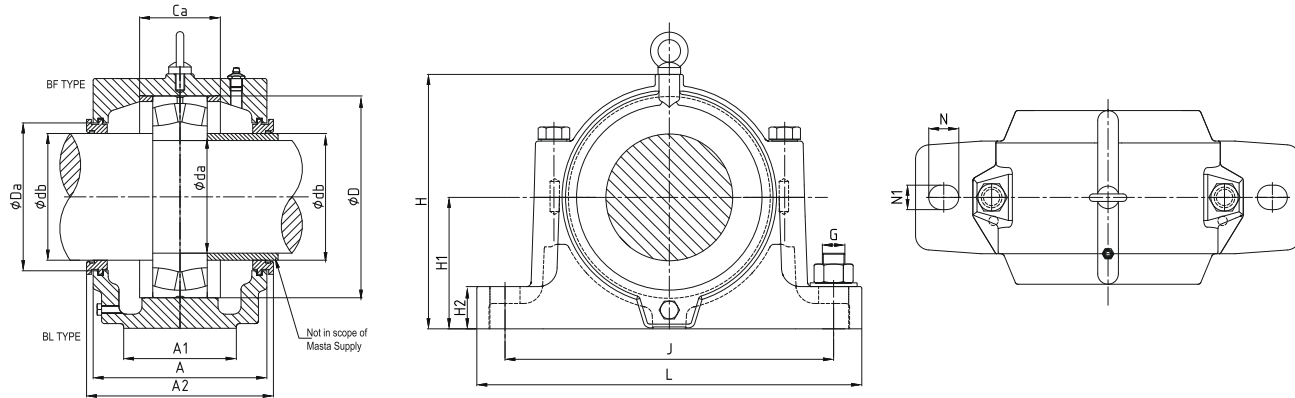
Plummer Blocks (Bearing Housings)
For Foundation Holes



Housing Designation	Dimension For Two Hole Base (MS1)			Suitable Bolt Size	Dimension For Four Hole Base (MS2)				Suitable Bolt Size
	J	N	N1		J1	J2	N2	N3	
SNA 511-609	210	23	18	M 16	200	35	20	13	M 12
SNA 512-610	210	23	18	M 16	200	35	20	13	M 12
SNA 513-611	230	24	18	M 16	220	40	20	13	M 12
SNA 515-612	230	26	18	M 16	220	40	20	13	M 12
SNA 516-613	260	29	22	M 20	250	50	20	13	M 12
SNA 517-614	260	30	22	M 20	250	50	20	13	M 12
SNA 518-615	290	27	22	M 20	280	50	24	18	M 16
SNA 519-616	290	27	22	M 20	280	50	24	18	M 16
SNA 520-617	320	32	26	M 24	300	60	24	18	M 16
SNA 522-619	350	32	26	M 24	320	70	24	18	M 16
SNA 524-620	350	32	26	M 24	330	70	24	18	M 16
SNA 526	380	35	28	M 24	370	70	28	22	M 20
SNA 528	420	42	35	M 30	400	80	32	26	M 24
SNA 530	450	42	35	M 30	430	90	32	26	M 24
SNA 532	470	42	35	M 30	450	90	32	26	M 24

SNA 200 & 300 SERIES

Plummer Blocks (Bearing Housings)
For Straight (cylindrical) Bore Bearings

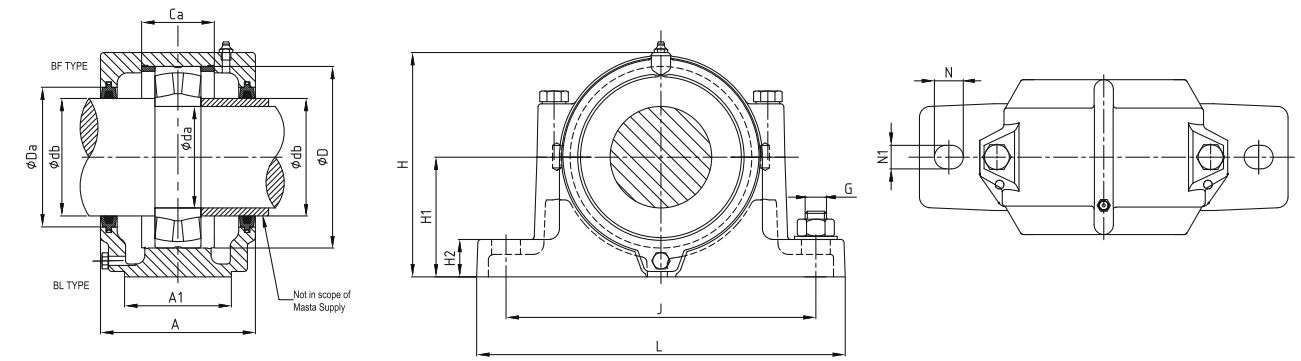


BF TYPE-Through Shaft, Located Bearing
BL TYPE-Through Shaft, Non-Located Bearing
Plummer Block SNA-224/320 and above are
Supplied with eye bolt on cap

Plummer Blocks Designation	Shaft Dia		Dimension in mm													Approx Weight Kg	Bearing with Adapter Sleeve	Locating Ring Size/Two Nos. per Housing	
	da	db	A	A1	A2	Da	H	H1	H2	J	L	Ca	N	N1	G				D
SNA 205	25	30	67	46	80	36.5	71	40	19	130	165	25	20	13	10	52	1.4	1205 E 2205 E 22205 E	5/52 3.5/52 3.5/52
SNA 206	30	35	77	52	89	46.5	87	50	22	150	185	32	22	13	10	62	1.9	1206 E 2206 E 22206 E	8/62 6/62 6/62
SNA 305	25	30																1305 E 2305 E 21305 CC	7.5/62 4/62 7.5/62
SNA 207	35	45	82	52	96	56.5	92	50	22	150	185	34	20	15	10	72	2.1	1207 E 2207 E 22207 E	8.5/72 5.5/72 5.5/72
SNA 306	30	35																1206 E 2306 E 21306 CC	7.5/72 3.5/72 7.5/72
SNA 208	40	50	85	60	99	62	106	60	25	170	205	39	20	15	12	80	2.75	1208 E 2208 E 22208 E	10.5/80 8/80 8/80
SNA 307	35	45																1307 E 21307 CC	9/80 9/80
SNA 209	45	55	85	60	97	67	109	60	25	170	205	30	20	15	12	85	2.75	1209 E 2209 E 22209 E	5.5/85 3.5/85 3.5/85
SNA 210	50	60	90	60	102	72	112	60	25	170	205	41	20	15	12	90	3	1210 E 2210 E 22210 E	10.5/90 9/90 9/90
SNA 308	40	50																1308 E 2308 E 21308CC 22308 E	9/90 4/90 9/90 4/90
SNA 211	55	65	95	70	127	77	127	70	28	210	255	44	23	18	16	100	4.2	1211 E 2211 E 22211 E	11.5/100 9.5/100 9.5/100
SNA 309	45	55																1309 E 2309 E 21309CC 22309 E	9.5/100 4/100 9.5/100 4/100

SNA 200 & 300 SERIES

Plummer Blocks (Bearing Housings)
For Straight (cylindrical) Bore Bearings

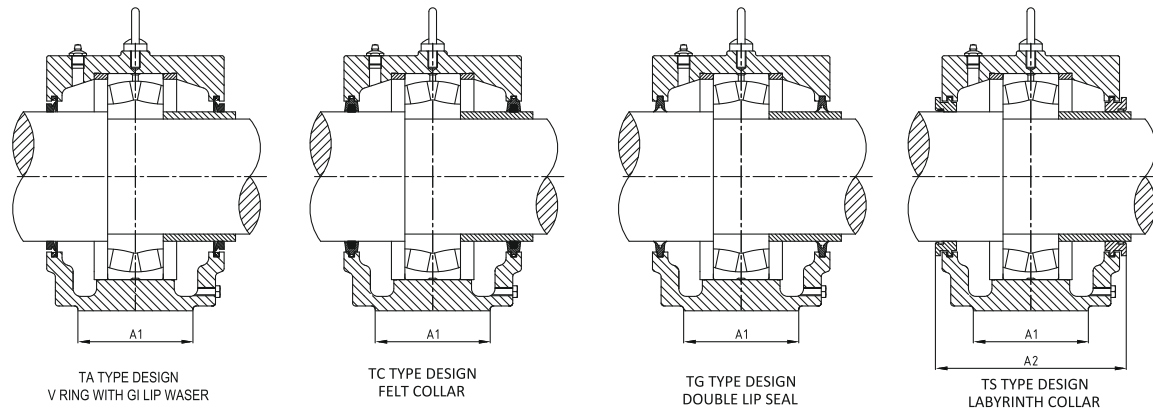


BF TYPE-Through Shaft, Located Bearing
BL TYPE-Through Shaft, Non-Located Bearing
Plummer Block SNA-224/320 and above are
Supplied with eye bolt on cap

Plummer Blocks Designation	Shaft Dia		Dimension in MM													Approx Weight Kg	Bearing with Adapter Sleeve	Locating Ring Size/Two Nos. per Housing	
	da	db	A	A1	A2	Da	H	H1	H2	J	L	Ca	N	N1	G				D
SNA 212	60	70	105	70	117	87	133	70	30	210	255	48	23	18	16	110	4.75	1212 E 2212 E 22212 E	13/110 10/110 10/110
SNA 310	50	60																1310 E 2310 E 21310 CC 22310 E	10.5/110 4/110 10.5/110 4/110
SNA 213	65	75	110	80	122	92.5	148	80	30	230	275	51	24	18	16	120	6.1	1213 E 2213 E 22213 E	14/120 10/120 10/120
SNA 311	55	65																1311 E 2311 E 21311CC 22311 E	11/120 4/120 11/120 4/120
SNA 215	75	85	115	80	127	102.5	154	80	30	230	280	56	26	18	16	130	6.6	1215 E 2215 E 22215 E	15.5/130 12.5/130 12.5/130
SNA 312	60	70																1312 E 2312 E 21312CC 22312 E	12.5/130 5/130 12.5/130 5/130
SNA 216	80	90	120	90	138	108	175	95	32	260	315	58	29	22	20	140	9	1216 E 2216 E 22216 E	16/140 12.5/140 12.5/140
SNA 313	65	75																1313 E 2313 E 21313CC 22313 E	12.5/140 5/140 12.5/140 5/140
SNA 217	85	95	125	90	143	112	181	95	32	260	320	61	30	22	20	150	9.5	1217 E 2217 E 22217 E	16.5/150 12.5/150 12.5/150
SNA 314	70	80																1314 E 2314 E 21314CC 22314 E	13/150 5/150 13/150 5/150
SNA 218	90	100	140	100	158	120	192	100	35	290	345	65	27	22	20	160	11.8	1218 E 2218 E 22218 E 23218CC	17.5/160 12.5/160 12.5/160 6.25/160
SNA 315	75	85																1315 E 2315 E 21315CC 22315 E	14/160 5/160 14/160 5/160

SNA 200 & 300 SERIES

Plummer Blocks (Bearing Housings)
For Straight (cylindrical) Bore Bearings



BF TYPE-Through Shaft, Located Bearing
BL TYPE-Through Shaft, Non-Located Bearing

Plummer Block SNA-224/320 and above are
Supplied with eye bolt on cap

Plummer Blocks Designation	Shaft Dia		Dimension in MM													Approx Weight Kg	Bearing with Adapter Sleeve	Locating Ring Size/Two Nos. per Housing		
	da	db	A	A1	A2	Da	H	H1	H2	J	L	Ca	N	N1	G				D	
SNA 219	95	110	145	100	163	131	209	112	35	290	345	68	27	22	20	170	13.7	1219 E 2219 E 22219 E	18/170 12.5/170 12.5/170	
SNA 316	80	90																	1316 E 2316 E 21316CC 22316 E	14.5/170 5/170 14.5/170 5/170
SNA 220	100	115	160	110	178	137.5	215	112	40	320	380	70	32	26	24	180			1220 E 2220 E 22220 E 23220CC	18/180 12/180 12/180 4.85/180
SNA 317	85	95																1317 E 2317 E 21317CC 22317 E	14.5/180 5/180 14.5/180 5/180	
SNA 222	110	125	175	120	191	147.5	239	125	45	350	410	80	32	26	24	200	22	1222 E 2222 E 22222 E 23222CC	21/200 13.5/200 13.5/200 5.1/200	
SNA 319	95	110																	1319 E 2319 E 21319CC 22319 E	17.5/200 6.5/200 17.5/200 6.5/200
SNA 224	120	135	185	120	199	157.5	271	140	45	350	410	86	32	26	24	215			1224 E 2224 E 23224CC	22/215 14/215 5/215
SNA 320	100	115																1320 E 2320 E 21320CC 22320 E	19.5/215 6.5/215 19.5/215 6.5/215	
SNA 226	130	145	190	130	208	167.5	290	150	50	380	445	90	35	28	24	230	33	1226 E 2226 E 23226CC	22/230 13/230 5/230	
SNA 228	140	155	205	150	223	177.5	302	150	50	420	500	98	42	35	30	250			22228CC 23228CC	15/250 5/250
SNA 230	150	165	220	160	241	192.5	323	160	60	450	530	106	42	35	30	270			22230CC 23230CC	16.5/270 5/270
SNA 232	160	175	235	160	254	202.5	344	170	60	470	550	114	42	35	30	290	55	22232CC 23232CC	17/290 5/290	

RECOMMENDED TIGHTENING TORQUE FOR CAP BOLTS & FOUNDATION BOLTS FOR SNA



SNA 500-600 SERIES	SNA 200-300 SERIES	Values for Cap Bolts		Values for Foundation Bolts		Recommended Initial Grease filled Quantity	
		Bolt Size	Tightening Torque Nm	Bolt Size	Tightening Torque Nm	First fill 40 % Gram	First fill 20 % Gram
SNA 505	SNA 205	M10x40	50	M12	80	25	15
SNA 506-605	SNA 206-305	M10x40	50	M12	80	40	25
SNA 507-606	SNA 207-306	M10x50	50	M12	80	50	30
SNA 508-607	SNA 208-307	M10x50	50	M12	80	60	35
SNA 509	SNA 209	M10x50	50	M12	80	65	40
SNA 510-608	SNA 210-308	M10x55	50	M12	80	75	45
SNA 511-609	SNA 211-309	M12x60	80	M16	200	100	60
SNA 512-610	SNA 212-310	M12x60	80	M16	200	150	90
SNA 513-611	SNA 213-311	M12x65	80	M16	200	180	110
SNA 515-612	SNA 215-312	M12x65	80	M20	385	230	140
SNA 516-613	SNA 216-313	M12x70	80	M20	385	280	170
SNA 517	SNA 217-314	M12x80	80	M20	385	330	200
SNA 518-615	SNA 218-315	M16x90	150	M20	385	430	260
SNA 519-616	SNA 219-316	M16x90	150	M20	385	480	300
SNA 520-617	SNA 220-317	M16x100	150	M24	385	630	390
SNA 522-619	SNA 222-319	M20x100	200	M24	665	850	530
SNA 524-620	SNA 224-320	M20x110	200	M24	665	1000	630
SNA 526	SNA 226	M24x130	350	M24	665	1100	700
SNA 528	SNA 228	M24x130	350	M30	1310	1400	900
SNA 530	SNA 230	M24x130	350	M30	1310	1700	1100
SNA 532	SNA 232	M24x130	350	M30	1310	2000	1300