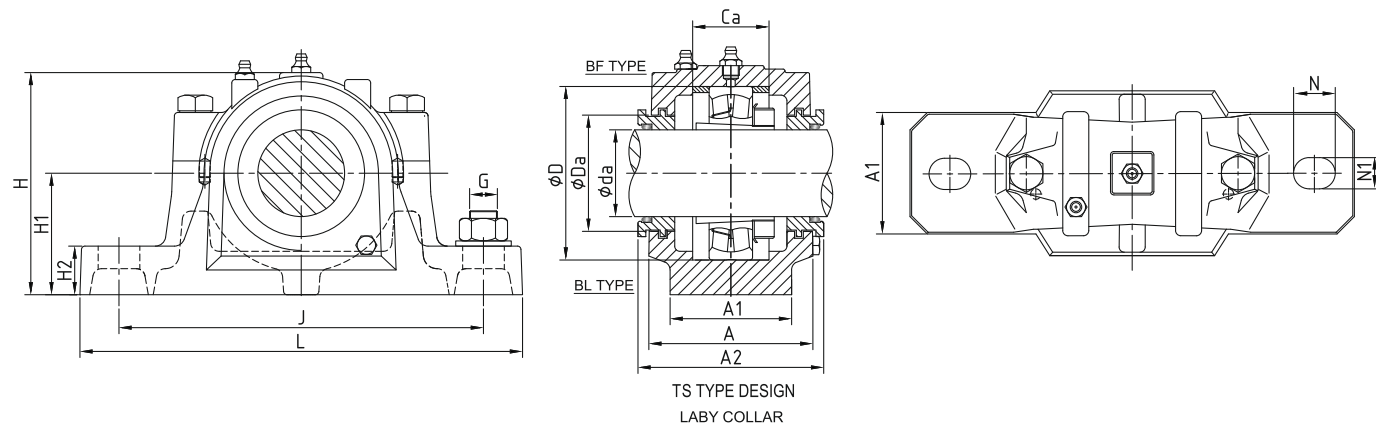


SNL 500 & 600 SERIES

Plummer Blocks (Bearing Housings)
For Bearings with Adapter Sleeves

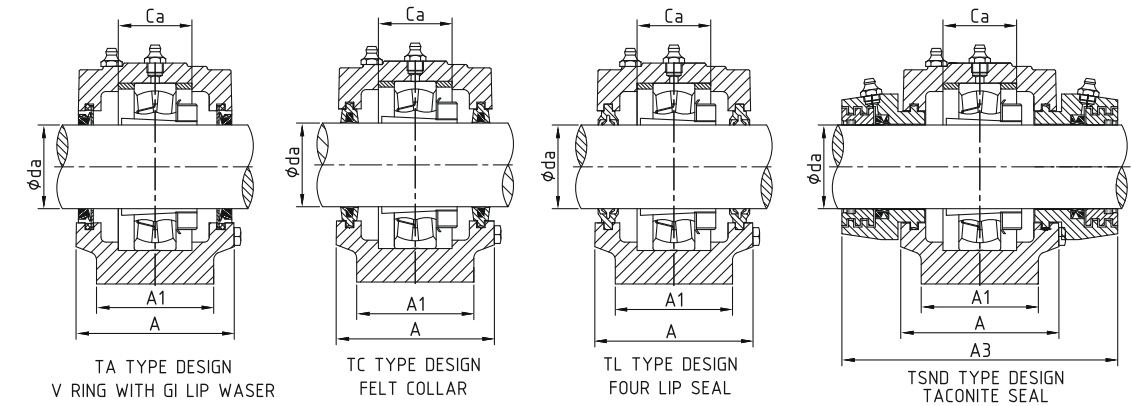


BF TYPE-Through Shaft, Located Bearing | Plummer Block SNL-524/620 and above are
BL TYPE-Through Shaft, Non-Located Bearing | Supplied with eye bolt on cap

Plummer Blocks Designation	Shaft Dia (da) mm	Dimension in MM														Approx Weight Kg	Bearing with Adapter Sleeve	Locating Ring Size 2 Nos. per Housing	
		A	A1	A2	A3	Da	H	H1	H2	J	L	Ca	N	N1	G				D
SNL 505	20	67	46	80	125	31.5	71	40	19	130	165	25	20	15	12	52	1.45	1205 EK + H 205 2205 EK + H 305 22205 EK + H 305	5/52 3.5/52 3.5/52
SNL 506	25	77	52	89	135	36.5	89	50	22	150	185	32	20	15	12	62	2	1206 EK + H 206 2206 EK + H 306 22206 EK + H 306	8/62 6/62 6/62
SNL 605	20	135															1305 EK + H 305 2305 EK + H 2305	7.5/62 4/62	
SNL 507	30	82	52	94	145	46.5	93	50	22	150	185	34	20	15	12	72	2.2	1207 EK + H 207 2207 EK + H 307 22207 EK + H 307	8.5/72 5.5/72 5.5/72
SNL 606	25	140															1306 EK + H 306 2306 EK + H 2306	7.5/72 3.5/72	
SNL 508	35	85	60	97	150	51.5	108	60	25	170	205	39	20	15	12	80	2.9	1208 EK + H 208 2208 EK + H 308 22208 EK + H 308	10.5/80 8/80 8/80
SNL 607	30	145 108															1307 EK + H 307 2307 EK + H 307	9/80 4/80	
SNL 509	40	85	60	97	150	56.5	109	60	25	170	205	30	20	15	12	85	2.9	1209 EK + H 209 2209 EK + H 309 22209 CCK + H 309	5.5/85 3.5/85 3.5/85
SNL 510	45	90	60	102	150	62	113	60	25	170	205	41	20	15	12	90	3.2	1210 EK + H 210 2210 EK + H 310 22210 CCK + H 310	10.5/90 9/90 9/90
SNL 608	35	155															1308 EK + H 308 2308 EK + H 2308 21308 CCK + H 308 22308 CCK + H 2308	9/90 4/90 9/90 4/90	
SNL 511	50	95	70	107	165	67	128	70	28	210	255	44	24	18	16	100	4.4	1211 EK + H 211 2211 EK + H 311 22211 EK + H 311	11.5/100 9.5/100 9.5/100
SNL 609	40	155															1309 EK + H 309 2309 EK + H 2309 21309 CCK + H 309 22309 EK + H 2309	9.5/100 4/100 9.5/100 4/100	

SNL 500 & 600 SERIES

Plummer Blocks (Bearing Housings)
For Bearings with Adapter Sleeves

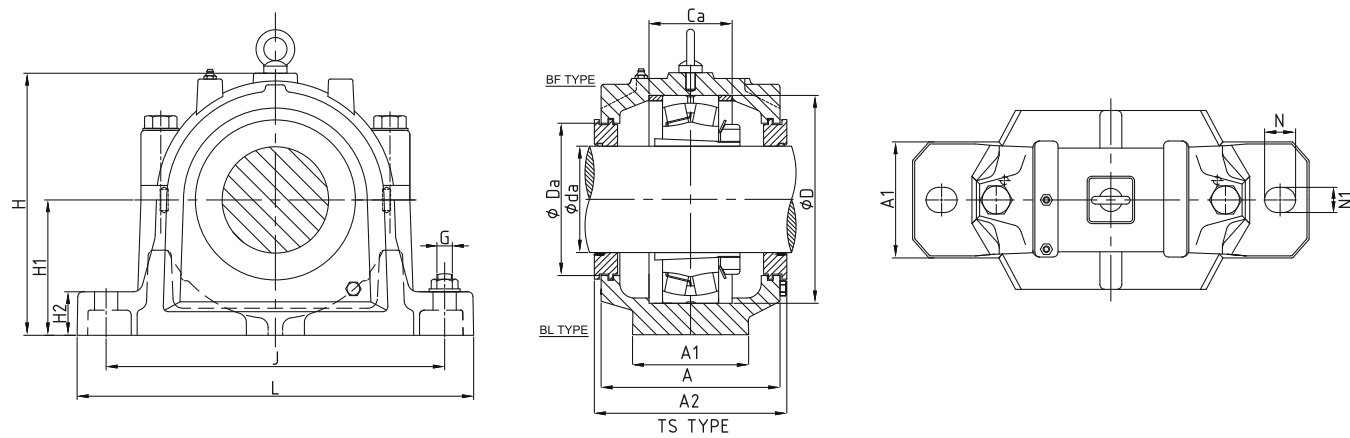


BF TYPE-Through Shaft, Located Bearing | Plummer Block SNL-524/620 and above are
BL TYPE-Through Shaft, Non-Located Bearing | Supplied with eye bolt on cap

Plummer Blocks Designation	Shaft Dia (da) mm	Dimension in MM														Approx Weight Kg	Bearing with Adapter Sleeve	Locating Ring Size 2 Nos. per Housing	
		A	A1	A2	A3	Da	H	H1	H2	J	L	Ca	N	N1	G				D
SNL 512	55	105	70	117	175	72	134	70	30	210	255	48	24	18	16	110	5.1	1212 EK + H 212 2212 EK + H 312 22212 EK + H 312	13/110 10/110 10/110
SNL 610	45	165 133															1310 CCK + H 310 2310 EK + H 2310 21310 CCK + H 310 22310 EK + H 2310	10.5/110 4/110 10.5/110 4/110	
SNL 513	60	110	80	122	180	77	149	80	30	230	275	51	24	18	16	120	6.5	1213 EK + H 213 2213 EK + H 313 22213 CK + H 313	14/120 10/120 10/120
SNL 611	50	170 148															1311 EK + H 311 2311 EK + H 2311 21311 CCK + H 311 22311 EK + H 2311	11/120 4/120 11/120 4/120	
SNL 515	65	115	80	127	175	87	154	80	30	230	280	56	24	18	16	130	7	1215 EK + H 215 2215 EK + H 315 22215 EK + H 315	15.5/130 12.5/130 12.5/130
SNL 612	55	175															1312 EK + H 312 2312 EK + H 2312 21312 CCK + H 312 22312 EK + H 2312	12.5/130 5/130 12.5/130 5/130	
SNL 516	70	120	90	138	205	92.5	177	95	32	260	315	58	28	22	20	140	9.5	1216 EK + H 216 2216 EK + H 316 22216 EK + H 316	16/140 12.5/140 12.5/140
SNL 613	60	180 175															1313 EK + H 313 2313 EK + H 2313 21313 CCK + H 313 22313 EK + H 2313	12.5/140 5/140 12.5/140 5/140	
SNL 517	75	125	90	143	210	97.5	183	95	32	260	320	61	28	22	20	150	10	1217 EK + H 217 2217 EK + H 317 22217 EK + H 317	16.5/150 12.5/150 12.5/150
SNL 518	80	140	100	158	225	102.5	194	100	35	290	345	65	28	22	20	160	12.5	1218 EK + H 218 2218 EK + H 318 22218 EK + H 318 23218 CCK + H 2318	17.5/160 12.5/160 12.5/160 6.25/160
SNL 615	65	200 193															1315 EK + H 315 2315 EK + H 2315 21315 CCK + H 315 22315 EK + H 2315	14/160 5/160 14/160 5/160	

SNL 500 & 600 SERIES

Plummer Blocks (Bearing Housings)
For Bearings with Adapter Sleeves

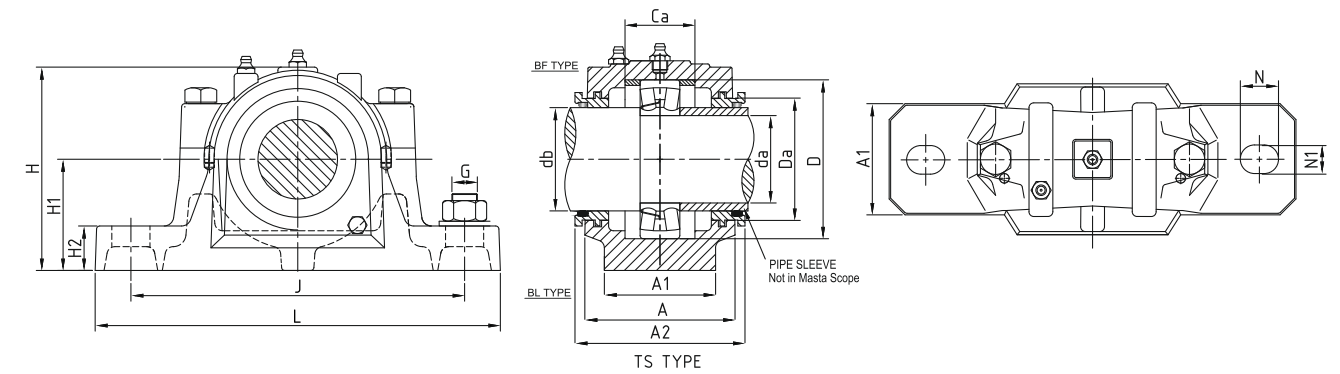


BF TYPE-Through Shaft, Located Bearing | Plummer Block SNL-524/620 and above are
BL TYPE-Through Shaft, Non-Located Bearing | Supplied with eye bolt on cap

Plummer Blocks Designation	Shaft Dia (da) mm	Dimension in MM															Approx Weight Kg	Bearing with Adapter Sleeve	Locating Ring Size 2 Nos. per Housing
		A	A1	A2	A3	Da	H	H1	H2	J	L	Ca	N	N1	G	D			
SNL 519	85	145	100	163	220	131	212	112	35	290	345	68	28	22	20	170	13.7	1219 EK + H 219 2219 EK + H 319 22219 EK+ H 319	18/170 12.5/170 12.5/170
SNL 616	70			205		210												1316 EK + H 316 2316 EK + H 2316 21316 CCK+ H 316 22316 EK+ H 2316	14.5/170 5/170 14.5/170 5/170
SNL 520	90	160	110	178	230	137.5	218	112	40	320	380	70	32	26	24	180	17.6	1220 EK + H 220 2220 EK + H 320 22220 EK+ H 320 23220 CCK+ H 2320	18/180 12/180 12/180 4.85/180
SNL 617	75			220		215												1317 EK + H 317 2317 EK + H 2317 21317 CCK+ H 317 22317 EK+ H 2317	14.5/180 5/180 14.5/180 5/180
SNL 522	100	175	120	191	250	147.5	242	125	45	350	410	80	32	26	24	200	22	1222 EK + H 222 2222 EK + H 322 22222 EK+ H 322 23222 CCK+ H 2322	21/200 13.5/200 13.5/200 5.1/200
SNL 619	85			235		242												1319 EK + H 319 2319 EK + H 2319 21319 CCK+ H 319 22319 EK+ H 2319	17.5/200 6.5/200 17.5/200 6.5/200
SNL 524	110	185	120	199	260	157.5	271	140	45	350	410	86	32	26	24	215	26.2	1224 EK + H 3124 22224 EK+ H 3124 23224 CCK+ H 2324	22/215 14/215 5/215
SNL 620	90			240														1320 EK + H 320 2320 EK + H 2320 21320 CCK+ H 320 22320 EK+ H 2320	19.5/215 6.5/215 19.5/215 6.5/215
SNL 526	115	190	130	208	265	167.5	290	150	50	380	445	90	35	28	24	230	33	22226 EK+ H 3126 23226 CCK+ H 2326	13/230 5/230
SNL 528	125	205	150	223	285	177.5	302	150	50	420	500	98	42	35	30	250	40	22228 CCK+ H 3128 23228 CCK+ H 2328	15/250 5/250
SNL 530	135	220	160	241	295	192.5	323	160	60	450	530	106	42	35	30	270	49	22230 CCK+ H 3130 23230 CCK+ H 2330	16.5/270 5/270
SNL 532	140	235	160	254	315	202.5	344	170	60	470	550	114	42	35	30	290	55	22232 CCK+ H 3132 23232 CCK+ H 2332	17/290 5/290

SNL 200 & 300 SERIES

Plummer Blocks (Bearing Housings)
For Bearings with Adapter Sleeves

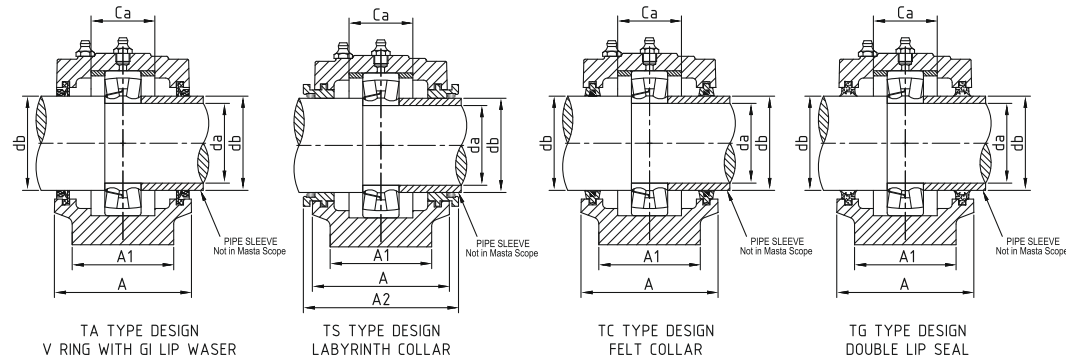


BF TYPE-Through Shaft, Located Bearing | Plummer Block SNL-224/320 and above are
BL TYPE-Through Shaft, Non-Located Bearing | Supplied with eye bolt on cap

Plummer Blocks Designation	Shaft Dia da db	Dimension in MM															Approx Weight Kg	Bearing with Adapter Sleeve	Locating Ring Size 2 Nos. per Housing
		A	A1	A2	Da	H	H1	H2	J	L	Ca	N	N1	G	D				
SNL 205	25 30	67	46	80	36.5	74	40	19	130	165	25	20	15	12	52	1.4	1205 E 2205 E 22205 E	5/52 3.5/52 3.5/52	
SNL 206	30 35	77	52	89	46.5	89	50	22	150	185	32	20	15	12	62	1.9	1206 E 2206 E 22206 E	8/62 6/62 6/62	
SNL 305	25 30																1305 E 2305 E 21305 CC	7.5/62 4/62 7.5/62	
SNL 207	35 45	82	52	94	56.5	93	50	22	150	185	34	20	15	12	72	2.1	1207 E 2207 E 22207 E	8.5/72 5.5/72 5.5/72	
SNL 306	30 35																1306 E 2306 E 21306 CC	7.5/72 3.5/72 7.5/72	
SNL 208	40 50	85	60	97	62	108	60	25	170	205	39	20	15	12	80	2.75	1208 E 2208 E 22208 E	10.5/80 8/80 8/80	
SNL 307	35 45																1307 E 2307 E 21307 CC	9/80 4/80 9/80	
SNL 209	45 55	85	60	97	67	109	60	25	170	205	30	20	15	12	85	2.75	1209 E 2209 E 22209 E	5.5/85 3.5/85 3.5/85	
SNL 210	50 60	90	60	102	72	113	60	25	170	205	41	20	15	12	90	3	1210 E 2210 E 22210 E	10.5/90 9/90 9/90	
SNL 308	40 50																1308 E 2308 E 21308 CC 22308 E	9/90 4/90 9/90 4/90	
SNL 211	55 65	95	70	107	77	128	70	28	210	255	44	24	18	16	100	4.2	1211 E 2211 E 22211 E	11.5/100 9.5/100 9.5/100	
SNL 309	45 55																1309 E 2309 E 21309 CC 22309 E	9.5/100 4/100 9.5/100 4/100	

SNL 200 & 300 SERIES

Plummer Blocks (Bearing Housings)
For Bearings with Adapter Sleeves

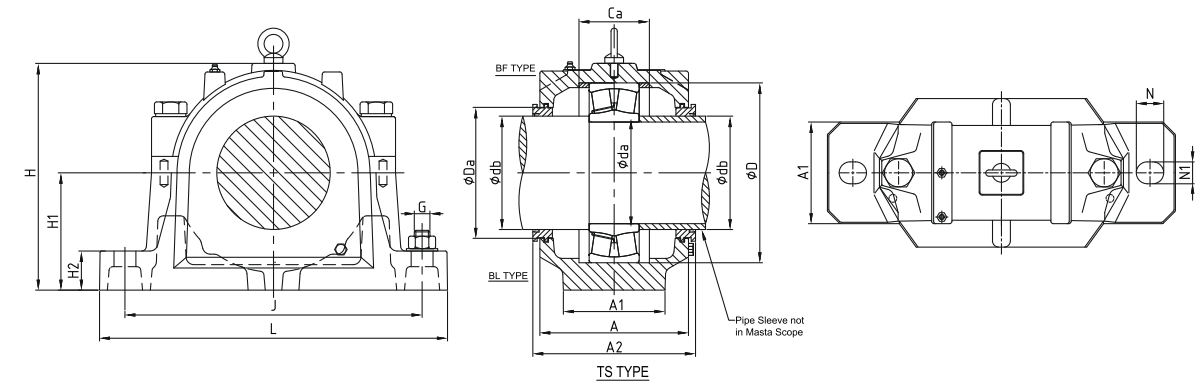


BF TYPE-Through Shaft, Located Bearing | Plummer Block SNL-224/320 and above are
BL TYPE-Through Shaft, Non-Located Bearing | Supplied with eye bolt on cap

Plummer Blocks Designation	Shaft Dia		Dimension in MM													Approx Weight Kg	Bearing with Adapter Sleeve	Locating Ring Size 2 Nos. per Housing	
	da	db	A	A1	A2	Da	H	H1	H2	J	L	Ca	N	N1	G				D
SNL 212	60	70	105	70	117	87	134	70	30	210	255	48	24	18	16	110	4.75	1212 E 2212 E 22212 E	13/110 10/110 10/110
SNL 310	50	60																1310 E 2310 E 21310 CC 22310 E	10.5/110 4/110 10.5/110 4/110
SNL 213	65	75	110	80	122	92.5	149	80	30	230	275	51	24	18	16	120	6.1	1213 E 2213 E 22213 E	14/120 10/120 10/120
SNL 311	55	65																1311 E 2311 E 2131 CC 22311 E	11/120 4/120 11/120 4/120
SNL 215	75	85	115	80	127	102.5	155	80	30	230	280	56	24	18	16	130	6.6	1215 E 2215 E 22215 E	15.5/130 12.5/130 12.5/130
SNL 312	60	70																1312 E 2312 E 21312 CC 22312 E	12.5/130 5/130 12.5/130 5/130
SNL 216	80	90	120	90	138	108	177	95	32	260	315	58	28	22	20	140	9	1216 E 2216 E 22216 E	16/140 12.5/140 12.5/140
SNL 313	65	75																1313 E 2313 E 21313 CC 22313 E	12.5/140 5/140 12.5/140 5/140
SNL 217	85	95	125	90	143	112	183	95	32	260	320	61	28	22	20	150	9.5	1217 E 2217 E 22217 E	16.5/150 12.5/150 12.5/150
SNL 314	70	80																1314 E 2314 E 21314 CC 22314 E	13/150 5/150 13/150 5/150
SNL 218	90	100	140	100	158	120	194	100	35	290	345	65	28	22	20	160	11.8	1218 E 2218 E 22218 E 23218 CC	17.5/160 12.5/160 12.5/160 6.25/160
SNL 315	75	85																1315 E 2315 E 21315 CC 22315 E	14/160 5/160 14/160 5/160

SNL 200 & 300 SERIES

Plummer Blocks (Bearing Housings)
For Bearings with Adapter Sleeves

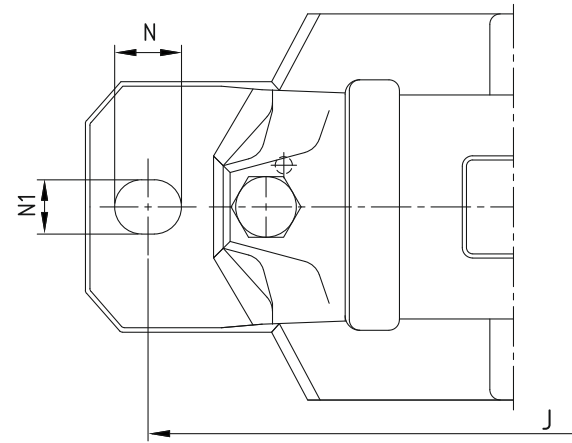


BF TYPE-Through Shaft, Located Bearing | Plummer Block SNL-224/320 and above are
BL TYPE-Through Shaft, Non-Located Bearing | Supplied with eye bolt on cap

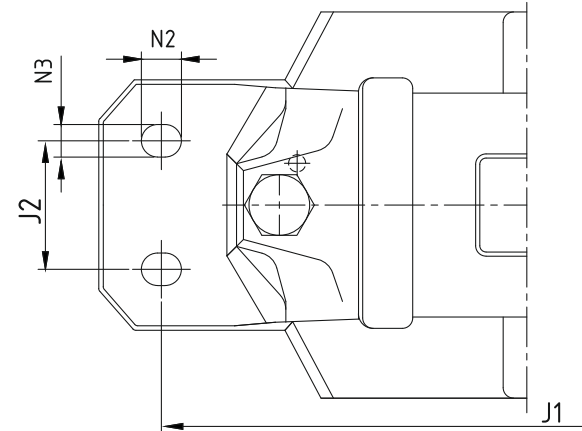
Plummer Blocks Designation	Shaft Dia		Dimension in MM													Approx Weight Kg	Bearing with Adapter Sleeve	Locating Ring Size 2 Nos. per Housing	
	da	db	A	A1	A2	Da	H	H1	H2	J	L	Ca	N	N1	G				D
SNL 219	95	110	145	100	163	131	210	112	35	290	345	68	28	22	20	170	13.9	1219 E 2219 E 22219 E	18/170 12.5/170 12.5/170
SNL 316	80	90																1316 E 2316 E 21316 CC 22316 E	14.5/170 5/170 14.5/170 5/170
SNL 220	100	115	160	110	178	137.5	218	112	40	320	380	70	32	26	24	180		1220 E 2220 E 22220 E 23220 CC	18/180 12/180 12/180 4.85/180
SNL 317	85	95															1317 E 2317 E 21317 CC 22317 E	14.5/180 5/180 14.5/180 5/180	
SNL 222	110	125	175	120	191	147.5	242	125	45	350	410	80	32	26	24	200	22	1222 E 2222 E 22222 E 23222 CC	21/200 13.5/200 13.5/200 5.1/200
SNL 319	95	110																1319 E 2319 E 21319 CC 22319 E	17.5/200 6.5/200 17.5/200 6.5/200
SNL 224	120	135	185	120	199	157.5	271	140	45	350	410	86	32	26	24	215		1224 E 22224 E 23224 CC	22/215 14/215 5/215
SNL 320	100	115															1320 E 2320 E 21320 CC 22320 E	19.5/215 6.5/215 19.5/215 6.5/215	
SNL 226	130	145	190	130	208	167.5	290	150	50	380	445	90	35	28	24	230	33	1226 E 22226 E 23226 CC	22/230 13/230 5/230
SNL 228	140	155	205	150	223	177.5	302	150	50	420	500	98	42	35	30	250		22228 CC 23228 CC	15/250 5/250
SNL 230	150	165	220	160	241	192.5	323	160	60	450	530	106	42	35	30	270	49	22230 CC 23230 CC	16.5/270 5/270
SNL 232	160	175	235	160	254	202.5	344	170	60	470	550	114	42	35	30	290		22232 CC 23232 CC	17/290 5/290

SNL SERIES

Plummer Blocks (Bearing Housings)
For Foundation Holes



FOR TWO HOLE (MS 1)



FOR FOUR HOLE (MS 2)

Housing Designation	Dimension For Two Hole Base (MS1)			Suitable Bolt Siz	Dimension For Four Hole Base (MS2)				Suitable Bolt Size
	J	N	N1		J1	J2	N2	N3	
SNL 511-609	210	24	18	M 16	210	35	20	15	M 12
SNL 512-610	210	24	18	M 16	210	35	20	15	M 12
SNL 513-611	230	24	18	M 16	230	40	20	15	M 12
SNL 515-612	230	24	18	M 16	230	40	20	15	M 12
SNL 516-613	260	28	22	M 20	260	50	24	18	M 16
SNL 517-614	260	28	22	M 20	260	50	24	18	M 16
SNL 518-615	290	28	22	M 20	290	54	24	18	M 16
SNL 519-616	290	28	22	M 20	290	54	24	18	M 16
SNL 520-617	320	32	26	M 24	320	60	24	18	M 16
SNL 522-619	350	32	26	M 24	350	70	24	18	M 16
SNL 524-620	350	32	26	M 24	350	70	24	18	M 16
SNL 526	380	35	28	M 24	380	70	28	22	M 20
SNL 528	420	42	35	M 30	420	80	32	26	M 24
SNL 530	450	42	35	M 30	450	90	32	26	M 24
SNL 532	470	42	35	M 30	470	90	32	26	M 24

RECOMMENDED TIGHTENING TORQUE FOR CAP BOLTS & FOUNDATION BOLTS FOR SNL



SNL 500-600 SERIES	SNL 200-300 SERIES	Values for Cap Bolts		Values for Foundation Bolts		Recommended Intial Grease Filled Quantity	
		Bolt Size	Tightening Torque Nm	Bolt Size	Tightening Torque Nm	First fill 40 % Gram	First fill 20 % Gram
SNL 505	SNL 205	M10x40	50	M12	80	25	15
SNL 506-605	SNL 206-305	M10x40	50	M12	80	40	25
SNL 507-606	SNL 207-306	M10x50	50	M12	80	50	30
SNL 508-607	SNL 208-307	M10x50	50	M12	80	60	35
SNL 509	SNL 209	M10x50	50	M12	80	65	40
SNL 510-608	SNL 210-308	M10x55	50	M12	80	75	45
SNL 511-609	SNL 211-309	M12x60	80	M16	200	100	60
SNL 512-610	SNL 212-310	M12x60	80	M16	200	150	90
SNL 513-611	SNL 213-311	M12x65	80	M16	200	180	110
SNL 515-612	SNL 215-312	M12x65	80	M20	385	230	140
SNL 516-613	SNL 216-313	M12x70	80	M20	385	280	170
SNL 517	SNL 217-314	M12x80	80	M20	385	330	200
SNL 518-615	SNL 218-315	M16x90	150	M20	385	430	260
SNL 519-616	SNL 219-316	M16x90	150	M20	385	480	300
SNL 520-617	SNL 220-317	M16x100	150	M24	385	630	390
SNL 522-619	SNL 222-319	M20x100	200	M24	665	850	530
SNL 524-620	SNL 224-320	M20x110	200	M24	665	1000	630
SNL 526	SNL 226	M24x130	350	M24	665	1100	700
SNL 528	SNL 228	M24x130	350	M30	1310	1400	900
SNL 530	SNL 230	M24x130	350	M30	1310	1700	1100
SNL 532	SNL 232	M24x130	350	M30	1310	2000	1300