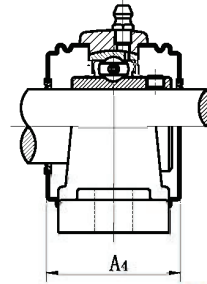
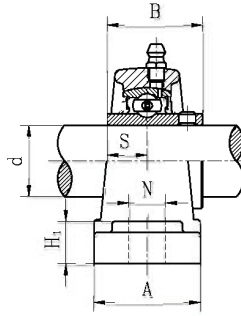
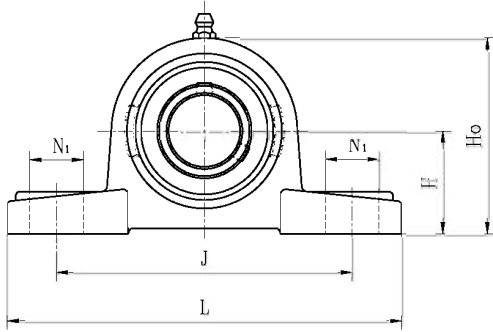




# PILLOW BLOCKS



UCP2  
Setscrew type

S-UCP200E1  
SM-UCP200E1  
With end cover

Unit No.	Shaft Dia.		Dimensions(mm).										Bolt Size	Bearing No.	Housing No.	Mass (kg)	Available		
	d (in.)	d (mm)	H	L	J	A	N	N <sub>1</sub>	H <sub>1</sub>	H <sub>0</sub>	S	B					A <sub>4</sub>	N	N <sub>1</sub>
UCP201S 201-8S 202S 202-10S 203S 203-11S	1/2	12	30.2	125	96	32	12	16	13	57	11.5	27.4	--	M10	UC201S 201-8S 202S 202-10S 203S 203-11S	P203S	0.53 0.52 0.51	--	--
	5/8	15																	
	11/16	17																	
	1/2	12																	
	5/8	15																	
UCP201 201-8 202 202-10 203 203-11	5/8	17	30.2	127	96	37	13	19	14	60.7	12.7	31	--	M10	UC201 201-8 202 202-10 203 203-11	P203	0.72 0.70 0.69	--	--
	11/16	17																	
	3/4	20																	
	7/8	15/16																	
UCP204-12 204	15/16	25	36.5	140	105	38	13	19	15	71	14.3	34	48	M10	UC204-12 204	P204	0.69	13	19
	1	25																	
	7/8	15/16																	
UCP205-14 205-15 205 205-16	1	25	36.5	140	105	38	13	19	15	71	14.3	34	48	M10	UC205-14 205-15 205 205-16	P205	0.82	--	--
	1-1/8	30																	
	1-3/16	30																	
	1-1/4	30																	
UCP206-18 206 206-19 206-20	1-1/4	35	47.6	167	126	48	15	19	17	93	17.5	42.9	59	M12	UC206-18 206 206-19 206-20	P206	1.22	17	21
	1-5/16	35																	
	1-3/8	35																	
	1-7/16	35																	
	1-1/2	40																	
UCP207-20 207-21 207-22 207 207-23	1-1/2	40	49.2	180	136	52	15	21	18	100	19	49.2	68	M12	UC207-20 207-21 207-22 207 207-23	P207	1.61	17	21
	1-9/16	40																	
	1-5/8	45																	
	1-11/16	45																	
UCP208-24 208-25 208	1-3/4	45	54	190	146	54	15	21	20	108	19	49.2	70	M12	UC208-24 208-25 208	P208	1.99	17	23
	1-7/8	50																	
	1-15/16	50																	
UCP209-26 209-27 209-28 209	1-15/16	50	57.2	204	159	57	19	22	21	114	19	51.6	75	M16	UC209-26 209-27 209-28 209	P209	2.36	17	23
	2	55																	
	2-1/8	55																	
	2-3/16	55																	
	2-1/4	60																	
UCP210-30 210-31 210	2-1/4	60	69.9	238	186	66	19	25	24	138	25.4	65.1	91	M16	UC210-30 210-31 210	P210	2.73	--	--
	2-3/8	60																	
	2-7/16	60																	
	2-1/2	65																	
UCP211-32 211-34 211 211-35	2-3/8	60	76.2	262	203	70	23	29	26	151	25.4	65.1	98	M20	UC211-32 211-34 211 211-35	P211	3.42	--	--
	2-1/4	65																	
	2-3/4	70																	
UCP212-36 212 212-38 212-39	2-3/4	70	79.4	266	210	72	23	29	27	157	30.2	74.6	--	M20	UC212-36 212 212-38 212-39	P212	4.66	--	--
	2-1/2	65																	
	2-3/4	70																	
	3	75																	
UCP213-40 213	3	75	82.6	274	217	74	25	29	28	164	33.3	77.8	--	M20	UC213-40 213	P213	5.95	25	29
	2-3/4	70																	
UCP214-44 214	2-3/4	70	79.4	266	210	72	23	29	27	157	30.2	74.6	--	M20	UC214-44 214	P214	6.56	25	29
	3	75																	
UCP215 215-48	3	75	82.6	274	217	74	25	29	28	164	33.3	77.8	--	M20	UC215 215-48	P215	7.43	--	--
	80	88.9																	
UCP216	80	88.9	88.9	292	232	78	25	30	30	175	33.3	82.6	--	M20	UC216	P216	8.83	--	--
	3-1/4	85																	
UCP217-52 217	3-1/4	85	95.2	310	247	83	25	30	32	187	34.1	85.7	--	M20	UC217-52 217	P217	10.8	--	--
	3-1/2	90																	
UCP218-56 218	3-1/2	90	101.6	326	262	88	27	30	33	200	39.7	96	--	M22	UC218-56 218	P218	12.8	27	33
	4	100																	
UCP220 220-64	4	100	115	380	305	95	30	36	40	225	42	108	--	M24	UC220 220-64	P220	26.3	--	--
	85	95.2																	

Note: Grease fittings can locate at 45° position of housings front right side.