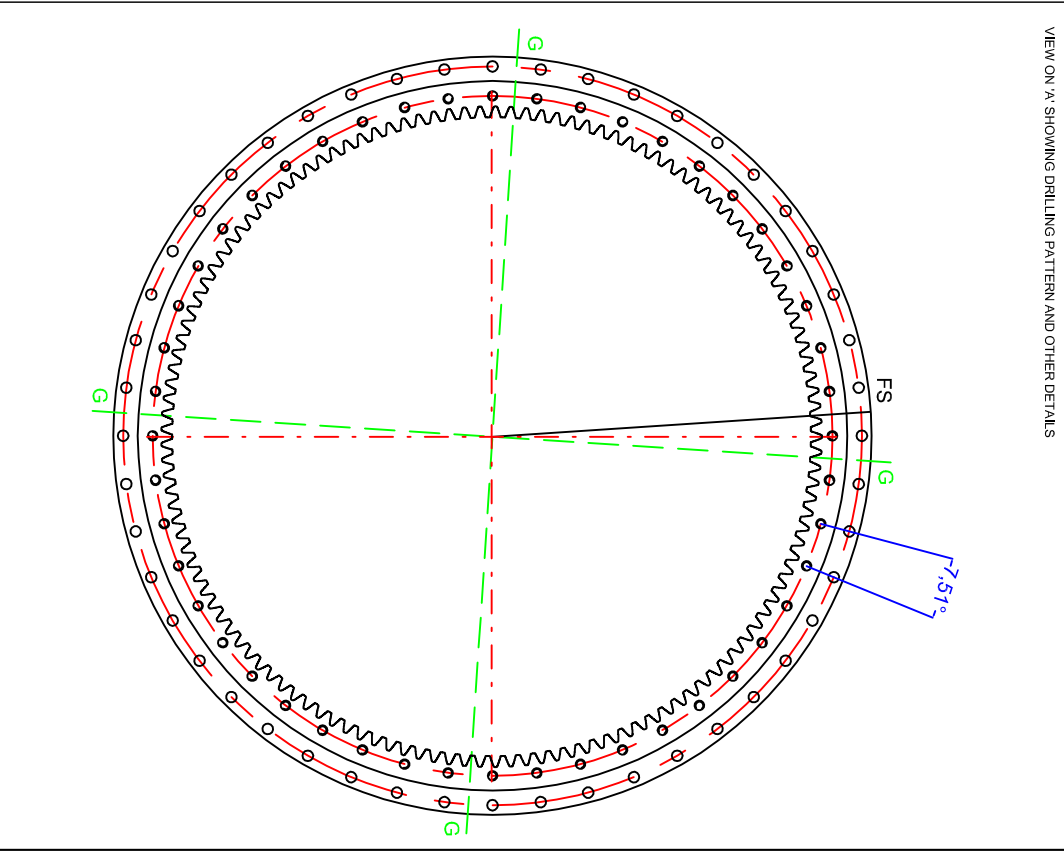
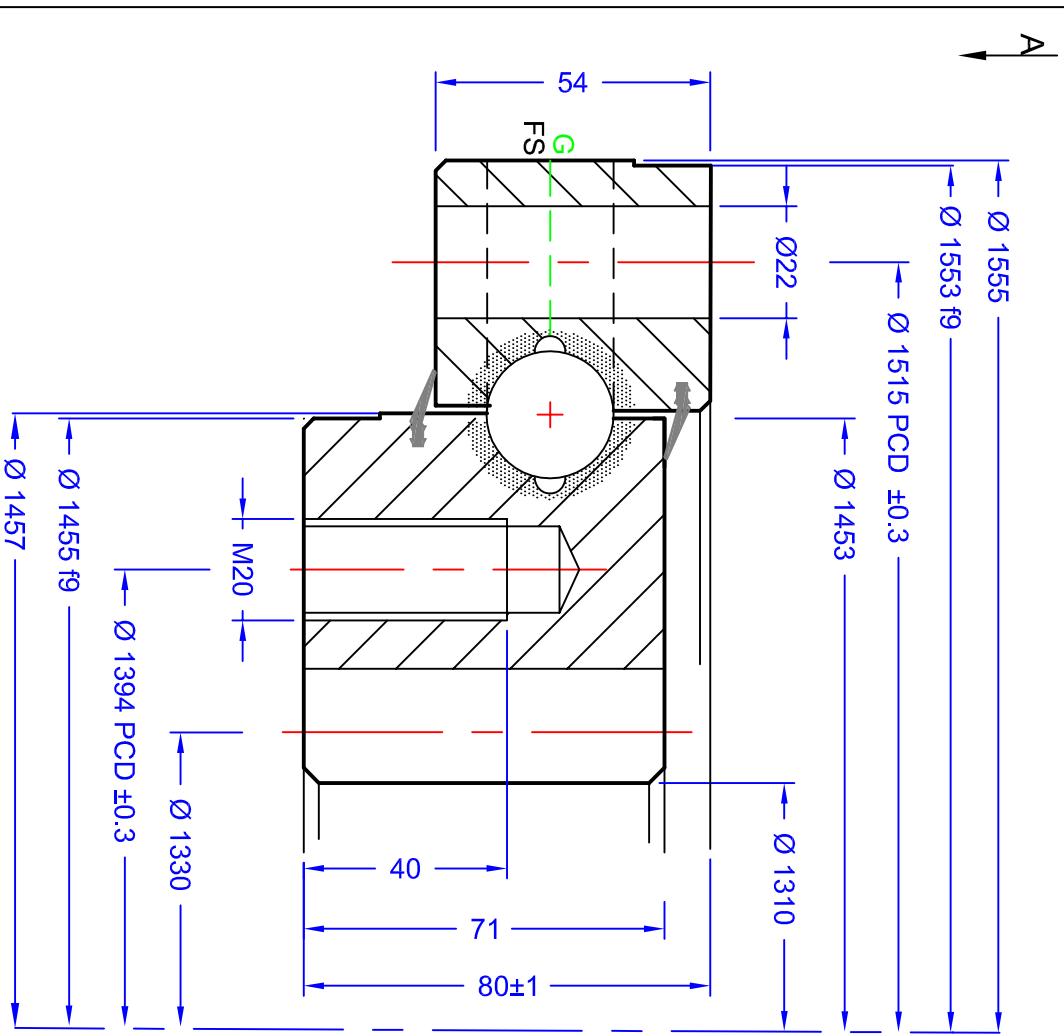


GEN. TOLERANCES		0.5 - 6	±0.1	6 - 30	±0.2	30 - 120	±0.3	120 - 315	±0.5	315 - 1000	±0.8	1000 - 2000	±1.2	2000 - 4000	±2	4000 - 8000	±3
GEN. MACHINING	√	0.4	√	1.6	√	3.2	√	6.3	√	12.6	√	25 ROUGH	√		√		



GEAR DATA	SPUR	WORM	HELICAL
	NO	MODULE (m)	10
HARDED GEAR	NO	NUMBER OF TEETH (z)	133
ADDENDUM COEFFICIENT (ka)	0	PRESSURE ANGLE (α)	20°
PROFILE CORRECTION (km)	0	ADDENDUM COEFFICIENT (ka)	0
TRUNCATION (km)	0	ADDENDUM COEFFICIENT (ka)	0
MEASUREMENT ON K TEETH	1330 mm	ADDENDUM COEFFICIENT (ka)	0
RUNOUT NOT HARDED/HARDED		ADDENDUM COEFFICIENT (ka)	0

BOLT DATA		INNER	48 =	MOUNTING HOLES	M20	AXIAL PLAY	0.15-0.35 mm
		OUTER	48 =	MOUNTING HOLES	Ø 22	RADIAL PLAY	0.15-0.35 mm
		GREASE HOLES	G'	4 X M8			
		LOADING PLUG	FS'	SOFT ZONE	R'		
		SEAL SIZE	TBA				

REV	DATE	MODIFICATION	REVISED BY
1			

QCB
Bearings

SLEWING
RINGS &
DRIVES

Imported by NBC Group Ltd
Orleton Lane, Wellington, Telford, TF1 2BG, UK
P: 01962 222300 F: 01962 242938
www.nbcgroup.co.uk

SIG 1555 25 01 AA LM

QCB is a registered trademark of NBC Group Ltd
QCB RS 11/2016

DATE: 02/02/2016
DRAWN: LW
CHECKED: LLM