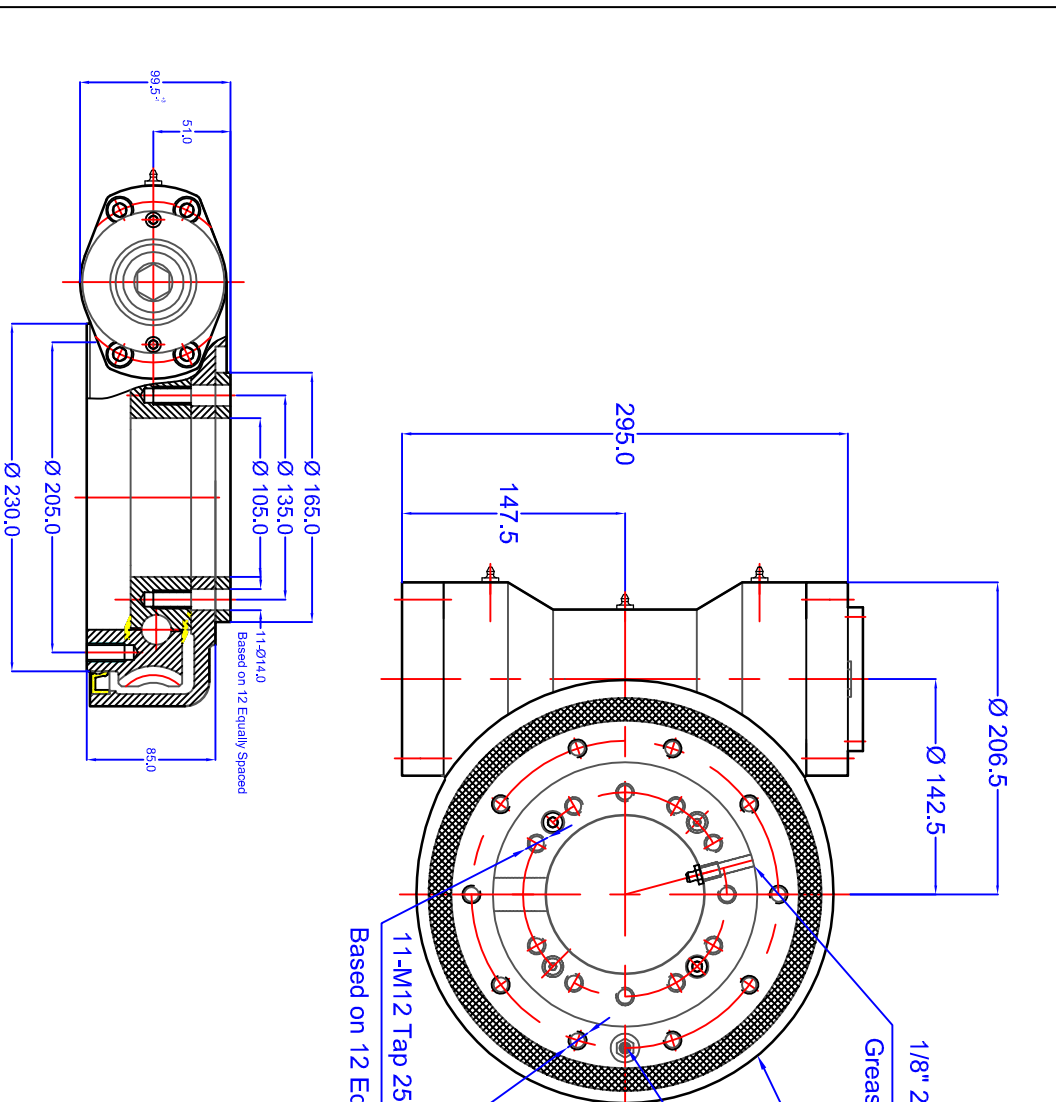
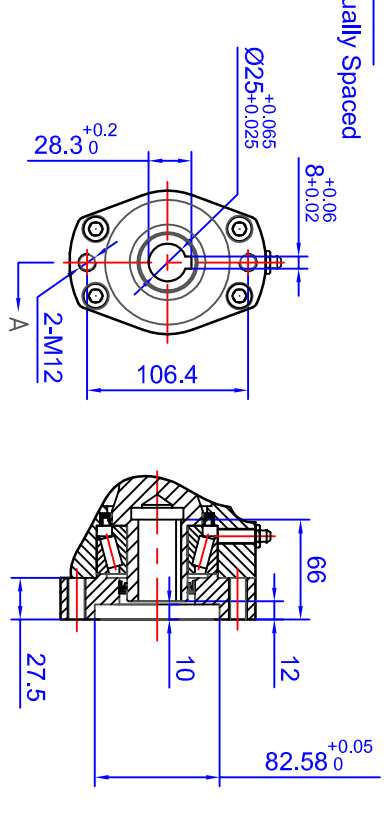
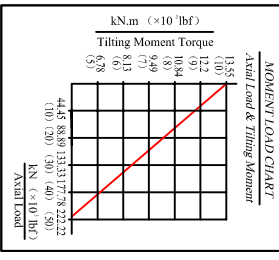


GEN. TOLERANCES	0.5 - 6	±0.1	6 - 30	±0.2	30 - 120	±0.3	120 - 315	±0.5	315 - 1000	±0.8	1000 - 2000	±1.2	2000 - 4000	±2	4000 - 8000	±3
GEN. MACHINING	0.4	▽	1.6	▽	3.2	▽	6.3	▽	12.6	▽	25 ROUGH	▽				



Worm Drive Performance Data	
Rated Output Speed	< 2.5 rpm
Output Torque (Max.)	3.5 kN.m / 2583 lbf.ft
Tilting Moment Torque (Max.)	13.5 kN.m / 10×10 lbf.ft
Holding Torque	20 kN.m / 14.8×10 lbf.ft
Axial Load (Max.)	210 kN / 47.2×10 lbf
Radial Load (Max.)	85 kN / 19.1×10 lbf
Ratio of Worm Gear	47:1
Backlash	≤ 0.15°
Efficiency	30%



GEAR DATA	SPUR	WORM	HELICAL
	WORM GEAR RATIO	90:1	
OUTPUT TORQUE	28.7 kNm		
HOLDBACK TORQUE	20 kNm		
RATED OUTPUT SPEED	< 2.5 rpm		
TRACKING PRECISION	≤ 0.2°		
MAXIMUM MOMENT LOAD			
MAXIMUM LOADS			
LOADING PLUG			
SEAL SIZE			

BOLT DATA

INNER	12-1 =	MOUNTING HOLES	M12CS14
OUTER	10 =	MOUNTING HOLES	M12
GREASE HOLES	G'		
LOADING PLUG	FS'		

REV	DATE	MODIFICATION	REVISION BY
A			

QCB® is a registered trademark of NBC Group Ltd

Orleton Lane, Wellington, Telford, TF1 2BG, UK
P: 01962 222300 F: 01962 242938
www.nbcgroup.co.uk

DRAWN:	LJM
DATE:	12/07/2016
CHECKED:	LJM

WGWEA 7 47 25 HR