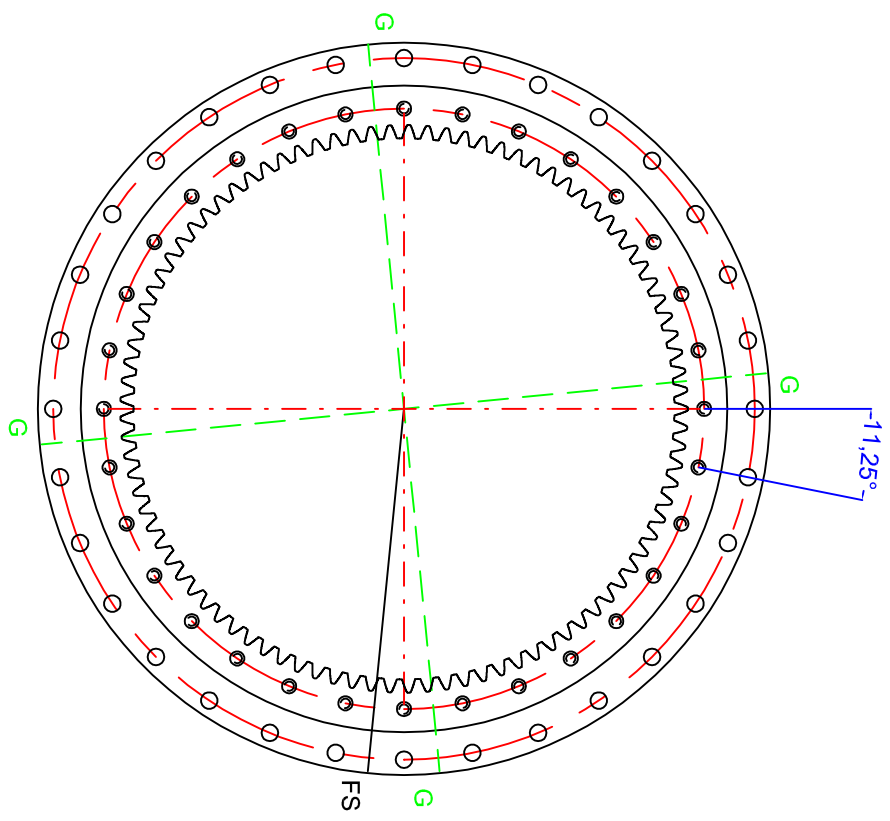
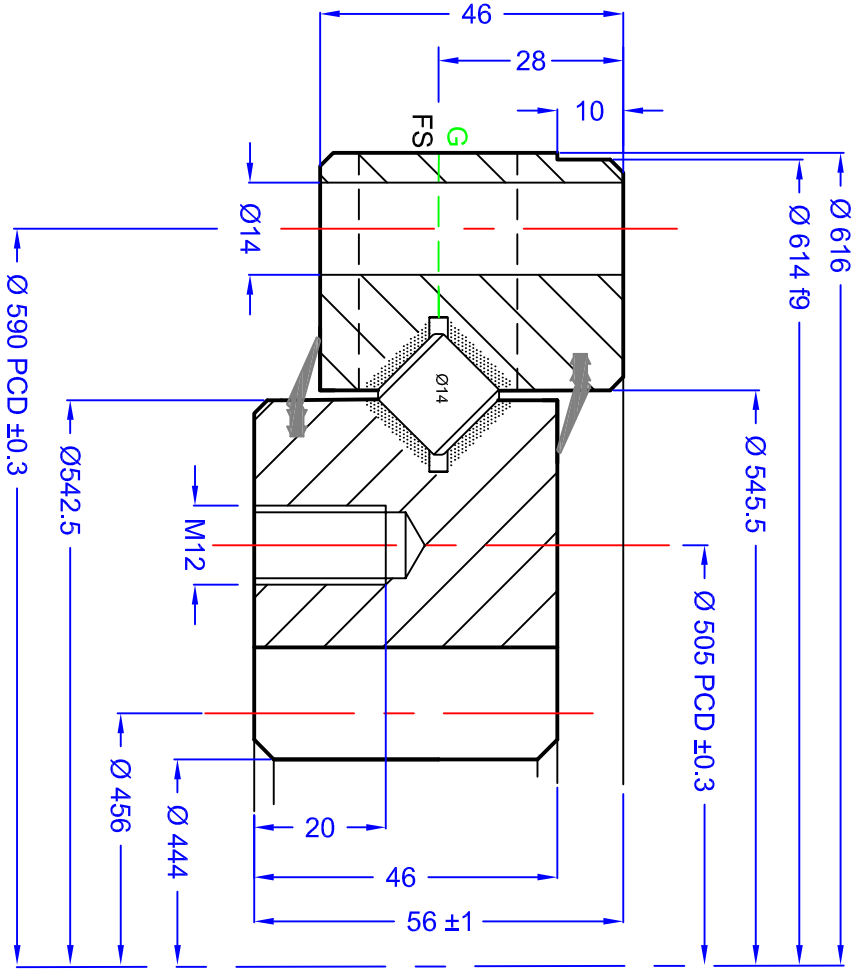


GEN. TOLERANCES	0.5 - 6	±0.1	6 - 30	±0.2	30 - 120	±0.3	120 - 315	±0.5	315 - 1000	±0.8	1000 - 2000	±1.2	2000 - 4000	±2	4000 - 8000	±3
GEN. MACHINING	0.4	0.4	1.6	1.6	3.2	3.2	6.3	6.3	12.6	25	25	25	25	25	25	25

A



VIEW ON 'A' SHOWING DRILLING PATTERN AND OTHER DETAILS

GEAR DATA

HARDED GEAR	NO	WORM	HELICAL	Designed in accordance with designated QCB SLEWING RING STANDARDS											
NUMBER OF TEETH (z)	76	MODULE (m)	6	Non toleranced dimensions to ISO 2768-1 m											
ADDENDUM COEFFICIENT (x)	20°	DP		All burrs and sharp edges to be removed; Standard corner chamfer 1mm x 45°											
ADDENDUM COEFFICIENT (x)	0	DP		Internal radial and axial clearance figures to QCB standard 2014 or revisions thereof											
PROFILE CORRECTION (km)	0	DP		The HARPENESS GAP is to be indicated by stamped letter 'R' or a PAINT mark on the exterior surface											
TRUNCATION (km)	0	CALCULATED GEAR STRENGTH		The high point of gear eccentricity to be indicated by GREEN or BLUE paint on 3 teeth											
PITCH CIRCLE DIAMETER	456 mm	INNER	KN	BOLT DATA											
MEASUREMENT ON K TEETH	mm	OUTER	KN	INNER											
RUNOUT NOT HARDED/HARDED	mm	GREASE HOLES	KN	32 =											
		LOADING PUG	KN	MOUNTING HOLES											
			KN	Ø 14											
			KN	MATERIAL											
			KN	42C/Ni04 Q&T											
			KN	WEIGHT											
			KN	42 Kg (est)											
			KN	AXIAL PLAY											
			KN	0.10-0.22 mm											
			KN	RADIAL PLAY											
			KN	0.10-0.22 mm											
			KN	TURNING TORQUE											
			KN	Nm											
			KN	MATERIAL											
			KN	42C/Ni04 Q&T											
			KN	WEIGHT											
			KN	42 Kg (est)											
			KN	AXIAL PLAY											
			KN	0.10-0.22 mm											
			KN	RADIAL PLAY											
			KN	0.10-0.22 mm											

BOLT DATA

INNER	32 =	MOUNTING HOLES	M12	TURNING TORQUE	Nm
OUTER	32 =	MOUNTING HOLES	Ø 14	MATERIAL	42C/Ni04 Q&T
GREASE HOLES	'G'	4 X M8	WEIGHT	42 Kg (est)	
LOADING PUG	'FS'	SOFT ZONE	'R'		
SEAL SIZE	TBA				

REV	DATE	MODIFICATION	REVISED BY
1			

QCB Bearings

SLEWING RINGS & DRIVES

Imported by NBC Group Ltd

Orelton Lane, Wellington, Telford, TF1 2BG, UK

P: 01962 222300 F: 01962 242938

www.nbcgroup.co.uk

QCB® is a registered trademark of NBC Group Ltd

SIG 616 X14 01 AA LM

QCB RS 11/2016

DATE: 04/01/2016

CHECKED: LM

© NBC GROUP LTD. NOT TO BE COPIED WITHOUT PERMISSION