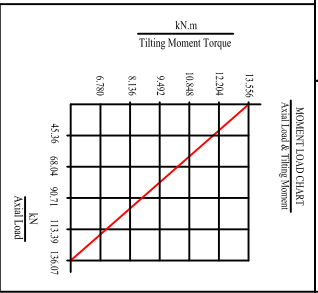
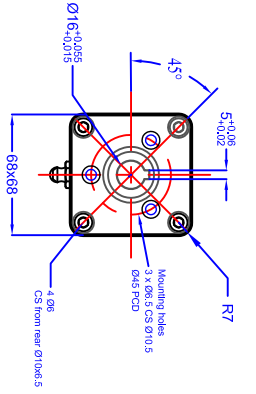
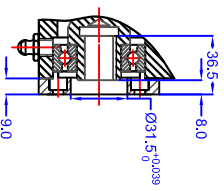
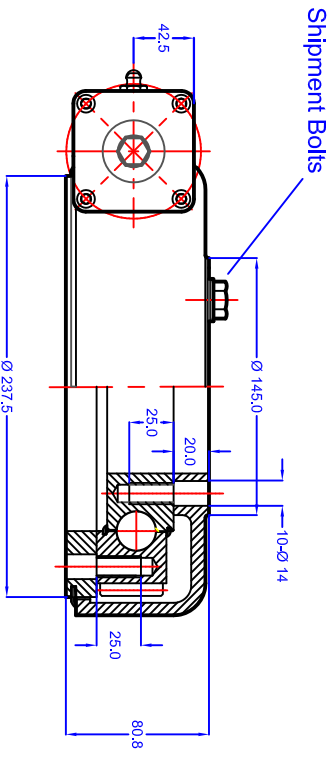
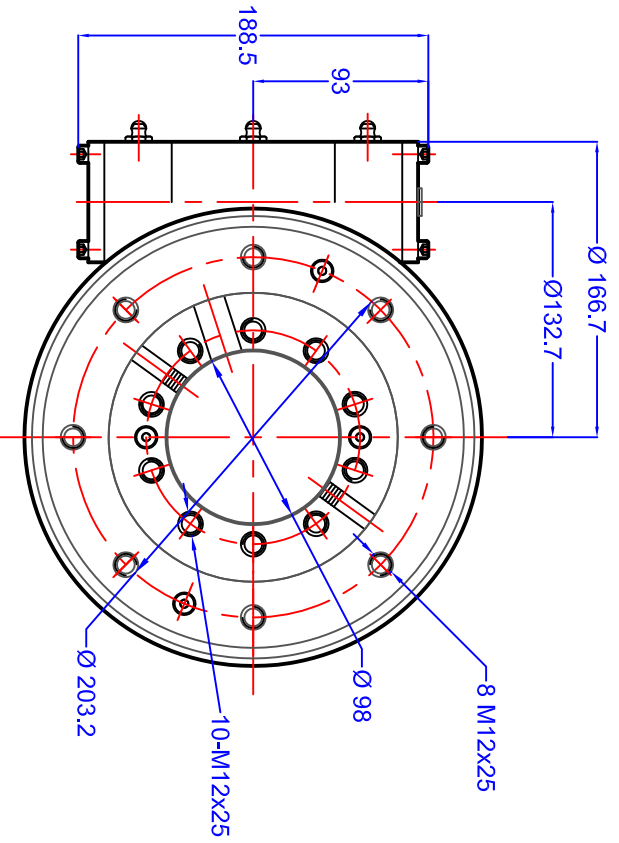


|                 |         |      |        |      |          |      |           |      |            |      |             |      |             |    |             |    |
|-----------------|---------|------|--------|------|----------|------|-----------|------|------------|------|-------------|------|-------------|----|-------------|----|
| GEN. TOLERANCES | 0.5 - 6 | ±0.1 | 6 - 30 | ±0.2 | 30 - 120 | ±0.3 | 120 - 315 | ±0.5 | 315 - 1000 | ±0.8 | 1000 - 2000 | ±1.2 | 2000 - 4000 | ±2 | 4000 - 8000 | ±3 |
| GEN. MACHINING  | 0.4     | 0.4  | 1.6    | 1.6  | 3.2      | 3.2  | 6.3       | 6.3  | 12.6       | 12.6 | 25          | 25   | 25          | 25 | 25          | 25 |



| Slewing Drive Performance Data |           |
|--------------------------------|-----------|
| Gear Ratio                     | 73:1      |
| Rated Output Torque            | 1000 N.m  |
| Output Torque □Max. □          | 1300 N.m  |
| Tilting Moment Torque □Max. □  | 13.5 kN.m |
| Holdback Torque                | 10.4 kN.m |
| Axial Load □Max. □             | 136 kN    |
| Self Locking Gears             | Yes       |

**DESIGNED IN ACCORDANCE WITH DESIGNATED QCB SLEWING RING STANDARDS**  
 Non toleranced dimensions to ISO 2768-1 m  
 All burrs and sharp edges to be removed. Standard corner chamfer 1mm x 45°  
 Internal radial and axial clearance figures to QCB standard 2014 or revisions thereof  
 The HARMLESS GAP is to be indicated by stamped letter R or a PAINT mark on the exterior surface  
 The flight point of gear eccentricity to be indicated by GREEN or BLUE paint on 3 teeth

| BOLT DATA    |      |
|--------------|------|
| INNER        | 10 = |
| OUTER        | 8 =  |
| GREASE HOLES | 10 = |
| LOADING PLUG | IFS  |
| SEAL SIZE    | TBA  |

| GEAR DATA           | SPUR      | WORM | HELICAL |
|---------------------|-----------|------|---------|
| WORM GEAR RATIO     | 73:1      |      |         |
| OUTPUT TORQUE       | 1.4 kNm   |      |         |
| HOLDBACK TORQUE     | 10.4 kNm  |      |         |
| RATED OUTPUT SPEED  | < 2.5 rpm |      |         |
| TRACKING PRECISION  | ± 0.2°    |      |         |
| MAXIMUM LOADS       |           |      |         |
| MAXIMUM MOMENT LOAD |           |      |         |

© NBC GROUP LTD. NOT TO BE COPIED WITHOUT PERMISSION

REVISED BY

DATE

12/07/2016

CHECKED: LJM

OCB or NBC DRAWING NUMBER

**WGSE 7 73 16 HR ##1**

OCB RS 11/2016

Imported by NBC Group Ltd

Orleton Lane, Wellington, Telford, TF1 2BG, UK

P: 01952 222300 F: 01952 242938

www.nbcgroup.co.uk

OCB or NBC DRAWING NUMBER

**WGSE 7 73 16 HR ##1**

OCB RS 11/2016

Imported by NBC Group Ltd

Orleton Lane, Wellington, Telford, TF1 2BG, UK

P: 01952 222300 F: 01952 242938

www.nbcgroup.co.uk

OCB or NBC DRAWING NUMBER

**WGSE 7 73 16 HR ##1**

OCB RS 11/2016

Imported by NBC Group Ltd

Orleton Lane, Wellington, Telford, TF1 2BG, UK

P: 01952 222300 F: 01952 242938

www.nbcgroup.co.uk



SLEWING RINGS & DRIVES

Orleton Lane, Wellington, Telford, TF1 2BG, UK

P: 01952 222300 F: 01952 242938

www.nbcgroup.co.uk

|          |            |
|----------|------------|
| DRAWN:   | LJM        |
| DATE:    | 12/07/2016 |
| CHECKED: | LJM        |