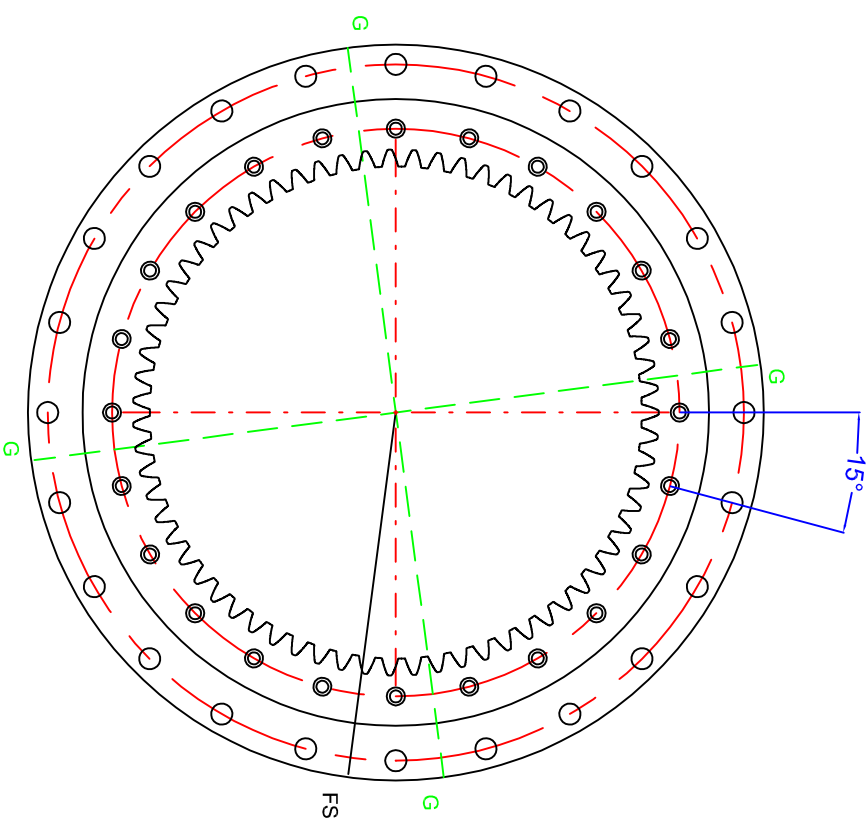
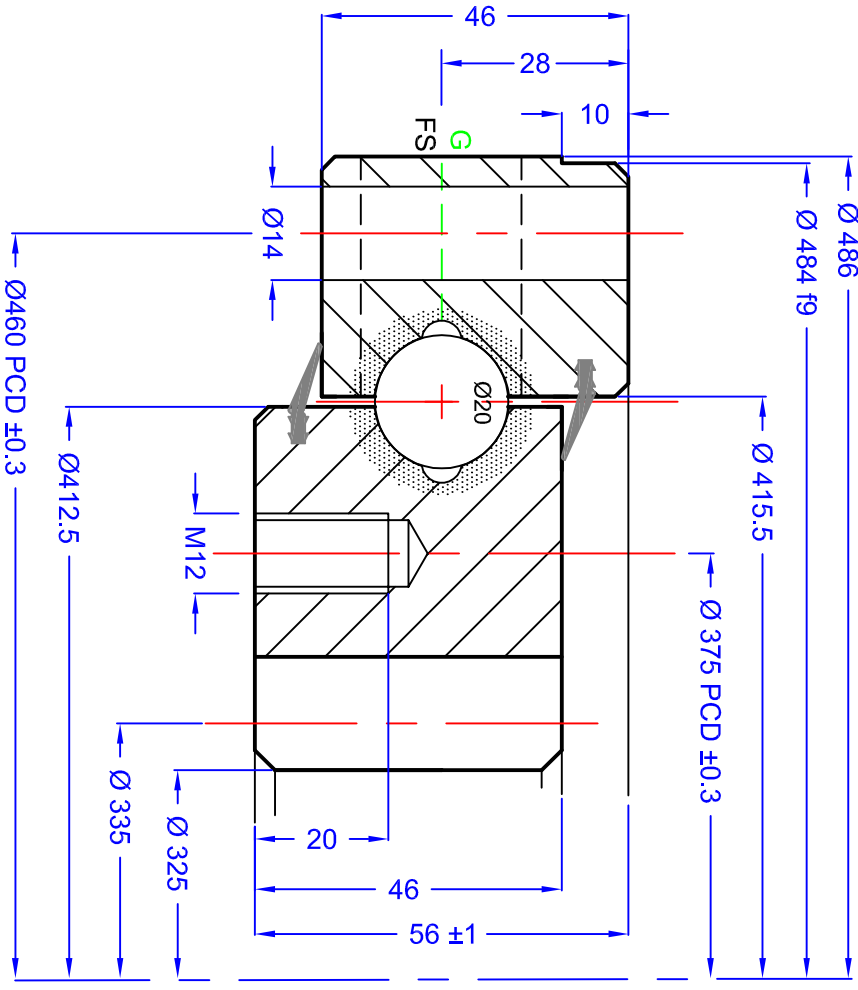
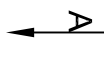


GEN. TOLERANCES		0.5 - 6	±0.1	6 - 30	±0.2	30 - 120	±0.3	120 - 315	±0.5	315 - 1000	±0.8	1000 - 2000	±1.2	2000 - 4000	±2	4000 - 8000	±3
GEN. MACHINING	√	0.4	√	1.6	√	3.2	√	6.3	√	12.6	√	25 ROUGH	√		√		



VIEW ON 'A' SHOWING DRILLING PATTERN AND OTHER DETAILS

GEAR DATA

SPUR	WORM	HELICAL
NO	NO	5
67	MODULE (m)	5
20°	DP	
0	ADDENDUM COEFFICIENT (a)	
0	PROFILE CORRECTION (x _m)	
0	TRUNCATION (x _m)	
335 mm	PIITCH CIRCLE DIAMETER	
mm	MEASUREMENT ON K TEETH	
mm	RUNOUT NOT HARDBEN/HARDBENED	

BOLT DATA

INNER	24 =	MOUNTING HOLES	M12	AXIAL PLAY	0.07-0.17 mm
OUTER	24 =	MOUNTING HOLES	Ø 14	RADIAL PLAY	0.07-0.17 mm
GREASE HOLES	'G'	4 X M8		TURNING TORQUE	Nm
LOADING PLUG	'FS'			MATERIAL	42CrMo4 Q&T
SEAL SIZE	TBA			WEIGHT	31 kg (68lb)
				REPT OF (ASSEMBLY/ISSUES)	

REV	DATE	MODIFICATION	REVISED BY
1			



SLEWING RINGS & DRIVES

Imported by NBC Group Ltd
 Orleton Lane, Wellington, Telford, TF1 2BG, UK
 P: 01962 222300 F: 01962 242938
 www.nbcgroup.co.uk

SIG 486 20 01 AA LM

DRAWN:	LW
DATE:	04/01/2016
CHECKED:	LM

© NBC GROUP LTD. NOT TO BE COPIED WITHOUT PERMISSION

QCB® is a registered trademark of NBC Group Ltd
 QCB RS 11/2016