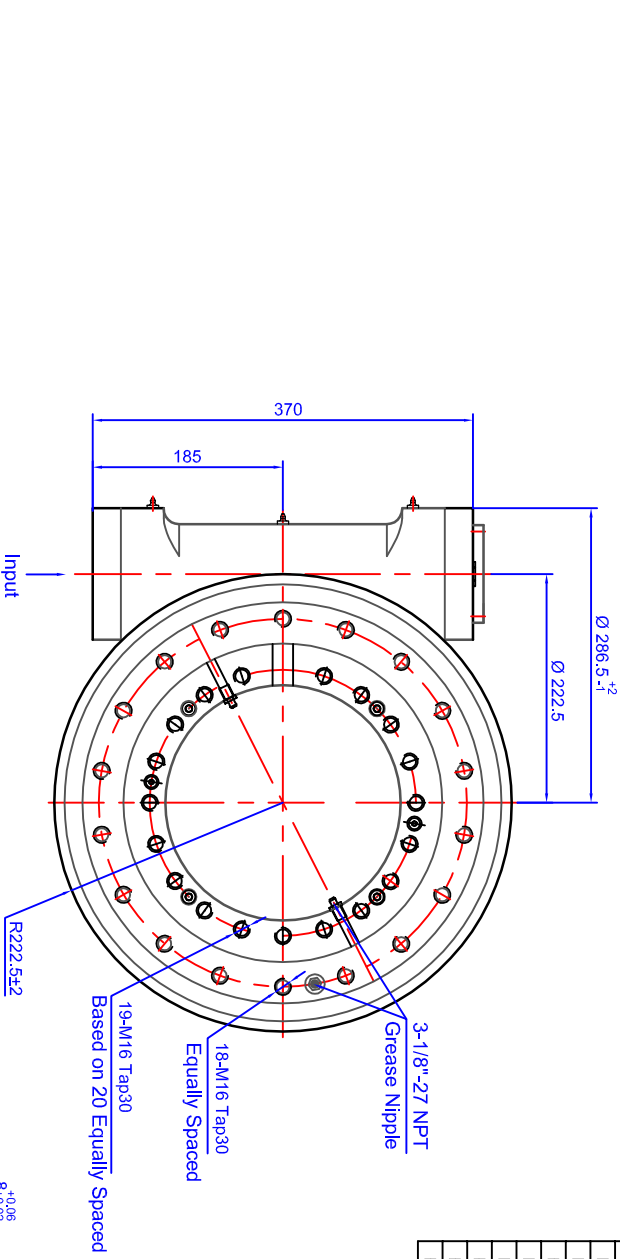
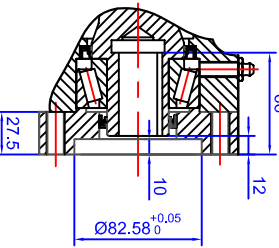
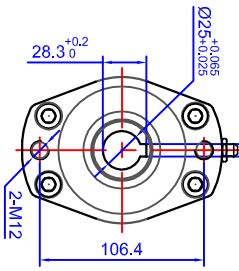
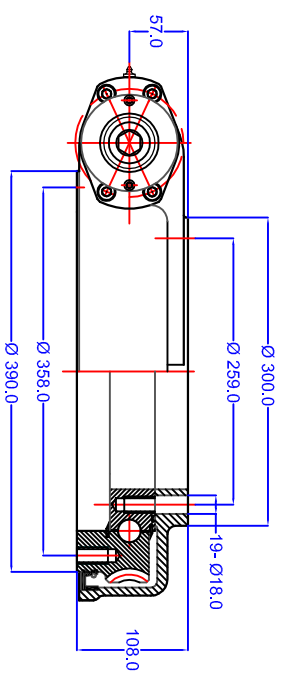
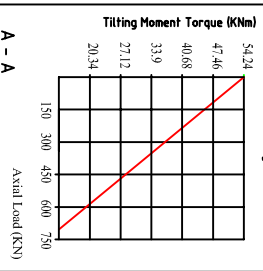


| | | | | | | | | | | | | | | | | |
|-----------------|---------|------|--------|------|----------|------|-----------|------|------------|------|-------------|------|-------------|----|-------------|----|
| GEN. TOLERANCES | 0.5 - 6 | ±0.1 | 6 - 30 | ±0.2 | 30 - 120 | ±0.3 | 120 - 315 | ±0.5 | 315 - 1000 | ±0.8 | 1000 - 2000 | ±1.2 | 2000 - 4000 | ±2 | 4000 - 8000 | ±3 |
| GEN. MACHINING | 0.4 | ▽ | 1.6 | ▽ | 3.2 | ▽ | 6.3 | ▽ | 12.6 | ▽ | 25 ROUGH | ▽ | | ▽ | | ▽ |



| Worm Drive Performance Data | |
|-----------------------------|--------------------------|
| Rated Output Speed | < 2.5 rpm |
| Max Output Torque | 9.5 kNm / 7011 lbf.ft |
| Max Tilting Moment Torque | 54.3 kNm / 400x10 lbf.ft |
| Holding Torque | 4.3 kNm / 31.7x10 lbf.ft |
| Max Axial Load | 725 kN / 163x10 lbf |
| Max Radial Load | 270 kN / 60.8x10 lbf |
| Ratio of Worm Gear | 79:1 |
| Backlash | < 0.15 ° |
| Efficiency | 4.0% |



| GEAR DATA | SPUR | WORM | HELICAL |
|---------------------|-----------------|-------|---------|
| | WORM GEAR RATIO | 79:1 | |
| OUTPUT TORQUE | 9.5 kNm | | |
| HOLDBACK TORQUE | 4.3 kNm | | |
| RATED OUTPUT SPEED | < 2.5 rpm | | |
| TRACKING PRECISION | ≠ < 0.17° | | |
| MAXIMUM MOMENT LOAD | | | |
| | INNER | OUTER | |
| | 20-1 = | 18 = | |
| | G' = | FS' = | |
| | SEAL SIZE | TBA | |

Designed in accordance with designated QCB SLEWING RING STANDARDS
 Non toleranced dimensions to ISO 2768-1 m
 All burrs and sharp edges to be removed. Standard corner chamfer 1mm x 45°
 Internal radial and axial clearance figures to QCB standard 2014 or revisions thereof
 The HARDNESS GAP is to be indicated by stamped letter R or a PAINT mark on the exterior surface
 The high point of gear eccentricity to be indicated by GREEN or BLUE paint on 3 teeth

| REV | DATE | MODIFICATION | REVISED BY |
|-----|------|--------------|------------|
| A | | | |

QCB
Bearings

SLEWING
RINGS &
DRIVES

Orleton Lane, Wellington, Telford, TF1 2BG, UK
 P: 01962 222300 F: 01962 242938
 www.nbogroup.co.uk

DRAWN: LLM
 DATE: 12/07/2016
 CHECKED: LLM

WGWEA 12 79 25 HR

QCB® is a registered trademark of NBC Group Ltd
 QCB RS 11/2016