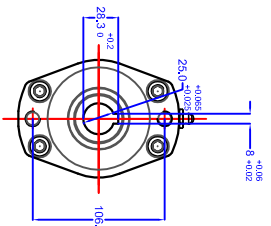
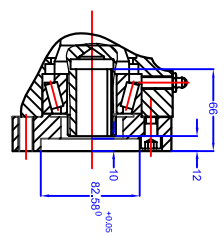
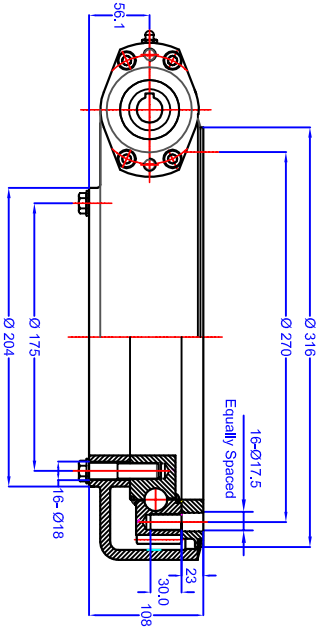
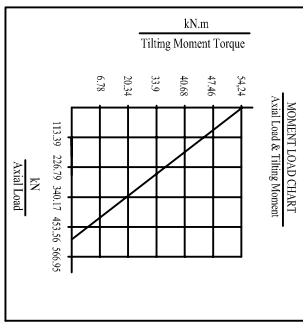
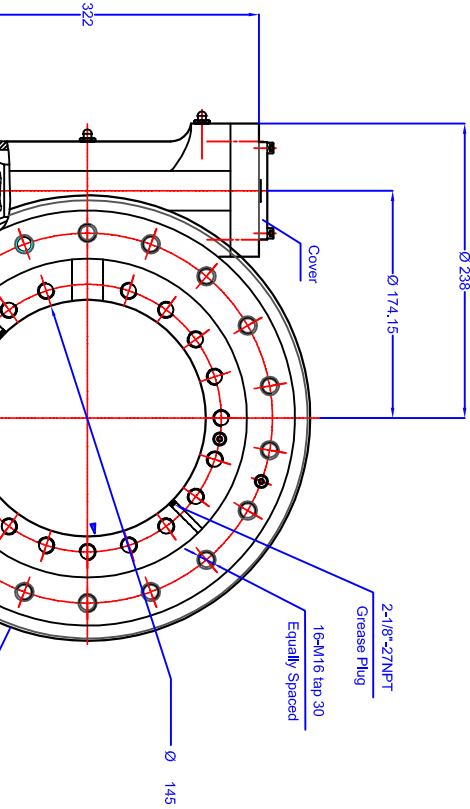


GEN. TOLERANCES	▽	0.5 - 6	±0.1	6 - 30	±0.2	30 - 120	±0.3	120 - 315	±0.5	315 - 1000	±0.8	1000 - 2000	±1.2	2000 - 4000	±2	4000 - 8000	±3
GEN. MACHINING	▽	0.4	▽	1.6	▽	3.2	▽	6.3	▽	12.6	▽	25 ROUGH	▽		▽		

Gear Ratio	61:1
Rated Output Torque	6.5 kNm
Output Torque (Max.)	33.9 kNm
Tilting Moment Torque (Max.)	38.7 kNm
Holding Torque	338 kN
Axial Load (Max.)	Yes
Self Locking Gears	Yes
Weight	49 kg



GEAR DATA	SPUR	WORM	HELICAL
-----------	------	------	---------

WORM GEAR RATIO	61:1
OUTPUT TORQUE	6.5 kNm
HOLDBACK TORQUE	38.7 kNm
RATED OUTPUT SPEED	< 2.5 rpm
TRACKING PRECISION	≠ < 0.17°

BOLT DATA

INNER	16-1 =	MOUNTING HOLES	M16 CS18
OUTER	16 =	MOUNTING HOLES	M16 CS17.5
GREASE HOLES	G'		3/8" X27 NPT
LOADING PLUG	FS	SOFT ZONE	R'
		SEAL SIZE	TBA

Designed in accordance with designated QCB SLEWING RING STANDARDS
 Non toleranced dimensions to ISO 2768-1 m
 All burrs and sharp edges to be removed. Standard corner chamfer 1mm x 45°
 Internal radial and axial clearance figures to QCB standard 2014 or revisions thereof.
 The HARDNESS GAP's to be indicated by stamped letter R or a PAINT mark on the exterior surface
 The high point of gear eccentricity to be indicated by GREEN or BLUE paint on 3 teeth

MAXIMUM MOMENT LOAD	
MAXIMUM TORQUES	
TRACKING PRECISION	
RATED OUTPUT SPEED	
HOLDBACK TORQUE	
OUTPUT TORQUE	
WORM GEAR RATIO	

AXIAL PLAY	
ROTATIONAL PLAY	
TURNING TORQUE	
MATERIAL	
WEIGHT	49 kg
mm	

QCB Bearings SLEWING RINGS & DRIVES

Orleton Lane, Wellington, Telford, TF1 2BG, UK
 P: 01962 222300 F: 01962 242938
 www.nbogroup.co.uk

QCB® is a registered trademark of NBC Group Ltd

REV	DATE	MODIFICATION	REVISED BY
A			

© NBC GROUP LTD. NOT TO BE COPIED WITHOUT PERMISSION

WGSE 9 61 25 HR

QCB RS 11/2016

DRAWN:	LJM
DATE:	12/07/2016
CHECKED:	LJM